



*AVAILABLE AT
DIGITAL CINEMA*

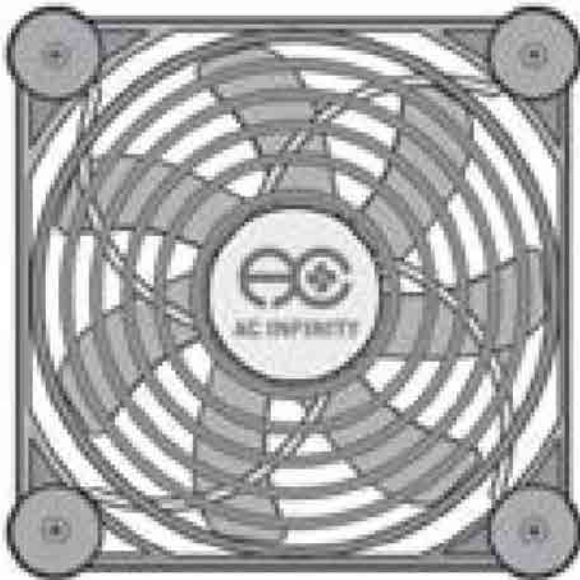


MULTIFAN SERIES

COMPONENT USB COOLING FAN

USER MANUAL

Thank you for choosing AC Infinity. We are committed to product quality and friendly customer service. If you have any questions or concerns, please don't hesitate to contact us. Visit www.acinfinity.com and click [contact](#).



EMAIL

support@acinfinity.com

WEB

www.acinfinity.com

LOCATION

Los Angeles, California

MANUAL CODE MF1606X1

PRODUCT

MULTIFAN S1
MULTIFAN S2
MULTIFAN S3
MULTIFAN S4
MULTIFAN S5
MULTIFAN S7

MODEL

AI-MPF80A
AI-MPB140A
AI-MPF120A
AI-MPF140A
AI-MPF80A2
AI-MPF120A2

UPC-A

854759004327
854759004495
854759004310
854759004365
854759004334
854759004341

MANUAL INDEX

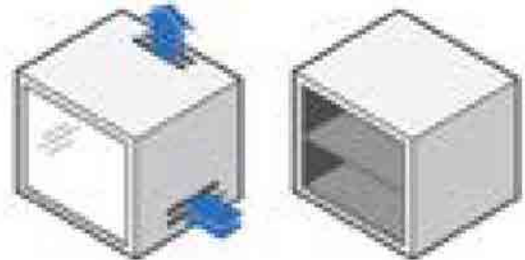
Manual Index	Page 5
Product Requirements	Page 6
Key Features	Page 7
Product Contents	Page 8
Silicone Feet	Page 9
Powering	Page 11
Speed Controller	Page 12
Adding More Units	Page 13
Applications	Page 14
AC Infinity Products	Page 16
Warranty	Page 17

PRODUCT REQUIREMENTS

The MULTIFAN series is designed to cool various AV components by accelerating the intake of cool air and outtake of heat. Please make sure that the following requirements are met to ensure the cooling system will work effectively.

FULLY ENCLOSED CABINETS

The USB cooling fans are not compatible with fully enclosed cabinets. Air must be able to travel in and out of the cabinet. Please make sure that your cabinet has ventilation holes or is open at the front or back.



REAR EXHAUST MODELS

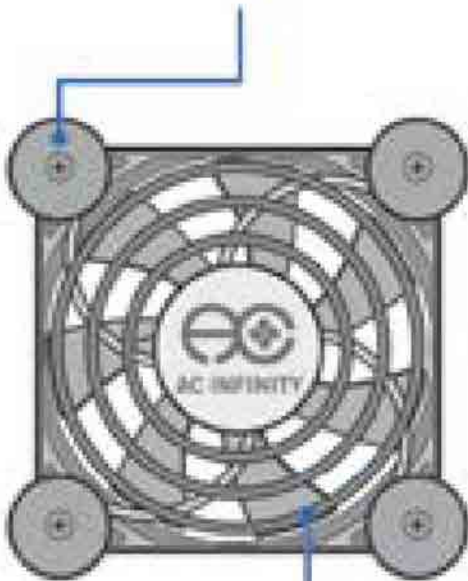
For the MULTIFAN S2 blower, the cabinet's ventilation holes should be at the rear. The hot air that the USB blower is exhausting should be directed out of the cabinet through its rear holes.



KEY FEATURES

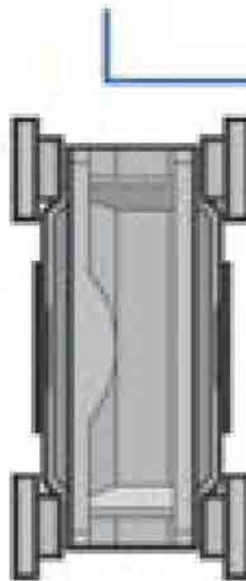
ANTI-VIBRATION SILICONE

Specially designed rubber feet helps keep the noise level down when the fan is vibrating against a hard surface



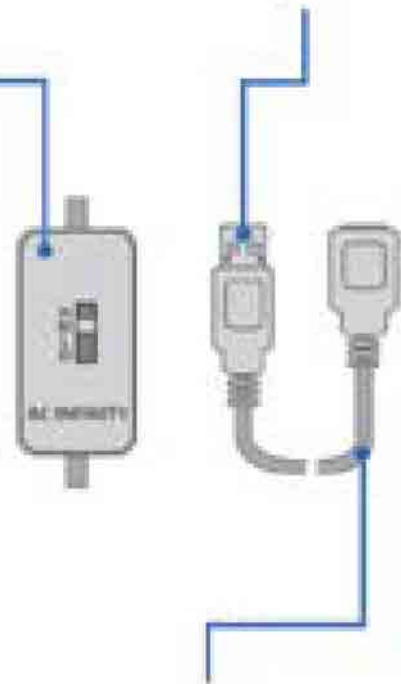
SPEED CONTROLLER

A speed controller located on the cord permits you to adjust the fan's speed and power off the fan.



USB CONNECTOR

Allows the fan unit to be powered by a standard USB port, a common power source in home electronics.



DUAL BALL BEARINGS

Allows the fan unit to be powered by a standard USB port, a common power source in home electronics.

DUAL FAN GUARDS

Guards creates a barrier between a fan's blades and any foreign objects it may come into contact with.

ADDITIONAL USB PORT

Each fan contains an USB port. Up to four fans can be powered through a single USB or outlet source.

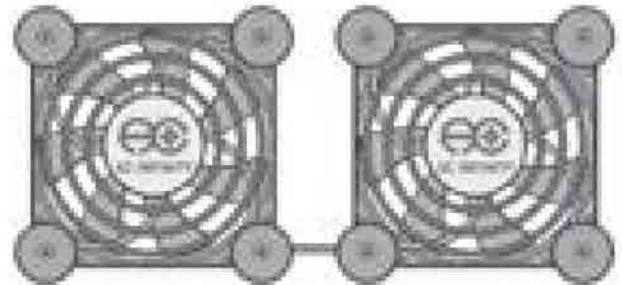
PRODUCT CONTENTS

MULTIFAN S1 AI-MPF80A
MULTIFAN S3 AI-MPF120A
MULTIFAN S4 AI-MPF140A



(1) Single USB fan with Speed Controller

MULTIFAN S5 AI-MPF80A2
MULTIFAN S7 AI-MPF120A2



(1) Dual USB Fans with Speed Controller

MULTIFAN S2 AI-MPB140A

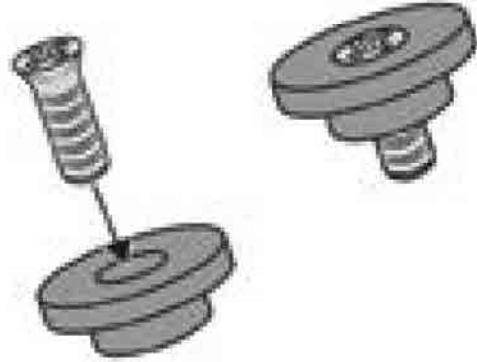


(1) Single USB Blower with Speed Controller

SILICONE FEET

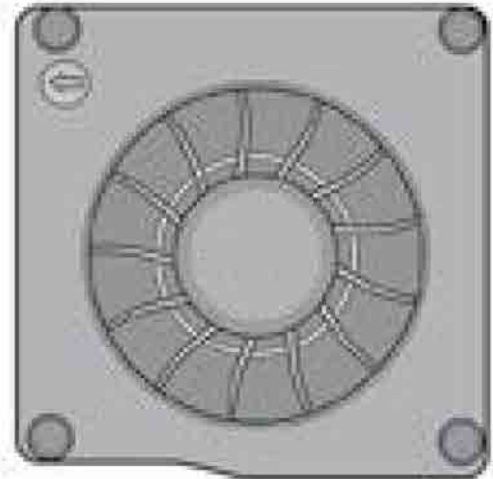
FEET DETACHMENT - FANS

The fan's silicone feet can be detached to save space. Easily unscrew the feet from the fan's frame. Put the screw back in after to secure the fan guard.



FEET DETACHMENT - BLOWERS

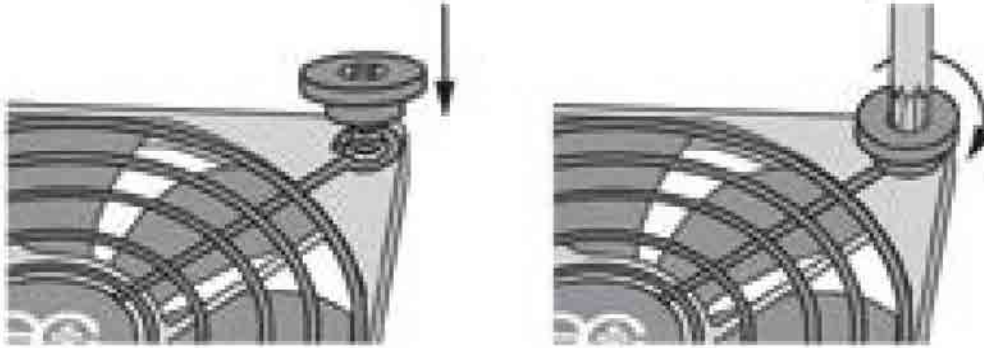
The silicone feet is necessary to prevent the blower from scratching your electronics. It also reduces noise caused by airflow turbulence from underneath the blower. To remove, please pull on the bottom of the feet carefully.



SILICONE FEET

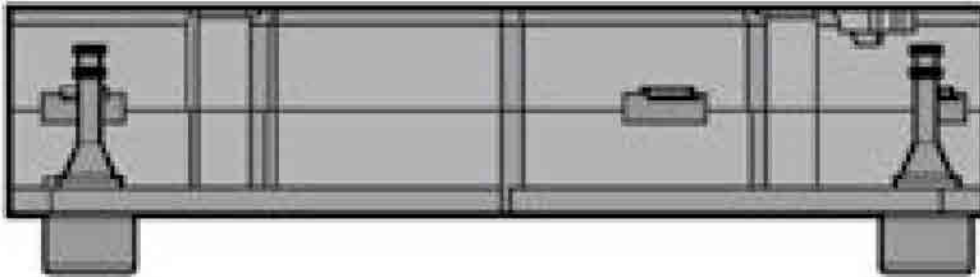
FEET REATTACHMENT - FANS

If you want to install the feet back, simply insert the silicone feet through the guard and onto the fan's screw hole. Turn until you feel the screw tightening but do not overextend or the screw will slip through the rubber feet.



FEET REATTACHMENT - BLOWERS

To install the silicone feet back into the blower, simply insert the top of the feet through the blower's screw hole. Then pull the top of the feet carefully until it slides through the screw hole.

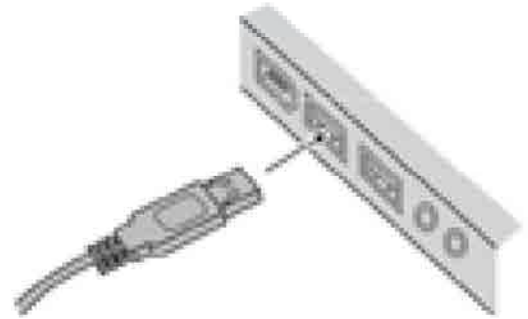


POWERING

USB PORT

Plug the fan's USB connector into a standard USB port. Please use a dedicated USB port rated 500 mA or higher, the standard on most electronics.

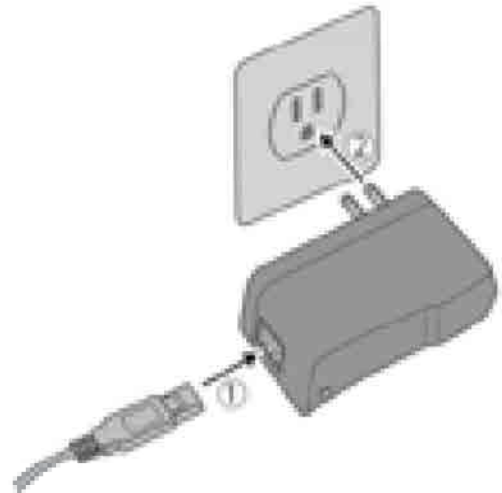
Please note that some electronics will have active power for their USB ports even when the electronic is powered off. This causes the fans to run even if the electronic device is powered off.



POWER OUTLET (SOLD SEPERATELY)

The AC Infinity Boost Adapter is sold separately and enables powering your fan through an outlet. It's designed to maximize the performance of our fans. Using the adapter will increase the fan's speed by up to 25%.

If the higher speed is too loud for your application, please use the speed controller to reduce the noise level.



SPEED CONTROLLER

INLINE 3-SPEED CONTROLLER

The speed controller located on the cord allows you to adjust the fan's speed from off to low, medium, and high. This enables you to set the fan to optimal noise and airflow levels for various environments.

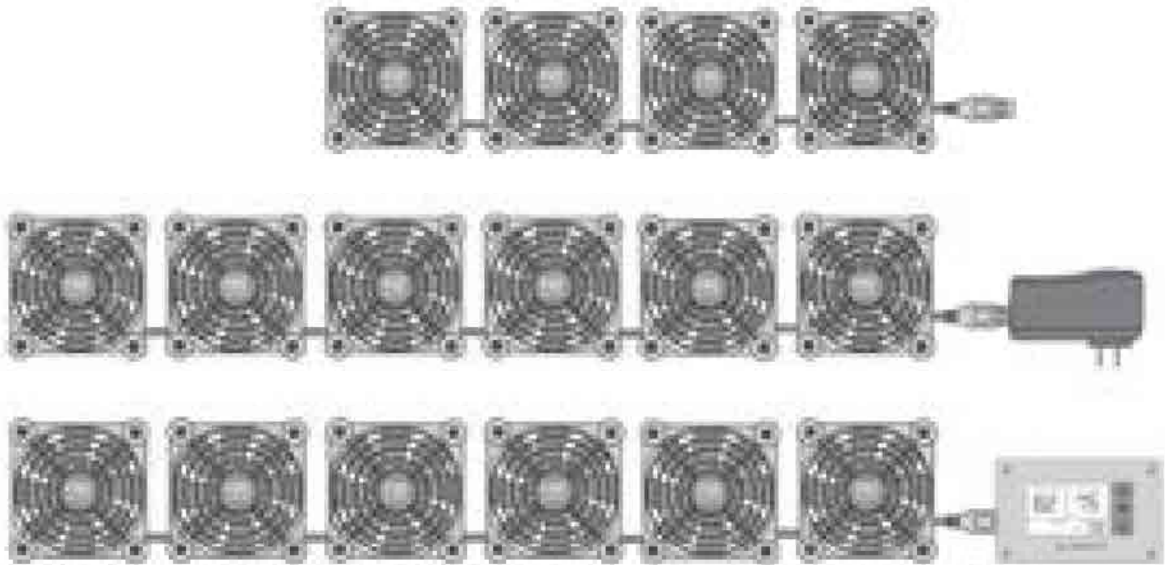
Any fans that are daisy chained will also have their speed changed. Please make sure that the additional fans connected to the fan closest to the power source have their speed set on high.



ADDING MORE UNITS

DAISY CHAINING FANS

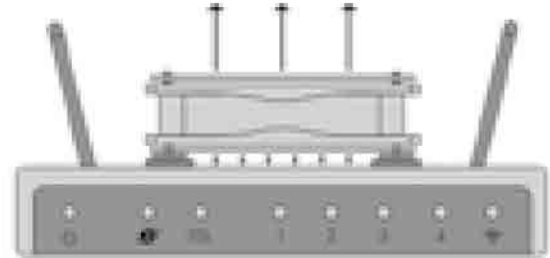
Up to four fans can be daisy chained to share the same USB port. Up to six fans can be daisy chained to share the same Boost Speed adapter or Thermostat Fan Controller, both sold separately. Dual fans such as MULTIFAN S7 count as two fans.



APPLICATIONS

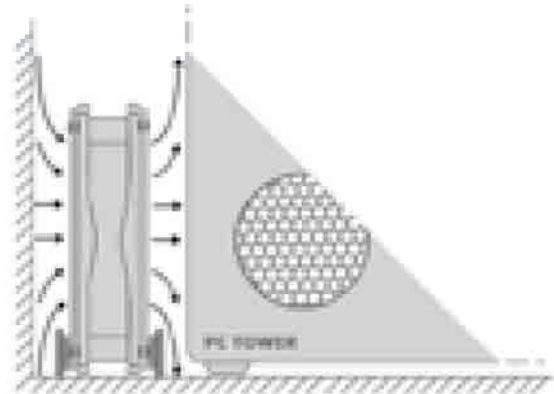
TOP EXHAUST - FANS

The USB cooling fans can be placed on top of electronics that have vents on the top, such as a DVR receiver to help draw out hot air. Unused rubber feet can be detached to save space.



TARGET COOLING - FANS

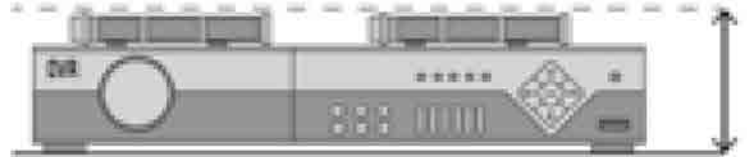
The USB fans can also stand upright to target a specific electronic, component, or area you wish to cool. They can also help circulate air in narrow places such as inside a computer desk or home theater cabinet by pushing hot air away.



APPLICATIONS

REAR EXHAUST - BLOWERS

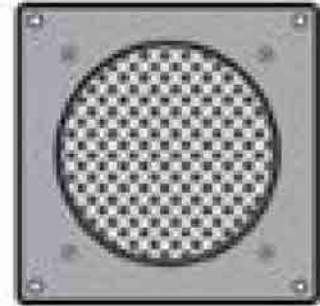
The USB blowers are designed to help exhaust hot air from electronics housed in tight shelves in which a fan may not have adequate space to blow upwards. They should be placed on top of electronics that have ventilations holes on top such as receivers, amplifiers, and other audio video equipment.



AC INFINITY PRODUCTS

AIRPLATE SERIES

The AIRPLATE series is designed to cool home theater and audio video cabinets. The fans be powered by USB port or power outlet. Includes an inline speed controller and Boost Speed Adapter. The fans can also be temperature controlled with an Advance Thermal Controller (sold separately).



PRODUCT	MODEL	DIMENSIONS
AIRPLATE S1	AI-CFS80BA	4.6 x 4.6 x 1.3 in.
AIRPLATE S3	AI-CFS120BA	6.3 x 6.3 x 1.3 in.
AIRPLATE S5	AI-CFD80BA	8.4 x 4.4 x 1.3 in.
AIRPLATE S7	AI-CFD120BA	11.7 x 6.1 x 1.3 in.
AIRPLATE S9	AI-APS9	17.5 x 6.1 x 1.3 in.

AIRCOM SERIES

The AIRCOM series is an intelligent fan system designed to quietly cool receivers and other audio video components. S-series models include speed control and thermal trigger. T-series models feature a LCD controller with smart automated speed and thermostat functions.



PRODUCT	MODEL	DIMENSIONS
AIRCOM S6	AI-ACS6	11.6 x 6.3 x 1.5 in.
AIRCOM S7	AI-ACS7	11.6 x 6.3 x 1.5 in.
AIRCOM S8	AI-ACS8	17 x 13.5 x 1.5 in.
AIRCOM S9	AI-ACS9	17 x 13.5 x 1.5 in.
AIRCOM T8	AI-ACT8	17 x 13.5 x 1.5 in.
AIRCOM T9	AI-ACT9	17 x 13.5 x 1.5 in.

WARRANTY

This warranty program is our commitment to you, the original purchaser, that each product sold by AC Infinity will be free from defects in manufacturing for a period of one year from the date of purchase. If a product is found to have a defect in material or workmanship, we will take the appropriate actions defined in this warranty to resolve any issues.

The warranty program applies to any order, purchase, receipt, or use of any products from AC Infinity. The program covers products that have become defective, malfunctioned, or expressively if the product becomes unusable. The warranty program goes into effect on the date of purchase. The program will expire one year from the date of purchase. If your product becomes defective during that period, AC Infinity will replace your product with a new one or issue you a full refund.

The warranty program does not cover abuse or misuse. This includes physical damage, submersion of the product in water, incorrect Installation such as wrong voltage input, and misuse for any reason other than intended purposes. AC Infinity is not responsible for consequential loss or incidental damages of any nature caused by the product. We will not warrant damage from normal wear such as scratches and dings.



If you are not 100% satisfied with this product, we will be happy to replace it or issue you a full refund. Please contact us!

COPYRIGHT © 2016 AC INFINITY INC. ALL RIGHTS RESERVED

No part of the materials including graphics or logos available in this booklet may be copied, photocopied, reproduced, translated or reduced to any electronic medium or machine readable form, in whole or in part, without specific permission from AC Infinity Inc.

www.acinfinity.com