

Bowers & Wilkins



**AVAILABLE AT
DIGITAL CINEMA**

T7

Welcome to Bowers & Wilkins and T7

Thank you for choosing Bowers & Wilkins. When John Bowers first established our company he did so in the belief that imaginative design, innovative engineering and advanced technology were keys that could unlock the enjoyment of audio in the home. His belief is one that we continue to share and it inspires every product we design.

T7 can be used to:

- Play music streamed from your mobile phone, tablet or computer using Bluetooth wireless technology.
- Play music using a wired connection from any device incorporating an analogue audio output .

T7 is powered by a lithium-ion rechargeable battery pack, able when fully charged, to provide up to 18 hours playback time at average volume levels.

This manual will tell you everything you need to know to get the most from T7. It begins by describing the contents of T7 carton.

Note: Before using T7 ensure you have read and understood the safety instructions included with the product.

Firmware version 1.00

Operation may differ from other firmware versions

www.bowers-wilkins.com

1. T7 Carton Contents

- T7 speaker.
- T7 power supply.
- Regional plugs adapters.
- Literature pack

Environmental Information

This product complies with international directives, including but not limited to the Restriction of Hazardous Substances (RoHS) in electrical and electronic equipment, the Registration, Evaluation, Authorisation and restriction of Chemicals (REACH) and the disposal of Waste Electrical and Electronic Equipment (WEEE). Consult your local waste disposal authority for guidance on how properly to recycle or dispose of this product.

Note: T7 is not waterproof and is not intended for use in high humidity environments such as bathrooms, swimming pools and saunas.

2. Getting to know T7

T7 is a Hi-Fi speaker built with maximum portability in mind. Once switched on via the Power button on its right hand side, it is controlled via Bluetooth, Play/Pause, Volume + and Volume - buttons on its top panel. A blue indicator adjacent to the Bluetooth button displays Bluetooth connection state and a column of white indicators above the Power button displays battery charge level. T7 also provides audible feedback for some control commands and events.

Connections on the back of T7 include a power supply input, auxiliary input (3.5mm stereo jack), and service port used for firmware updates only (micro-USB). A pin-hole Reboot button is also located on the back of T7.

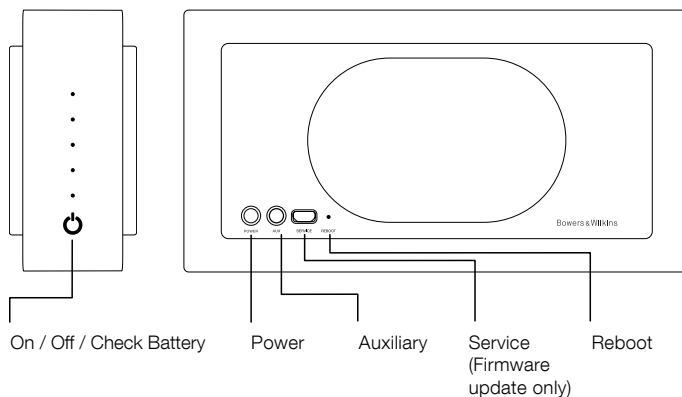
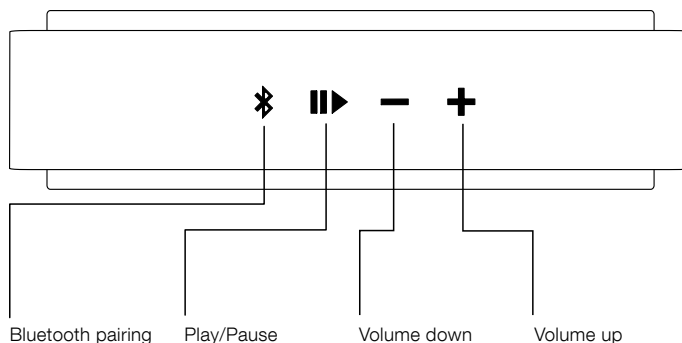


Diagram 1
Buttons and connection sockets.

3. Battery charging

T7 will be partially charged when you first unpack it. To charge T7 follow the steps described below.

- Select the appropriate regional plug adapter for the mains outlet socket in your territory and clip it to the power supply body as illustrated in Diagram 2.
- Plug the T7 power supply into a mains outlet socket and connect its output cable to T7 power input socket. This is illustrated in Diagram 3. If the mains outlet socket incorporates an isolator, switch it on.

Once T7 is connected to power, its battery will begin to charge. A full charge from a fully discharged state will take approximately 4 hours. It is best initially to leave T7 connected until it is fully charged although it can be used while it is charging.

When the Power button is briefly pressed and released the column of five indicators on the right-hand side of T7 will illuminate for short period to indicate the state of battery charge. The indicator illumination depends on the level of charge as shown in diagram 4.

Note: You can charge T7 at anytime independent of battery level.

4. Switching on and off

To switch T7 on or off press and hold the Power button for 2 seconds. T7 will provide audible feedback as it switches on.

Note: If T7 is unused for more than 10 minutes it will automatically enter sleep mode. Wake T7 by starting a Bluetooth audio stream from a paired device. T7 will also wake from sleep mode if either the Bluetooth or power button is pressed. If T7 is unused for more than 20 minutes it will switch off automatically.

If T7 has not been previously used or it is not within range of previously connected Bluetooth devices when first switched on, only its auxiliary input will be operational. See the following section of this manual for information on connecting to Bluetooth devices.

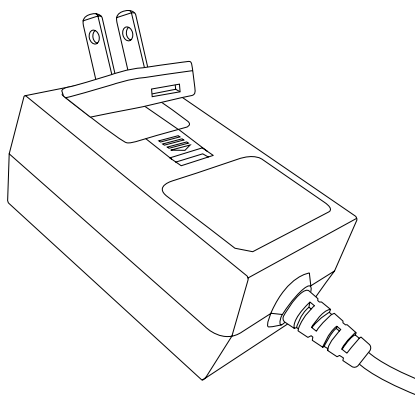


Diagram 2
Selecting the appropriate adapter

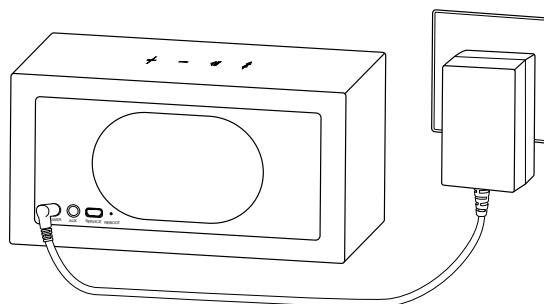


Diagram 3
Connecting T7 into the mains outlet

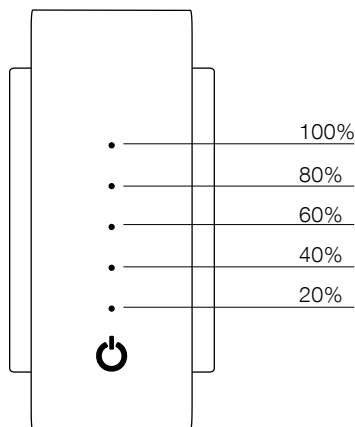


Diagram 4
Battery life indicator

5. T7 audio inputs

T7 can play audio either wirelessly from a compatible Bluetooth device or through a wired connection from a device with an analogue output.

T7 will select between its Bluetooth and wired inputs automatically although the Bluetooth input has priority. The following input selection rules apply:

- If T7 is connected via Bluetooth and a plug is inserted in the Auxiliary input socket, T7 will switch to the Auxiliary input.
- If T7 is playing audio through its Auxiliary input and a Bluetooth stream is received or the Bluetooth button is pressed, T7 will switch to the Bluetooth input.
- If T7 is playing audio through its Auxiliary input and the cable is disconnected T7 will switch to the Bluetooth input and attempt to connect to the primary paired source device.

Note: If T7 is connected via Bluetooth while an Auxiliary input cable is also connected, a new analogue audio signal will not automatically switch T7 to its Auxiliary input.

5.1 Bluetooth connection

To connect T7 to a Bluetooth enabled audio device it must first be "paired" with the device. Once paired, a Bluetooth device and T7 will "remember" each other and be able to connect when within range.

T7 will remember up to eight paired Bluetooth devices. The first paired device will be designated as the "primary" device, additional devices will be designated as "secondary" devices.

The primary device will be connected when within range, and the T7 Bluetooth button is pressed. Secondary devices will not connect automatically when in range but must be connected via their Bluetooth settings.

It is possible for two paired devices to be connected to T7. However, audio will only be heard from one device at any one time. When two devices are connected the other device can override the active stream.

To pair a Bluetooth device with T7 follow the steps described below.

- With T7 switched on, press and hold the Bluetooth button for 2 seconds. The indicator will flash and T7 will provide audible feedback when it enters "pairing" mode.

Note: T7 will automatically exit from Bluetooth pairing mode if no device is paired within 5 minutes.

- Open the Bluetooth settings on the source device and ensure Bluetooth is switched on. Once discovered, Bowers & Wilkins T7 will appear as an available Bluetooth device. Select T7 and close the Bluetooth settings. T7 Bluetooth indicator will flash as pairing is underway and illuminate fully when pairing is established. T7 will also provide audible feedback when pairing is established.

Note: If your Bluetooth audio source device does not support "simple" pairing and requests a four digit code, enter '0000'.

- Once a connection has been established, ensure that T7 is selected as the speaker output. Audio will now be heard through T7.

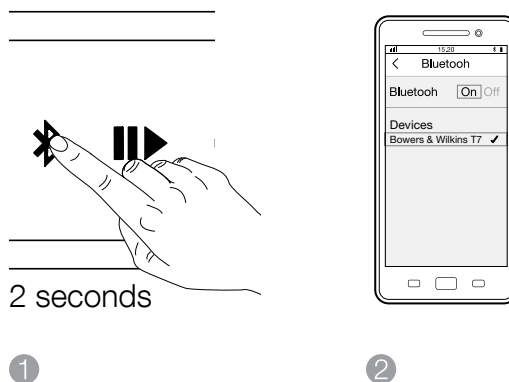


Diagram 5
Bluetooth setup

The paired device memory can be cleared by press and hold Volume – and Bluetooth button for 2 seconds. The Bluetooth indicator will flash and T7 will restart once the memory has been cleared.

To disconnect a Bluetooth source device from T7 press the T7 Bluetooth button twice in quick succession. This will disconnect all Bluetooth connected devices. T7 will provide audible feedback when Bluetooth is disconnected.

5.2 Wired connection

Connect to the Auxiliary input using an appropriate cable. T7 will select its Auxiliary input automatically when a plug is inserted. If the analogue audio source has an output volume control, set it initially to around half volume. Use the T7 buttons to control volume rather than the source device volume controls. Only increase the source volume if T7 maximum volume is inadequate.

Note: T7 will always switch automatically to its Bluetooth input if an audio stream is received from a connected Bluetooth source device.

6. Operating T7

Once paired with a Bluetooth source or connected to a wired analogue audio source, operation of T7 is simple.

To increase or decrease volume press the Volume + or Volume – buttons respectively.

To play or pause Bluetooth streamed audio use the T7 Play/Pause button. To skip to the next track press the Play/Pause button twice in quick succession. To skip to the previous track press the Play/Pause button three times in quick succession.

Note: The play/pause button will not control audio from T7 Auxiliary input.

To connect to the primary Bluetooth source press the Bluetooth button.

To disconnect from the currently connected Bluetooth source press the Bluetooth button twice in quick succession. If two Bluetooth devices are connected to T7, both devices will be disconnected. T7 will provide audible feedback of Bluetooth disconnection and switch to the auxiliary input.

To select T7 analogue wired input insert a connection plug or disconnect from the connected Bluetooth source.

To check T7 battery charge press the Power button.

To switch T7 off press and hold the Power button.

7. T7 Indicators and Audio cues

<i>Blue flashing</i>	<i>T7 is in discoverable mode</i>
<i>Blue solid</i>	<i>T7 is successfully paired with a Bluetooth device</i>
<i>Blue blinking (fast flashing)</i>	<i>Pairing has failed</i>

The LEDs on the side of the product give an indication of battery life as described in Diagram 4.

Audio cues are heard for the following actions –

Power on
Power off
Bluetooth discoverable mode entered
Bluetooth device connected
Bluetooth devices disconnected
Battery charging initiated
Battery charge low
Battery charge critical

Note: It is possible to toggle the audio cues on and off by press and releasing 'Play/Pause' and '+'.

8. T7 Firmware Update

Updated T7 firmware may from time to time be made available for download from the T7 support section of the Bowers & Wilkins website.

9. Reboot

To perform a reboot use a straightened paper-clip to press and hold the Reboot button for two seconds. T7 will turn off, press Power on and reboot will be complete.

Note: Performing a reboot will not clear the paired device memory.

10. Cleaning T7

Wipe surfaces with a dry clean lint-free cloth.

11. Troubleshooting

If you need help troubleshooting a specific problem, or have a question you'd like answered, please consult the T7 support section of the Bowers & Wilkins website: www.bowers-wilkins.com

Technical Specifications

Model	T7
Description	Wireless Portable Speaker
Technical features	Bluetooth Digital Signal Processing (DSP) High Quality Class D amplifiers Rechargeable lithium ion battery
Drive units	2x 50mm (2.0 in) Full range 2 x Auxiliary Bass Radiators (ABR)
Frequency response	58Hz - 19kHz +/-3dB
Frequency range	-6dB@ 50Hz to 21kHz
Amplifier power output	2 x 12W
Power supply voltage	Input: 100-240Vac, 50/60Hz, 1.0A, (Power supply) Output: 15Vdc, 2.0A
Power consumption	Standby: 0.141W Sleep: 0.317W
Operating temperature	This product is only designed to work at an ambient temperature of up to 45°C
Inputs	Auxiliary - analogue (stereo 3.5mm jack) Service - firmware updates only (micro USB)
Height	114mm
Width	210mm
Depth	54mm
Net weight	940g
Enclosure	Polycarbonate