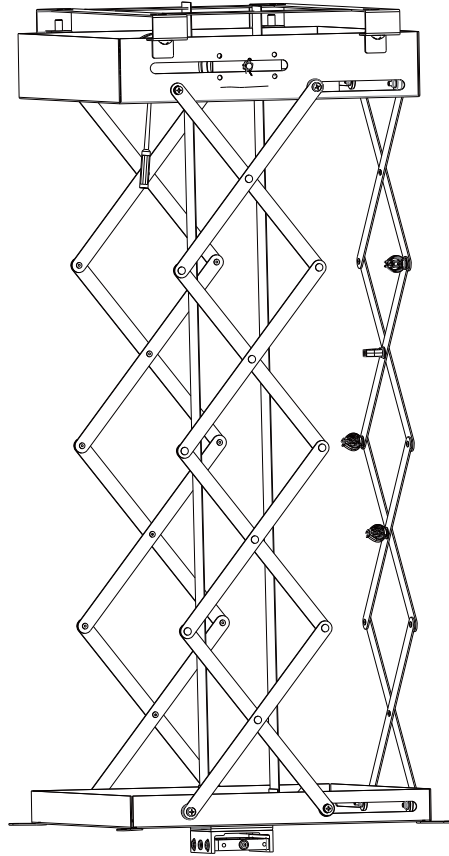


Phantom Projector Lift

DIGITAL
CINEMA

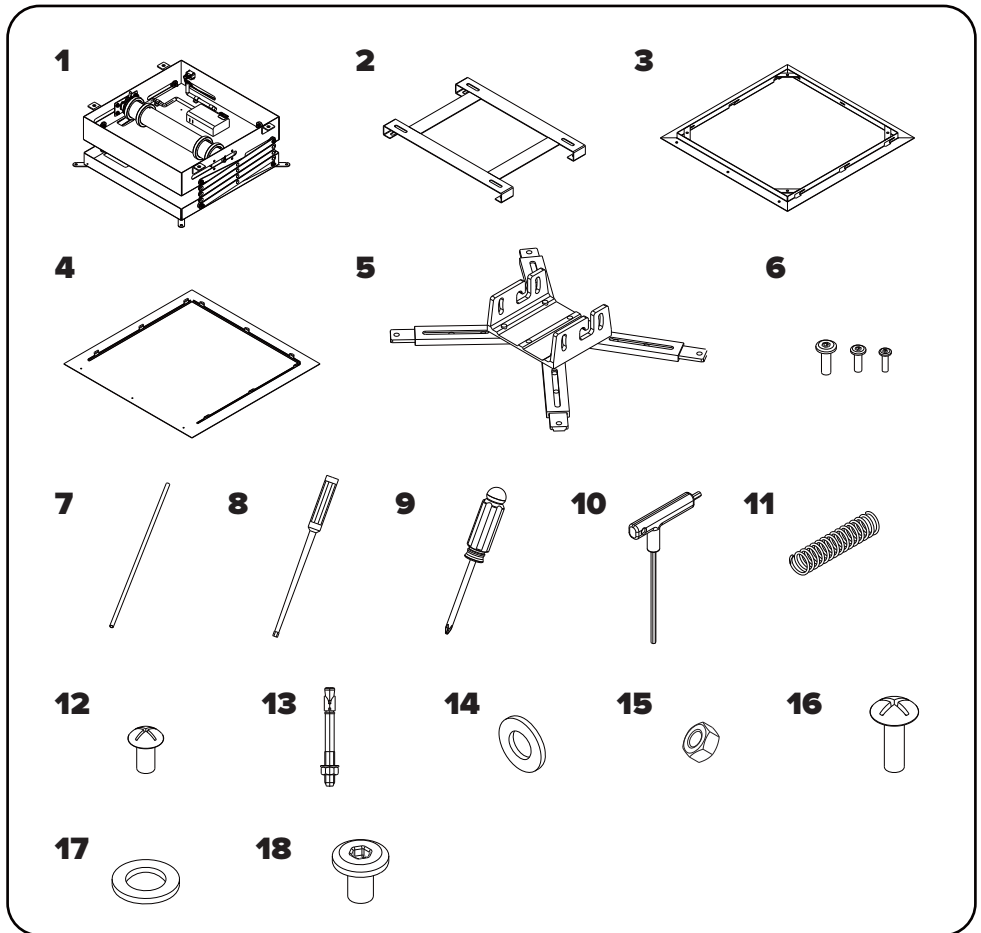
AVAILABLE AT
DIGITAL CINEMA



Instruction manual for Phantom projector lift

Please read this manual before installing and using the projection screen. Retain this manual for future reference.

 **CARSON**



1. Projector mount body (1pc)
2. Top base plate (1pc)
3. Ceiling installation plate (1 pcs)
4. 600*600mm ceiling cover plate (1pcs)
5. Projector mount U shape hanger part (1pcs)
6. 6*25 hexagon socket round flat head screws (4pcs)
6*20 hexagon socket round flat head screws (4pcs)
4*20 hexagon socket round flat head screws (4pcs)
7. M8 screws (4pcs)
8. Motor Stroke adjusting Rod (1pcs)
9. Cross screwdriver (1pcs)
10. Hexagon socket screwdriver (1pcs)
11. Compression Springs (4pc)
12. M10*20 cross recessed large flat head screws (4pcs)
13. Expansion belt (4pcs)
14. Hexagon nut (16 pcs)
15. flat mat (16pcs)
16. M3*10 cross recessed large flat head screws (3pcs)
17. PA gaskets (4pcs)
18. M6*10 hexagon socket flat head screws (4pcs)

Items listed here may change without prior notice.
The company reserves the right to all of the listed items.

Important Safety Tips

⚠ WARNING: Incorrect installation and improper use may lead to mechanical failure or personal injury.

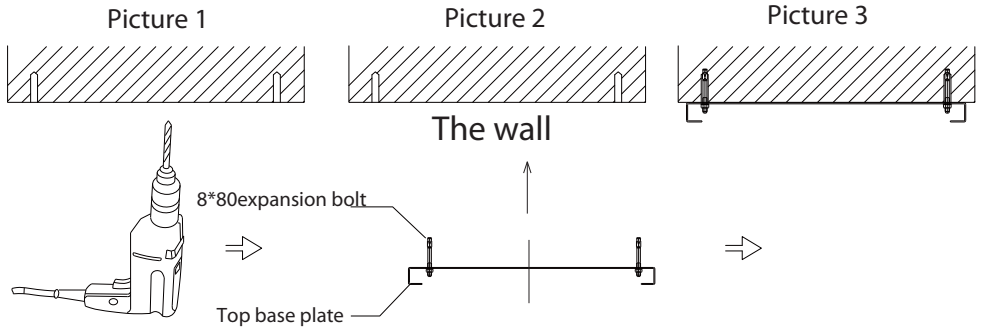
Considerations for installing / using this product

1. Handle with care to avoid damage.
2. Do not expose the product to rainwater or any other form of moisture.
3. Keep away from heat sources, such as radiators and other items that may emit heat
4. Check whether the voltage is consistent with the required voltage.

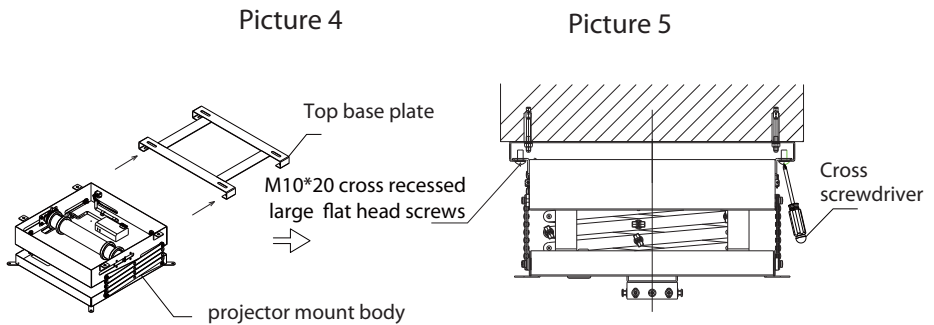
The company will not be liable for any damages or injuries caused by a faulty installation or operation.

Installation

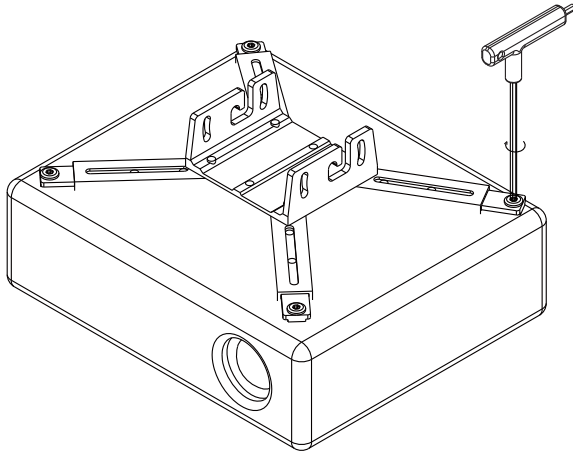
Use a 10mm diameter drill bit to drill holes in marked positions on the ceiling, then use the 8*80 in those holes expansion bolts to install the base plate.



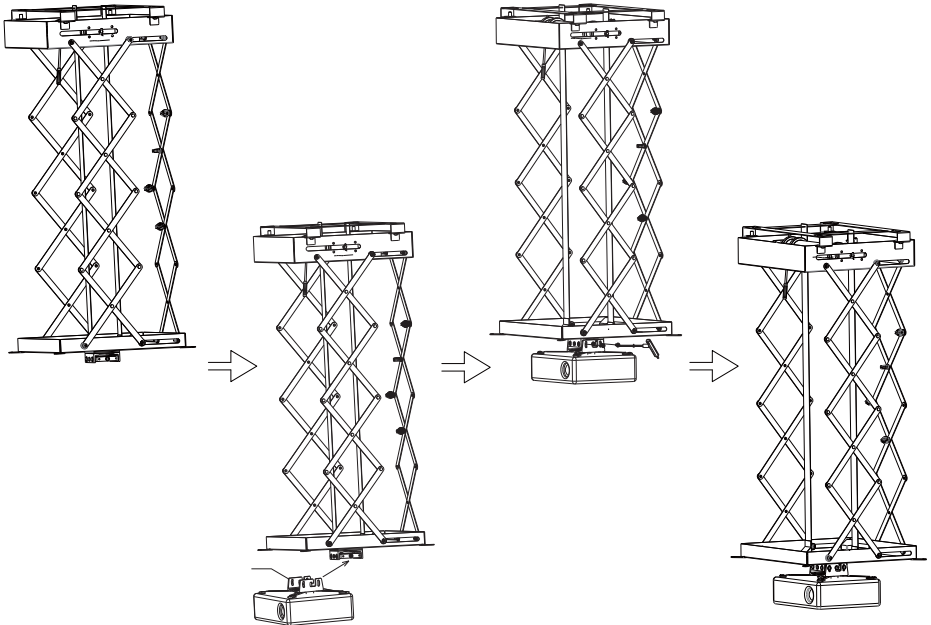
Slide the main body of the motorized projector mount into the top base plate, tighten and fix it with M10*20 cross recessed large flat head screw.



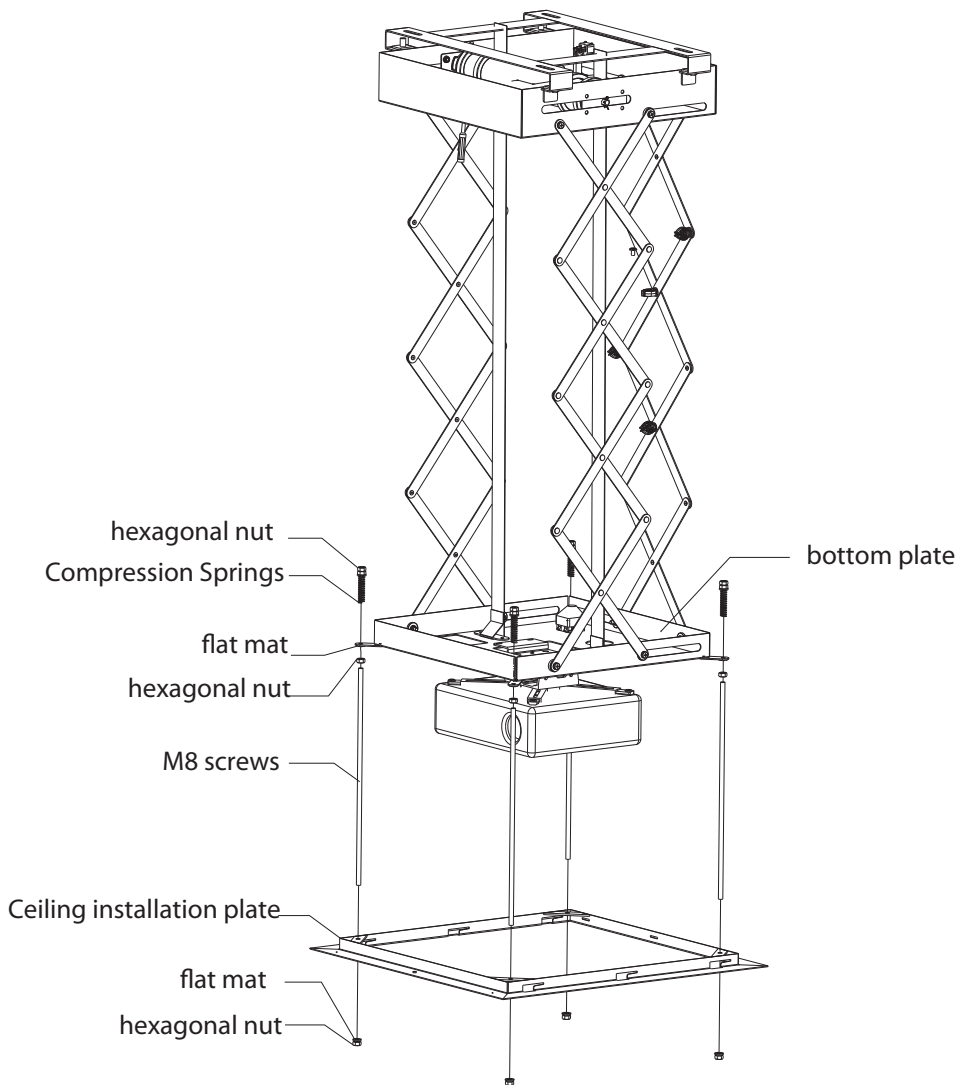
Pick the correct screw according to your projector model to install the projector and U - shaped hanger together.



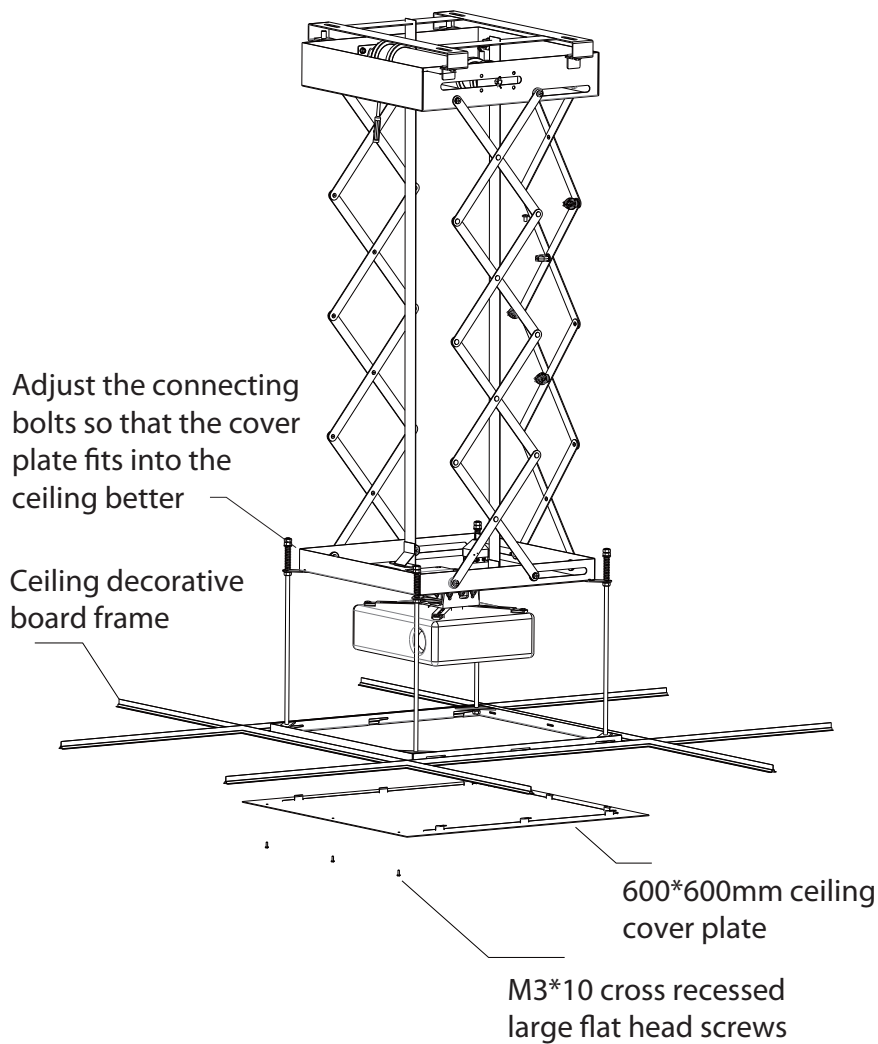
Press the 'down' button on the remote to lower the projector mount. Install the projector on the projector mount. Tighten the screws. Projector installation complete.



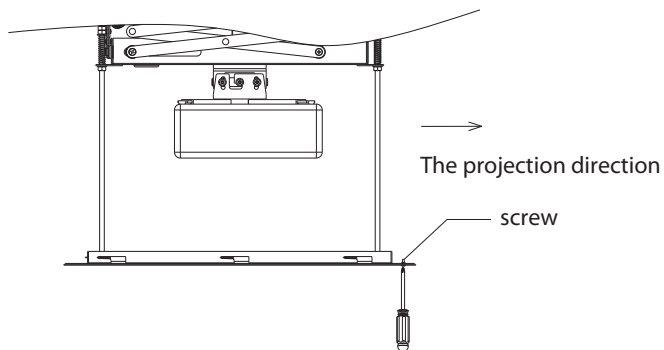
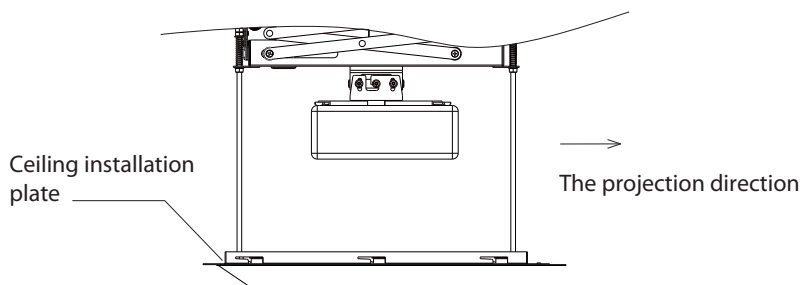
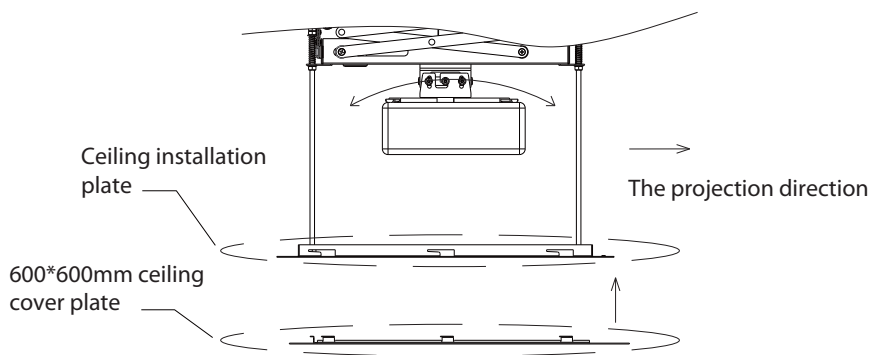
Follow the instruction below to install ceiling installation plate.



Follow the instruction below to install ceiling cover plate.



Adjust the tilt Angle of the projector.
Mount the 600*600 ceiling cover plate,
along the guide rail direction of the
ceiling installation plate. Screw fixing.



Use the motor stroke adjusting rod to adjust "up limit size" and "down limit size" whenever necessary.

For 'up limit' adjustment, turn Red knob:

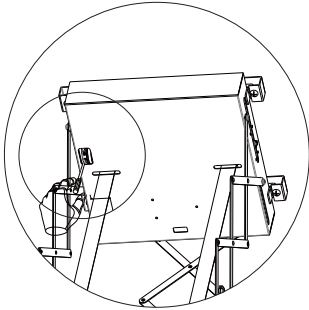
Anti-clockwise – to reduce 'up limit'

Clockwise – to add 'up limit'

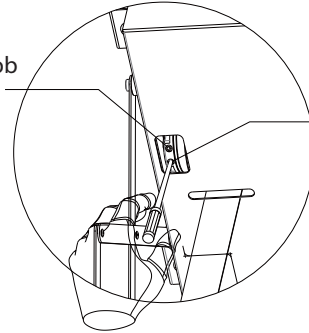
For 'down limit' adjustment, turn White knob:

Anti-clockwise – to add 'down limit'

Clockwise – to reduce 'down limit'



White knob



Red knob

