

DENON

FULLY AUTOMATIC TURNTABLE SYSTEM

DP-29F

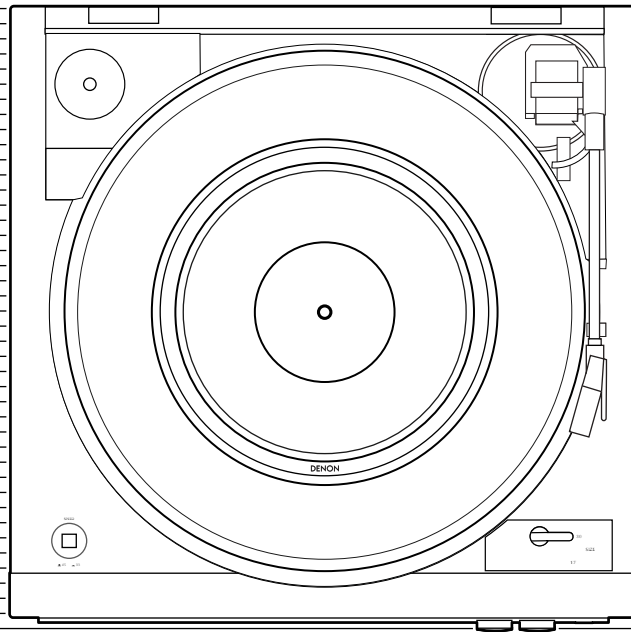
OPERATING INSTRUCTIONS

MODE D'EMPLOI

INSTRUCCIONES DE OPERACION




**AVAILABLE AT
DIGITAL CINEMA**




FOR ENGLISH READERS
POUR LES LECTEURS FRANCAIS
PARA LECTORES DE ESPAÑOL

PAGE 5 ~ PAGE 10
PAGE 11 ~ PAGE 16
PAGINA 17 ~ PAGINA 22

SAFETY PRECAUTIONS



CAUTION
RISK OF ELECTRIC SHOCK
DO NOT OPEN



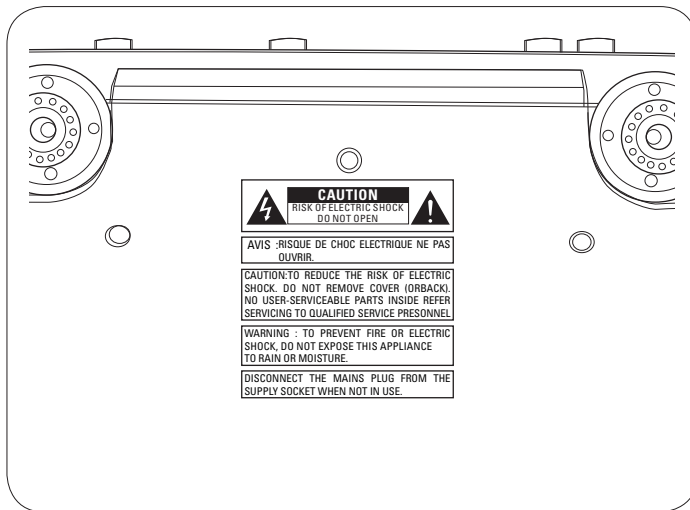
CAUTION:
TO REDUCE THE RISK OF ELECTRIC SHOCK, DO NOT REMOVE COVER (OR BACK). NO USER-SERVICEABLE PARTS INSIDE. REFER SERVICING TO QUALIFIED SERVICE PERSONNEL.

The lightning flash with arrowhead symbol, within an equilateral triangle, is intended to alert the user to the presence of uninsulated "dangerous voltage" within the product's enclosure that may be of sufficient magnitude to constitute a risk of electric shock to persons.

The exclamation point within an equilateral triangle is intended to alert the user to the presence of important operating and maintenance (servicing) instructions in the literature accompanying the appliance.

WARNING:
TO REDUCE THE RISK OF FIRE OR ELECTRIC SHOCK, DO NOT EXPOSE THIS APPLIANCE TO RAIN OR MOISTURE.

Location of Caution Labels: Bottom



IMPORTANT SAFETY INSTRUCTIONS

1. Read these instructions.
2. Keep these instructions.
3. Heed all warnings.
4. Follow all instructions.
5. Do not use this apparatus near water.
6. Clean only with dry cloth.
7. Do not block any ventilation openings. Install in accordance with the manufacturer's instructions.
8. Do not install near any heat sources such as radiators, heat registers, stoves, or other apparatus (including amplifiers) that produce heat.
9. Do not defeat the safety purpose of the polarized or grounding-type plug. A polarized plug has two blades with one wider than the other. A grounding type plug has two blades and a third grounding prong. The wide blade or the third prong are provided for your safety. If the provided plug does not fit into your outlet, consult an electrician for replacement of the obsolete outlet.
10. Protect the power cord from being walked on or pinched particularly at plugs, convenience receptacles, and the point where they exit from the apparatus.
11. Only use attachments/accessories specified by the manufacturer.
12. Use only with the cart, stand, tripod, bracket, or table specified by the manufacturer, or sold with the apparatus. When a cart is used, use caution when moving the cart/apparatus combination to avoid injury from tip-over.
13. Unplug this apparatus during lightning storms or when unused for long periods of time.
14. Refer all servicing to qualified service personnel. Servicing is required when the apparatus has been damaged in any way, such as power-supply cord or plug is damaged, liquid has been spilled or objects have fallen into the apparatus, the apparatus has been exposed to rain or moisture, does not operate normally, or has been dropped.



FCC INFORMATION (For US customers)

1. PRODUCT

This product complies with Part 15 of the FCC Rules. Operation is subject to the following two conditions: (1) this product may not cause harmful interference, and (2) this product must accept any interference received, including interference that may cause undesired operation.

2. IMPORTANT NOTICE: DO NOT MODIFY THIS PRODUCT

This product, when installed as indicated in the instructions contained in this manual, meets FCC requirements. Modification not expressly approved by DENON may void your authority, granted by the FCC, to use the product.

3. NOTE

This product has been tested and found to comply with the limits for a Class B digital device, pursuant to Part 15 of the FCC Rules. These limits are designed to provide reasonable protection against harmful interference in a residential installation.

This product generates, uses and can radiate radio frequency energy and, if not installed and used in accordance with the instructions, may cause harmful interference to radio communications. However, there is no guarantee that interference will not occur in a particular installation. If this product does cause harmful interference to radio or television reception, which can be determined by turning the product OFF and ON, the user is encouraged to try to correct the interference by one or more of the following measures:

- Reorient or relocate the receiving antenna.
- Increase the separation between the equipment and receiver.
- Connect the product into an outlet on a circuit different from that to which the receiver is connected.
- Consult the local retailer authorized to distribute this type of product or an experienced radio/TV technician for help.

This Class B digital apparatus complies with Canadian ICES-003.
Cet appareil numérique de la classe B est conforme à la norme NMB-003 du Canada.

NOTES ON USE / OBSERVATIONS RELATIVES A L'UTILISATION / NOTAS SOBRE EL USO

WARNINGS	AVERTISSEMENTS	ADVERTENCIAS
<ul style="list-style-type: none"> • Avoid high temperatures. Allow for sufficient heat dispersion when installed in a rack. • Handle the power cord carefully. Hold the plug when unplugging the cord. • Keep the unit free from moisture, water, and dust. • Unplug the power cord when not using the unit for long periods of time. • Do not obstruct the ventilation holes. • Do not let foreign objects into the unit. • Do not let insecticides, benzene, and thinner come in contact with the unit. • Never disassemble or modify the unit in any way. • Ventilation should not be impeded by covering the ventilation openings with items, such as newspapers, tablecloths or curtains. • Naked flame sources such as lighted candles should not be placed on the unit. • Observe and follow local regulations regarding battery disposal. • Do not expose the unit to dripping or splashing fluids. • Do not place objects filled with liquids, such as vases, on the unit. • Do not handle the mains cord with wet hands. • When the switch is in the OFF (STANDBY) position, the equipment is not completely switched off from MAINS. • The equipment shall be installed near the power supply so that the power supply is easily accessible. 	<ul style="list-style-type: none"> • Eviter des températures élevées. Tenir compte d'une dispersion de chaleur suffisante lors de l'installation sur une étagère. • Manipuler le cordon d'alimentation avec précaution. Tenir la prise lors du débranchement du cordon. • Protéger l'appareil contre l'humidité, l'eau et la poussière. • Débrancher le cordon d'alimentation lorsque l'appareil n'est pas utilisé pendant de longues périodes. • Ne pas obstruer les trous d'aération. • Ne pas laisser des objets étrangers dans l'appareil. • Ne pas mettre en contact des insecticides, du benzène et un diluant avec l'appareil. • Ne jamais démonter ou modifier l'appareil d'une manière ou d'une autre. • Ne pas recouvrir les orifices de ventilation avec des objets tels que des journaux, nappes ou rideaux. Cela entraverait la ventilation. • Ne jamais placer de flamme nue sur l'appareil, notamment des bougies allumées. • Veillez à respecter les lois en vigueur lorsque vous jetez les piles usagées. • L'appareil ne doit pas être exposé à l'eau ou à l'humidité. • Ne pas poser d'objet contenant du liquide, par exemple un vase, sur l'appareil. • Ne pas manipuler le cordon d'alimentation avec les mains mouillées. • Lorsque l'interrupteur est sur la position OFF (STANDBY), l'appareil n'est pas complètement déconnecté du SECTEUR (MAINS). • L'appareil sera installé près de la source d'alimentation, de sorte que cette dernière soit facilement accessible. 	<ul style="list-style-type: none"> • Evite altas temperaturas. Permite la suficiente dispersión del calor cuando está instalado en la consola. • Maneje el cordón de energía con cuidado. Sostenga el enchufe cuando desconecte el cordón de energía. • Mantenga el equipo libre de humedad, agua y polvo. • Desconecte el cordón de energía cuando no utilice el equipo por mucho tiempo. • No obstruya los orificios de ventilación. • No deje objetos extraños dentro del equipo. • No permita el contacto de insecticidas, gasolina y diluyentes con el equipo. • Nunca desarme o modifique el equipo de ninguna manera. • La ventilación no debe quedar obstruida por haberse cubierto las aperturas con objetos como periódicos, manteles o cortinas. • No deberán colocarse sobre el aparato fuentes inflamables sin protección, como velas encendidas. • A la hora de deshacerse de las pilas, respete la normativa para el cuidado del medio ambiente. • No exponer el aparato al goteo o salpicaduras cuando se utilice. • No colocar sobre el aparato objetos llenos de líquido, como jarrós. • No maneje el cable de alimentación con las manos mojadas. • Cuando el interruptor está en la posición OFF (STANDBY), el equipo no está completamente desconectado de la alimentación MAINS. • El equipo se instalará cerca de la fuente de alimentación de manera que resulte fácil acceder a ella.

DECLARATION OF CONFORMITY
 We declare under our sole responsibility that this product, to which this declaration relates, is in conformity with the following standards: EN60065, EN55013, EN55020, EN61000-3-2 and EN61000-3-3. Following the provisions of Low Voltage Directive 2006/95/EC and EMC Directive 2004/108/EC, the EC regulation 1275/2008 and its frame work Directive 2009/125/EC for Energy-related Products (ErP).

DECLARATION DE CONFORMITE
 Nous déclarons sous notre seule responsabilité que l'appareil, auquel se réfère cette déclaration, est conforme aux standards suivants: EN60065, EN55013, EN55020, EN61000-3-2 et EN61000-3-3. Selon la directive 2006/95/EC concernant la basse tension et la directive CEM 2004/108/EC, la réglementation européenne 1275/2008 et la directive 2009/125/EC établissant un cadre de travail applicable aux produits liés à l'énergie (ErP).

DECLARACIÓN DE CONFORMIDAD
 Declaramos bajo nuestra exclusiva responsabilidad que este producto al que hace referencia esta declaración, está conforme con los siguientes estándares: EN60065, EN55013, EN55020, EN61000-3-2 y EN61000-3-3. De acuerdo con la directiva sobre baja tensión 2006/95/CE y la directiva sobre CEM 2004/108/CE, la normativa CE 1275/2008 y su directiva marco 2009/125/EC para productos relacionados con la energía (ErP).

DENON EUROPE
 Division of D&M Germany GmbH
 An der Kleinbahn 18, Nettetel,
 D-41334 Germany

CAUTION:
 To completely disconnect this product from the mains, disconnect the plug from the wall socket outlet. The mains plug is used to completely interrupt the power supply to the unit and must be within easy access by the user.

PRECAUTION:
 Pour déconnecter complètement ce produit du courant secteur, débranchez la prise de la prise murale. La prise secteur est utilisée pour couper complètement l'alimentation de l'appareil et l'utilisateur doit pouvoir y accéder facilement.

PRECAUCIÓN:
 Para desconectar completamente este producto de la alimentación eléctrica, desconecte el enchufe del enchufe de la pared. El enchufe de la alimentación eléctrica se utiliza para interrumpir por completo el suministro de alimentación eléctrica a la unidad y debe de encontrarse en un lugar al que el usuario tenga fácil acceso.

A NOTE ABOUT RECYCLING:
 This product's packaging materials are recyclable and can be reused. Please dispose of any materials in accordance with the local recycling regulations. When discarding the unit, comply with local rules or regulations. Batteries should never be thrown away or incinerated but disposed of in accordance with the local regulations concerning battery disposal. This product and the supplied accessories, excluding the batteries, constitute the applicable product according to the WEEE directive.

UNE REMARQUE CONCERNANT LE RECYCLAGE:
 Les matériaux d'emballage de ce produit sont recyclables et peuvent être réutilisés. Veuillez disposer des matériaux conformément aux lois sur le recyclage en vigueur. Lorsque vous mettez cet appareil au rebut, respectez les lois ou réglementations en vigueur. Les piles ne doivent jamais être jetées ou incinérées, mais mises au rebut conformément aux lois en vigueur sur la mise au rebut des piles. Ce produit et les accessoires inclus, à l'exception des piles, sont des produits conformes à la directive DEEE.

ACERCA DEL RECICLAJE:
 Los materiales de embalaje de este producto son reciclables y se pueden volver a utilizar. Disponga de estos materiales siguiendo los reglamentos de reciclaje de su localidad. Cuando se deshaga de la unidad, cumpla con las reglas o reglamentos locales. Las pilas nunca deberán tirarse ni incinerarse. Deberá disponer de ellas siguiendo los reglamentos de su localidad relacionados con los desperdicios químicos. Este producto junto con los accesorios empaquetados es el producto aplicable a la directiva RAEE excepto pilas.



PROPOSITION 65 WARNING (California only)
 This product contains a chemical known to the State of California to cause cancer and birth defects or other reproductive harm. For more information go to www.p65warnings.ca.gov

Thank you very much for purchasing the DENON fully automatic turntable system.

Please read the operating instructions thoroughly in order to acquaint yourself with the turntable system and achieve maximum satisfaction from it.

– TABLE OF CONTENTS –

1 Precautions5
 2 Before using the turntable6
 3 Connections7
 4 Controls8
 5 Record playback8, 9
 6 Operation details9
 7 Troubleshooting10
 8 Specifications10

Please check to make sure the following items are included with the main unit in the carton:

- (1) Operating instructions (these instructions)1
- (2) Service station list1
- (3) Platter1
- (4) Rubber mat1
- (5) 45 rpm adaptor1

1 PRECAUTIONS

Power requirements

Power requirements for electrical equipment differ from area to area. Please ensure that your machine meets the power requirements in your area.
 If it doubt, consult a qualified electrician.

About the power switch

This turntable is not equipped with a primary power switch. The power switch is incorporated in the tone arm of the turntable. The power to the turntable is cut when the tone arm returns to the tone arm rest. Note however, that the power is not completely turned off in this case. If you wish to completely turn the power off, disconnect the power cord from the household AC outlet.

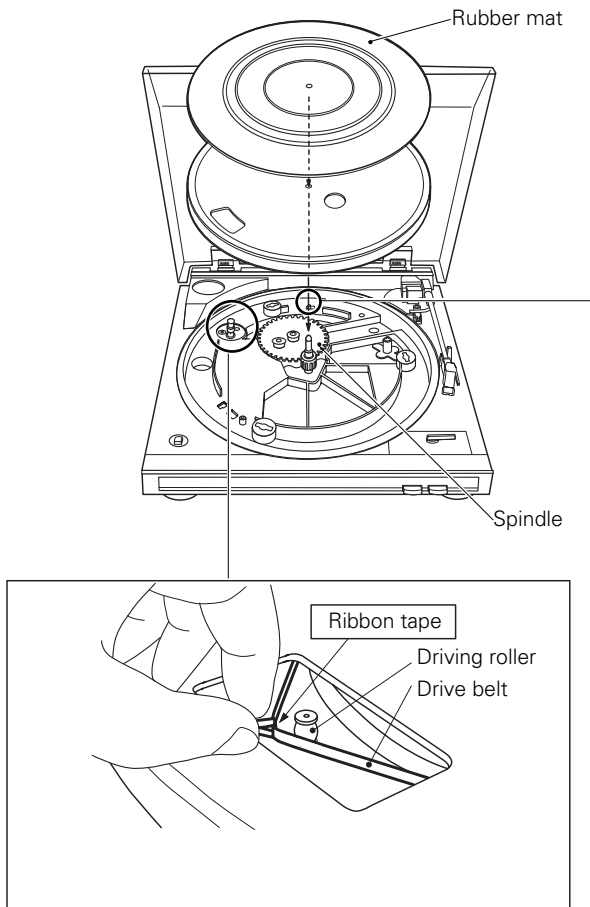
What you should know to protect yourself

- Never touch the plug with wet hands.
- Always pull out by the plug and never the cord.
- Only let a qualified professional repair or reassemble the turntable. An unauthorized person might touch the internal parts and receive a serious electric shock.
- Never allow a child to put anything, especially metal, into the turntable.

Protect the turntable too

- Use only a household AC power source. Never use a DC power source.
- If water is spilled on the turntable, disconnect it and call your dealer.
- Make sure that the turntable is well ventilated and away from direct sunlight.
- To avoid damage to the internal circuits and the external surface, keep it away from heat (stoves, etc.).
- Avoid using spray type insecticide near the turntable it can damage the finish and might ignite suddenly.
- To avoid damaging the finish, never use paint thinner or other similar chemicals to clean the turntable.
- Place the turntable on a flat and solid surface.
- If you don't plan to use the turntable for a long period of time, disconnect the power cord.
- To protect the insulators, always lift the turntable when you move it. And before moving the turntable, disconnect all the connecting cables.
- When transporting the turntable over a long distance, place it in its original box wrapped in protective wrappers.

2 BEFORE USING THE TURNTABLE



- **The drive belt is fitted under the platter.** When assembling the player, please handle the drive belt with care.
- Remove all packing materials attached to the tone arm, except that on the stylus, and then open the dust cover and assemble. Remove the stylus cover after assembling.

1	Hold the platter by the holes at its outer surface, and then carefully lower the platter so that the center spindle enters the center hole. Rotate the platter until one of its outer openings is aligned with the driving roller. (Refer to illustration.)
2	Gently grasp and pull at the ribbon tape of the drive belt that is wound under the turntable, and then extend the belt around the driving roller. (After attaching, remove the ribbon tape.) In order to make sure that the drive belt has been correctly fitted, slowly rotate the platter 3 or 4 turns.
3	Place the rubber mat on the platter.

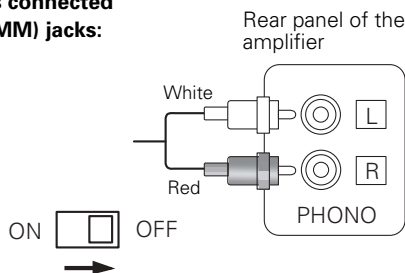
IMPORTANT! Please Check.

Check that the drive belt and ribbon tape have been attached under the platter. Grasp the ribbon tape as shown in the illustration to the left, and extend it onto the driving roller.

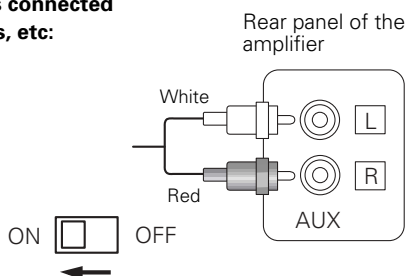
Equalizer Amplifier switch

This unit has built-in RIAA equalizer amplifier, so it can be connected to an amplifier without PHONO (turntable) input jack. According to the amplifier, set the EQUALIZER AMPLIFIER SWITCH.

When the unit is connected to the PHONO (MM) jacks:



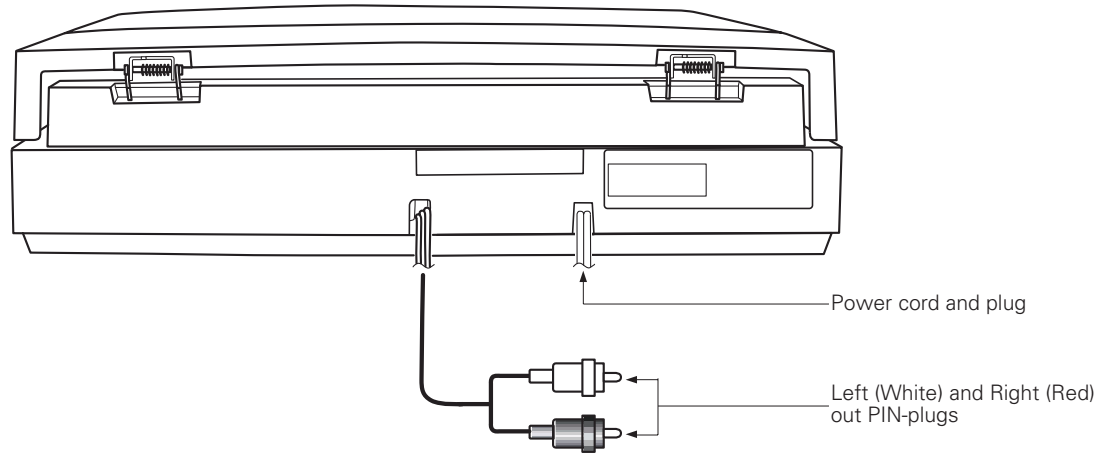
When the unit is connected to the AUX jacks, etc:



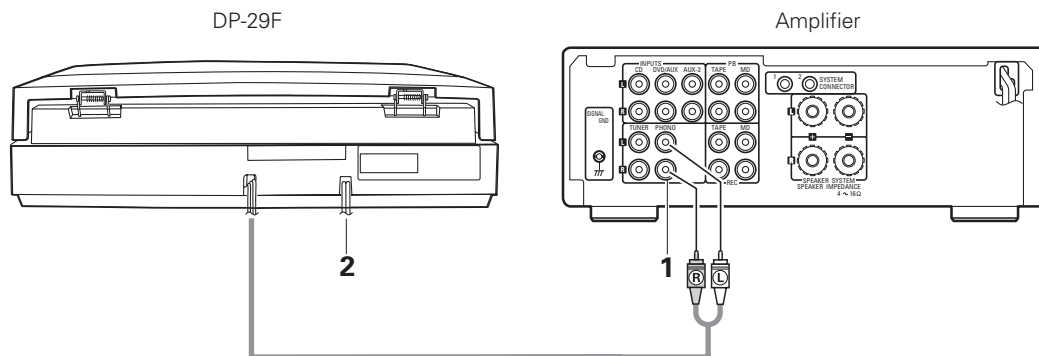
3 CONNECTIONS

Before beginning

- Turn off components.
- Connect the power cord last.
- Connect everything securely. Loose connections can lead to distortion.
- To prevent damage to cords, connect and disconnect by holding the plug, not the cord.
- Make sure that you connect the white PIN-plug to the left (L-white) jack and the red PIN-plug to the right (R-red) jack.



Connections

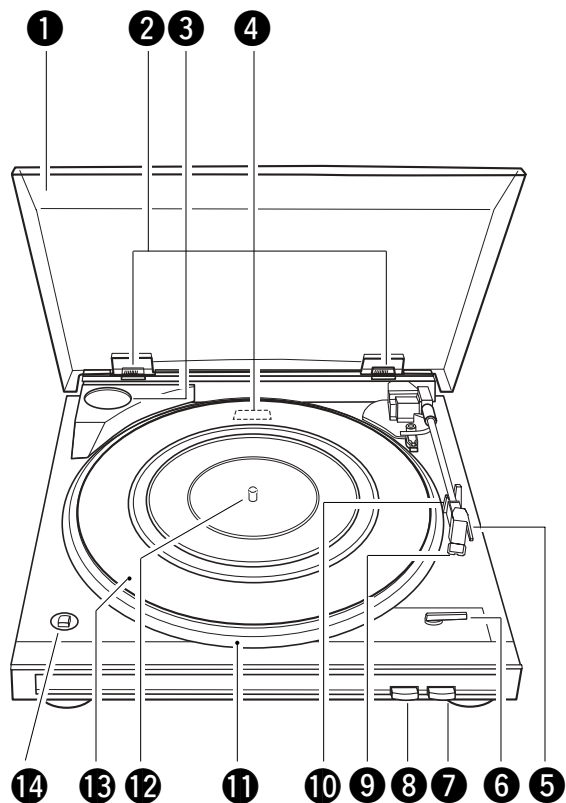


1	Connect the Left and Right PIN-plugs of the turntable's output cord to your amplifier's PHONO jacks etc.
2	<p>After all connections have been made.</p> <ul style="list-style-type: none"> • Connect the turntable's power cord to the AC OUTLET of your stereo amplifier, optional audio timer or directly to a household AC outlet.

NOTE:

- If the platter starts rotating when the power cord is connected, press the STOP button once.

4 CONTROLS

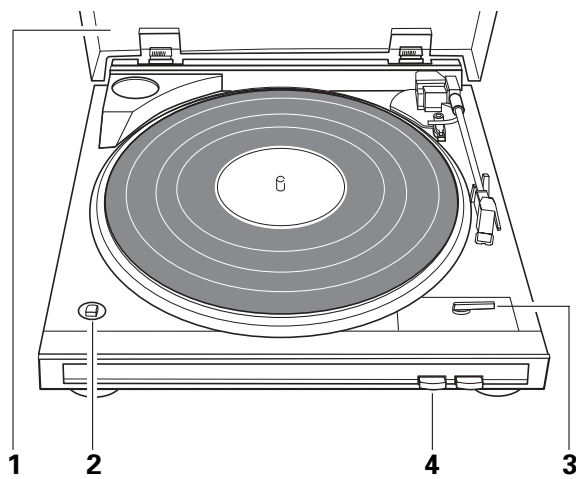


- 1 Dust cover
- 2 Dust cover hinge
- 3 45 rpm adaptor and holder
- 4 Equalizer amplifier switch
- 5 Finger lever
- 6 Size select lever
- 7 **STOP button**
 - To stop playback.
- 8 **START button**
 - To start playback.
- 9 **Cartridge**
- 10 **Tone arm rest**
 - Holds the tone arm.
- 11 **Platter**
- 12 **Spindle**
- 13 **Rubber mat**
- 14 **SPEED button (33 / 45)**
 - To select the playback speed.

5 RECORD PLAYBACK

Before beginning

- Turn on all the components.
- Set your amplifier's input selector to PHONO or AUX.
- Remove the stylus cover before playback.
- Use the provided 45 rpm adaptor when playing back 17 cm records (provided the center hole is a large one).



1	Open the dust cover and place the record you wish to playback on the platter.
2	Set the SPEED button according to the record playback speed. <ul style="list-style-type: none"> • 33-1/3 rpm record.....Set to 33 ■ • 45 rpm record.....Set to 45 ■
3	Set the selector lever according to the record size.
4	Press the START button firmly for at least 1 second. <ul style="list-style-type: none"> • The platter will start rotating, and playback will start automatically.
<p>After the full record has been played, the tone arm will return to the tone arm rest and the platter stops rotating automatically.</p>	

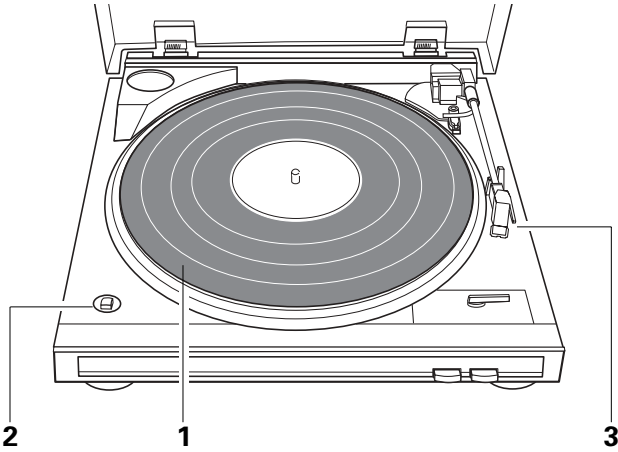
To stop playback
 Press the STOP button.
 Playback will stop and the tone arm will return to the tone arm rest.

On the automatic playback system

- Do not touch the tone arm and platter or turn off the power during playback.
- The auto return system is set to return the tone arm at a specific point on the record. There should be no problem with regular sized records, but with some record types which contain music grooves past this set point, playback will be interrupted.
- 25 cm records cannot be used with the automatic playback system. Playback these records manually. If the auto return system does not engage after playback is finished, press the STOP button.

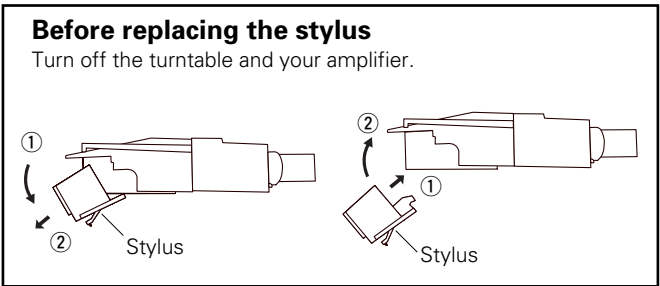
6 OPERATION DETAILS

Manual playback



1	Place the record you wish to play back on the platter.
2	Set the SPEED button according to the record.
3	Take hold of the finger lever, and move the tone arm to a point just above the beginning of the track you wish to play. <ul style="list-style-type: none"> • The platter will start to rotate.

Stylus replacement
 To provided stylus should be changed after approximately 400 hours of record playback. Grasp the cartridge firmly with one hand, and gently pull the stylus free from the cartridge with the other hand. Replace the stylus with the DSN-82.



7 TROUBLESHOOTING

No power.

Platter is not turning.

- Power cord is not connected properly. Check the power cord connection.
- The drive belt is not fitted to pulley. Check the drive belt.

No sound.

- The output cords are not connected properly. Connect them securely to your amplifier's PHONO or AUX jacks.
- The input selector on your amplifier is not set to PHONO or AUX. Set to PHONO or AUX.

Scratching noise.

Stylus jumps.

Distorted sound.

- Dirty stylus or record. Clean both the stylus and record before playback.
- Worn out stylus or record. Replace stylus or record.

Howling.

- The turntable is too close to the speaker system. Move it away from the speaker system.
- The turntable is placed in an unstable location. Place it on a flat and solid surface.
- The playback volume is too high. Turn down the volume control of your amplifier.

The tone arm will not move when pressing the START button.

- The tone arm is locked to the tone arm rest. Remove the tone arm lock before playback.

Should a problem persist, write down the model and serial number and all pertinent data regarding warranty coverage as well as clear description of the existing trouble. Then contact your nearest authorized DENON service station.

8 SPECIFICATIONS

Drive system:	Belt drive	Output voltage:	2.5 mV
Motor:	DC servo motor	Optimal stylus pressure:	3.5 g
Speed:	33-1/3 and 45 rpm	Power supply:	AC 120 V, 60 Hz (U.S.A. & Canada) AC 230 V, 50 Hz (Europe)
Wow & flutter:	0.15% WRMS	Power consumption:	2 W
Tone arm:	Dynamic balanced type	Dimensions:	360 (W) x 97 (H) x 357 (D) mm 14-3/16(W) x 3-13/16(H) x 14-1/16(D) in
Effective arm length:	195 mm	Mass:	2.8 kg (6.2 lbs)
Stylus pressure adjustment range:	3.5 g (fixed)		
Cartridge:	DSN-82		

For improvement purposes, specifications and design are subject to change without notice.

DENON

www.denon.com