



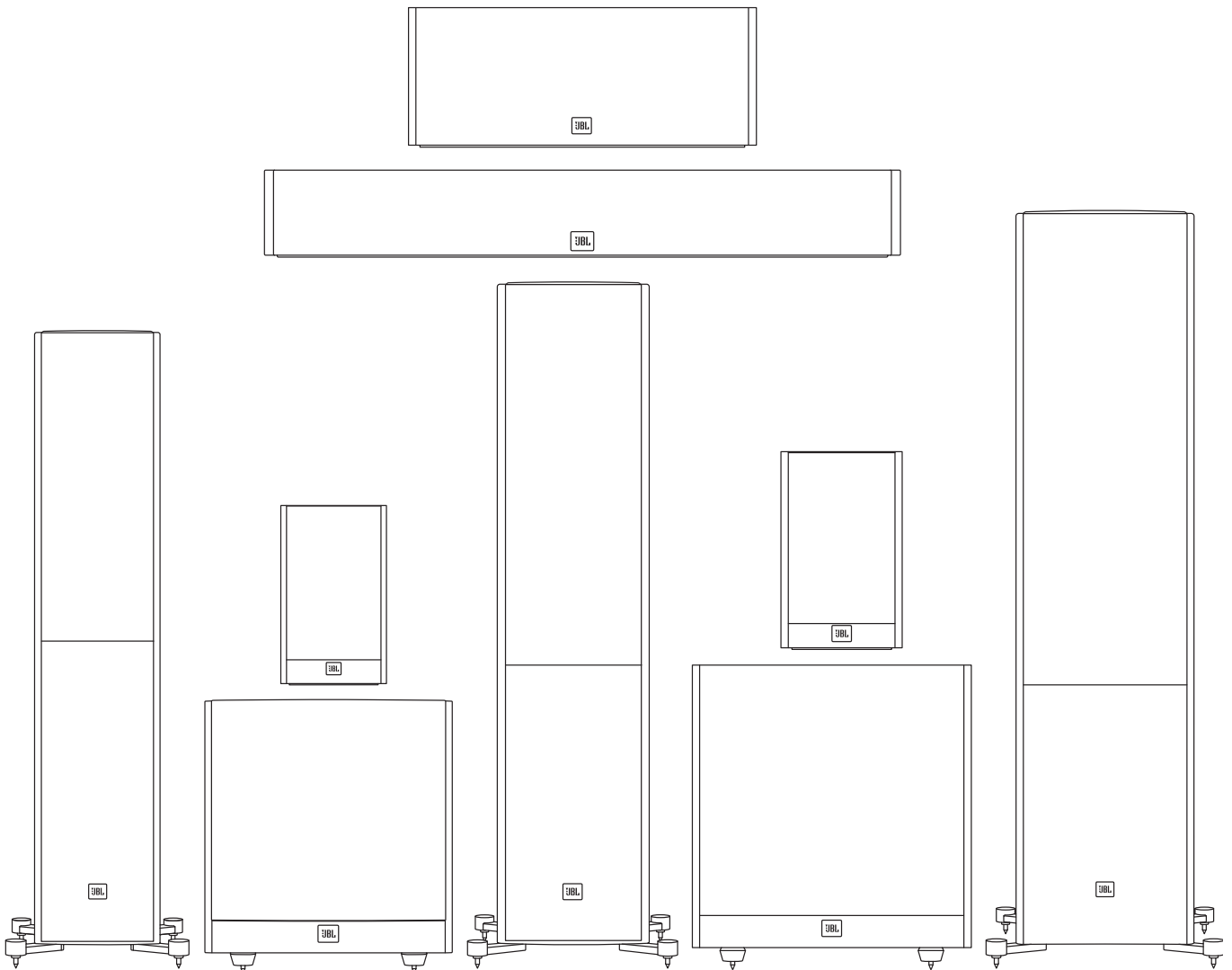
by HARMAN



AVAILABLE AT  
DIGITAL CINEMA

# JBL® STAGE SERIES

LOUDSPEAKERS





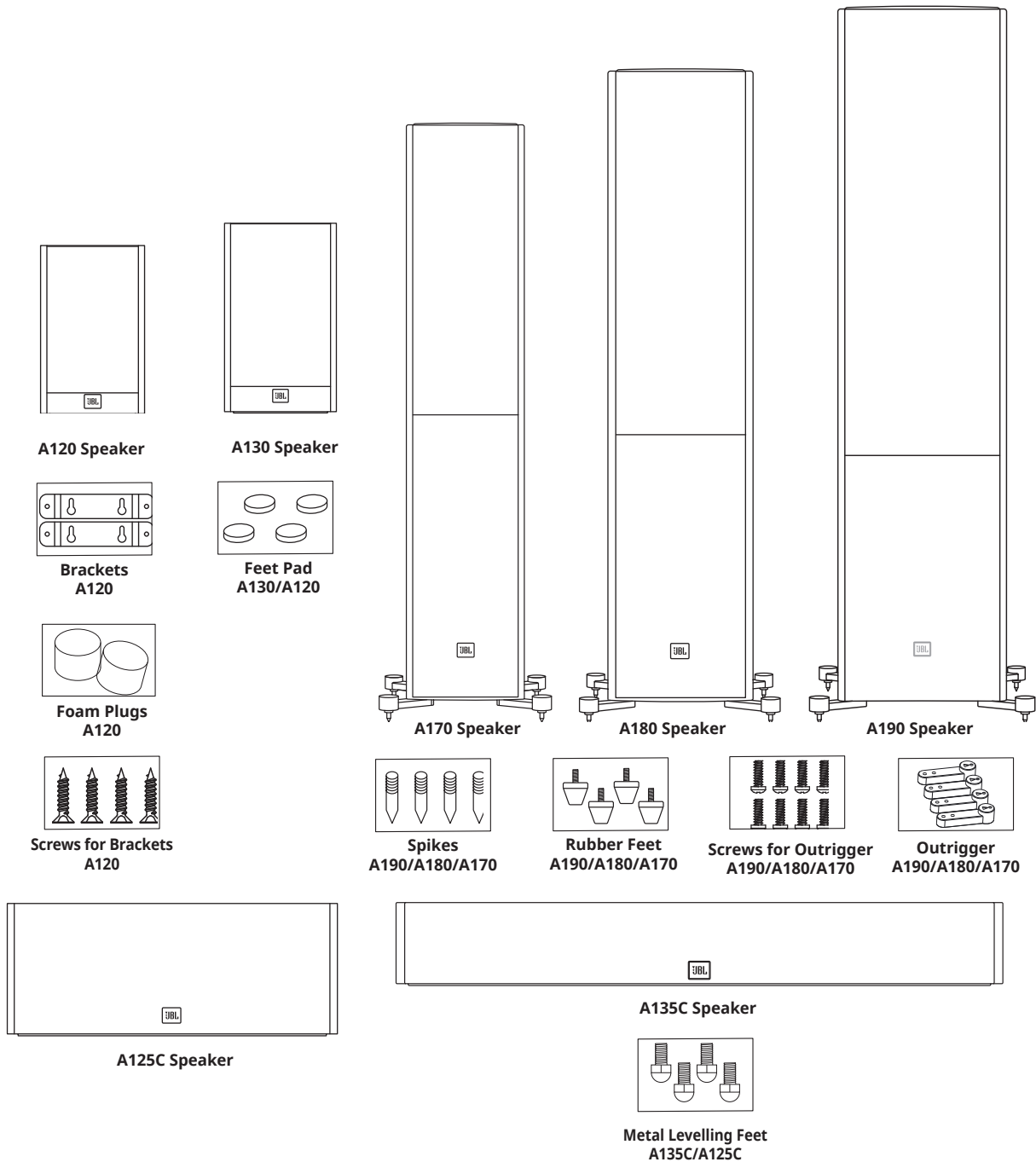
**THANK YOU FOR CHOOSING THIS JBL® PRODUCT**

For more than 68 years, JBL® engineers have been involved in every aspect of music and film recording and reproduction, from live performances to the recordings you play on-the-go and in your home, car or office.

We're confident that the JBL system you have chosen will provide every note of enjoyment you expect – and that when you think about purchasing additional audio equipment, you will once again choose JBL products.

**INCLUDED ITEMS**

Each box contains one or two loudspeakers, depending on the model, as indicated below.



Note: Attaching outrigger feet with spike or rubber feet.



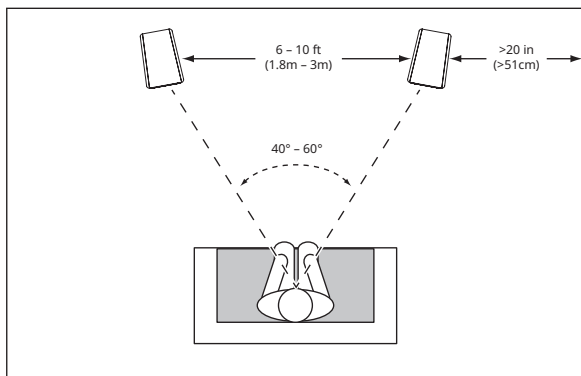
## PLACEMENT

### STAGE A190/A180/A170 – LEFT AND RIGHT CHANNELS

For best results, place the speakers 6 – 10 feet (1.8m – 3m) apart. Angling the speakers toward the listening position can improve the stereo imaging. The speakers will produce the most accurate stereo soundstage when the angle between the listener and the speakers is between 40 and 60 degrees.

Use the included carpet spikes for stability and improved performance if you are placing your Stage A190/A180/A170 speakers on a thick rug or plush carpeting. The carpet spikes can be manually screwed into outrigger feet provided.

**CAUTION: Floorstanding (tower) loudspeakers have a high center of gravity and may become unstable and tip over during earthquakes or if they are rocked, tipped or improperly positioned. Consider anchoring these speakers to the wall behind them, using the procedures and hardware customary for anchoring bookcases and wall units. You are responsible for proper installation and proper selection of hardware.**

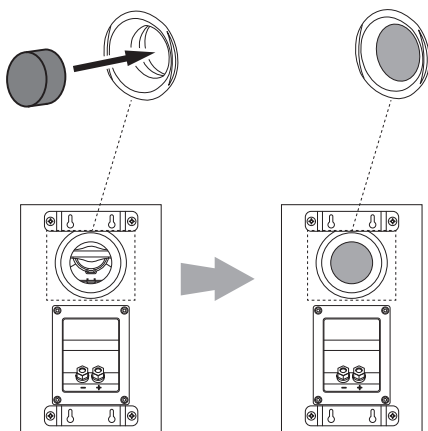


Generally, bass output will increase as the speaker is moved closer to a wall or corner.

For best performance, we recommend that you place the speakers at least 20 inches (51cm) away from the side and rear walls.

### FOAM PLUG

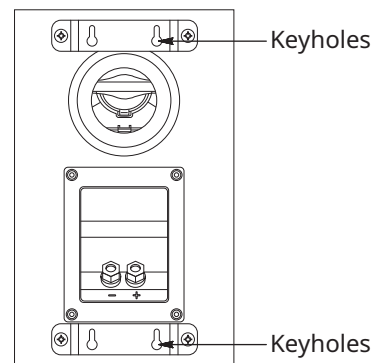
There are two operation modes for A120, Bookshelfloudspeaker & On-wall loudspeaker. In the Bookshelf mode, A120 is the ported system (port in rear), and in the On-wall mode, A120 is semi-sealed system which requires a foam plug inside the port.



### WALL-MOUNTING THE STAGE A120

We have designed the Stage A120 speakers to mount directly onto a wall. Each speaker has four keyholes on the back and will require four 4.0x38mm wood screws fastened to a wall stud. If a wall stud is unavailable, install an anchor appropriate for a 4.0x38mm screw.

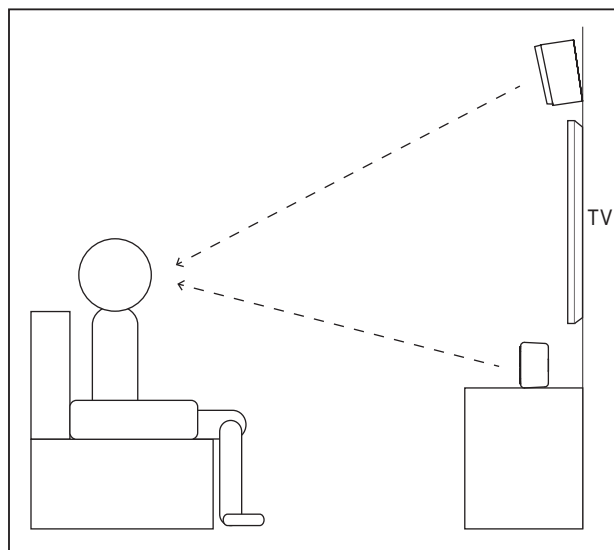
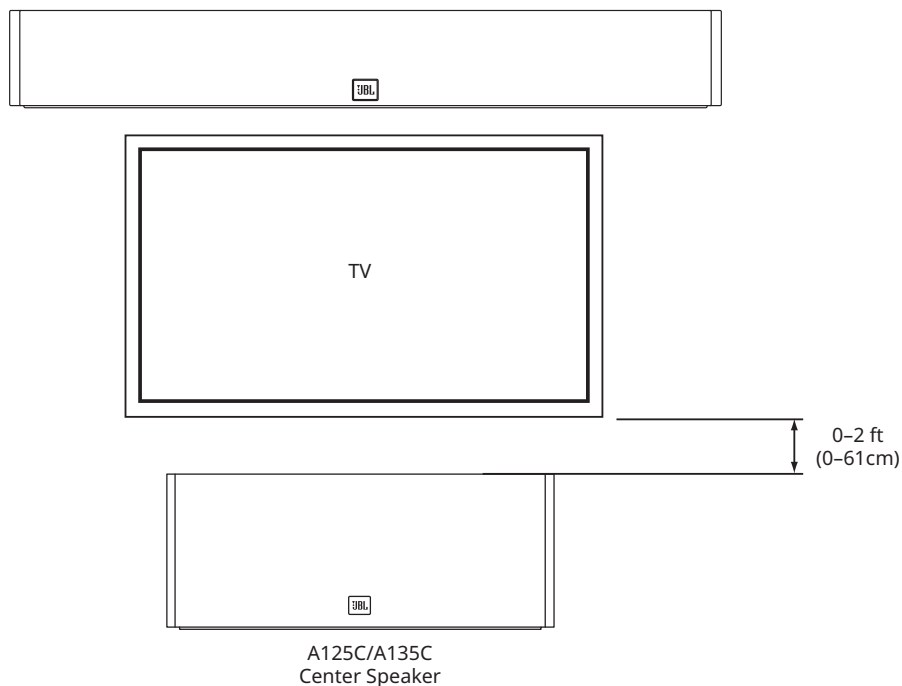
NOTE: You are responsible for the correct selection and use of mounting hardware (available through hardware stores) that will ensure the proper and safe wall-mounting of the speakers. 4.0x38mm wood screws not provided.



- 1) Using the included wall brackets, mark the positions on the wall where you would like to place the mounting screws.
- 2) Fasten four 4.0x38mm wood screws to the wall using the markings from Step 1 as your guide. Leave an 1/16" (1.59mm) space between the wall and screwhead. If a wall stud is not available, use an appropriate anchor.
- 3) Place the speaker on the wall by aligning the keyholes on the back of the speaker to the screwheads on the wall. Once positioned properly, the speaker should slide down slightly and become secure.

**STAGE A125C/135C**

You should place the center speaker directly above or below the center of your TV screen.

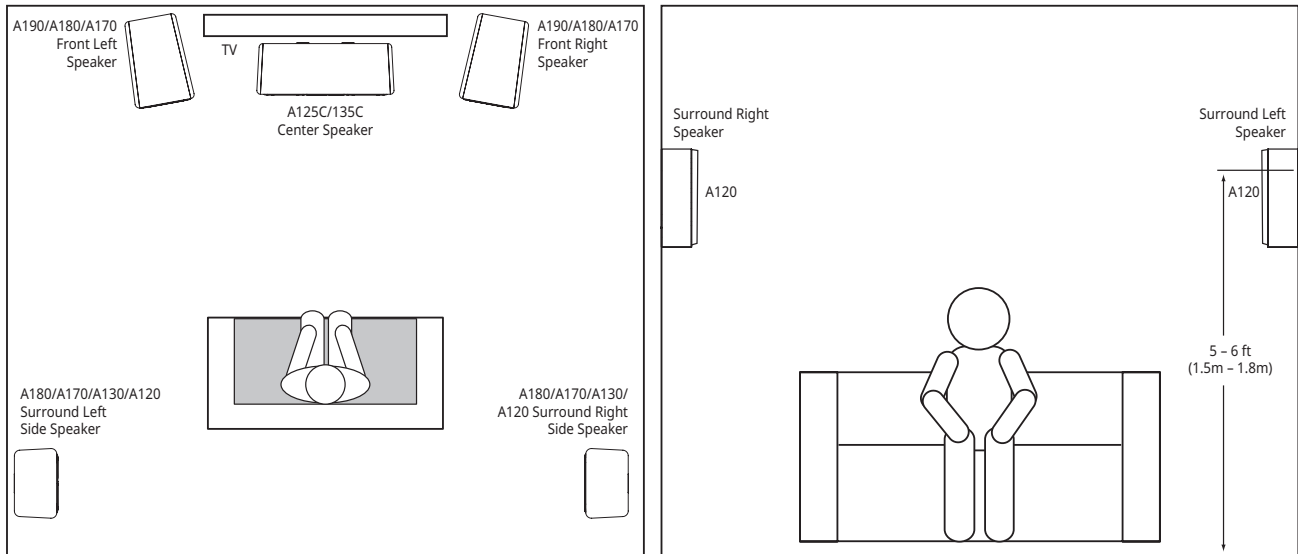


Note: You can place A125C/A135C below or above the TV.

Note: For better audio listening performance, please align the center speaker towards your head level position.

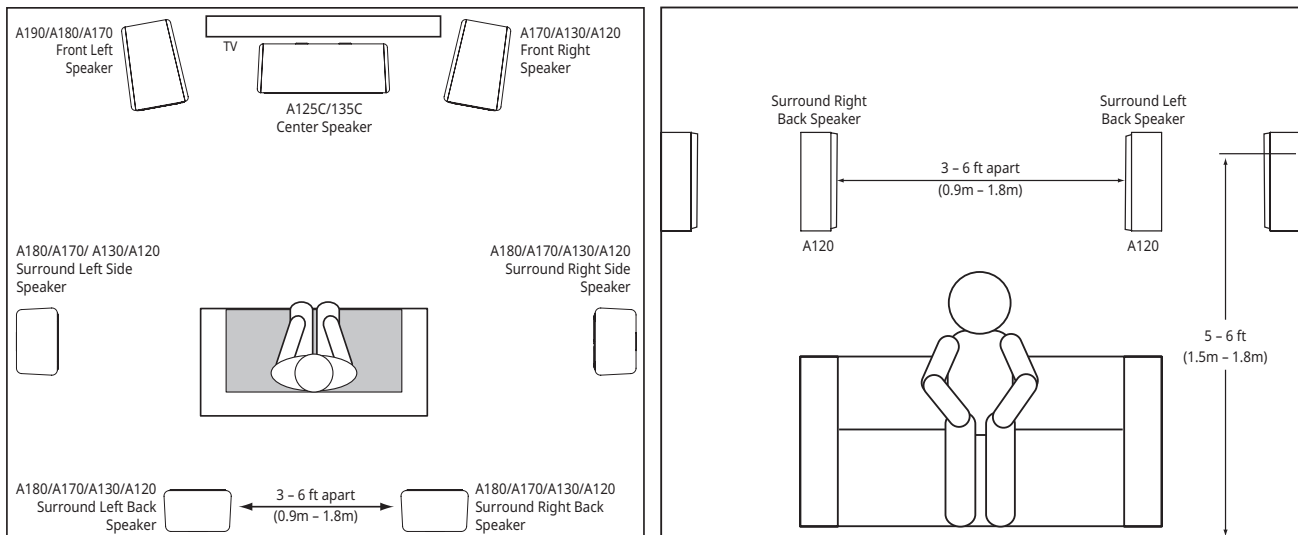
### STAGE A120 – SURROUND CHANNELS (5.1-CHANNEL SYSTEM)

When you use these speakers as surround-channel speakers in a 5.1-channel system, place them slightly behind the listening position, facing each other. Ideally, they should be 5 – 6 feet (1.5m – 1.8m) above the floor. An alternate location would be on a wall behind the listening position, facing forward. The surround speakers should not call attention to themselves while they're playing. Experiment with their placement until you hear a diffuse, ambient sound accompanying the sounds that you hear from the front left, front right and center speakers.



### STAGE A120 – SURROUND CHANNELS (7.1-CHANNEL SYSTEM)

When you use these speakers as surround-channel speakers in a 7.1-channel system, place the surround side speakers directly to the sides of the listening position, at least 5 – 6 feet (1.5m – 1.8m) above the floor.





## CONNECTIONS

**CAUTION:** Make sure that all of the system's electrical components are turned OFF (and preferably unplugged from their AC outlets) before making any connections.

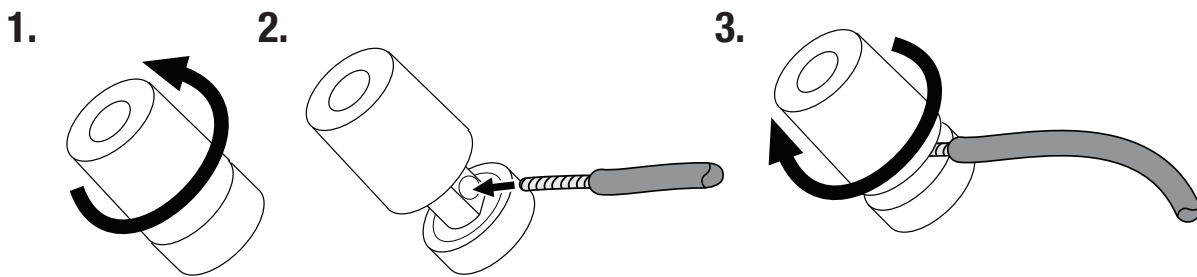
Speakers and amplifiers have corresponding positive and negative ("+" and "-") connection terminals. All Stage series speakers have connection terminals that are marked "+" and "-" on the terminal-cup assembly. Additionally, the "+" terminals have red markings, while the "-" terminals have black markings.

To ensure proper polarity, connect each "+" terminal on the back of the amplifier or receiver to the respective "+" (red) terminal on each speaker. Connect the "-" terminals in a similar way. Do not reverse polarities (i.e., "+" to "-" or "-" to "+") when making connections. Doing so will cause poor stereo imaging and diminished bass performance.

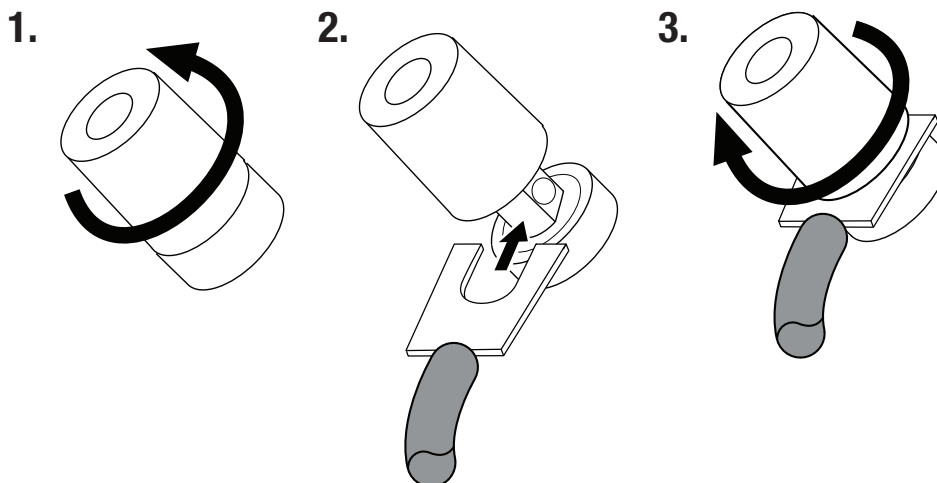
**IMPORTANT :** Make sure the (+) and (-) wires or connectors do not touch each other or the other terminal. Touching wires can cause a short circuit that can damage your receiver or amplifier.

The Stage series speakers' gold-plated speaker connectors can accept a variety of wire connector types: bare wire, pin connectors, spade connectors and banana connectors.

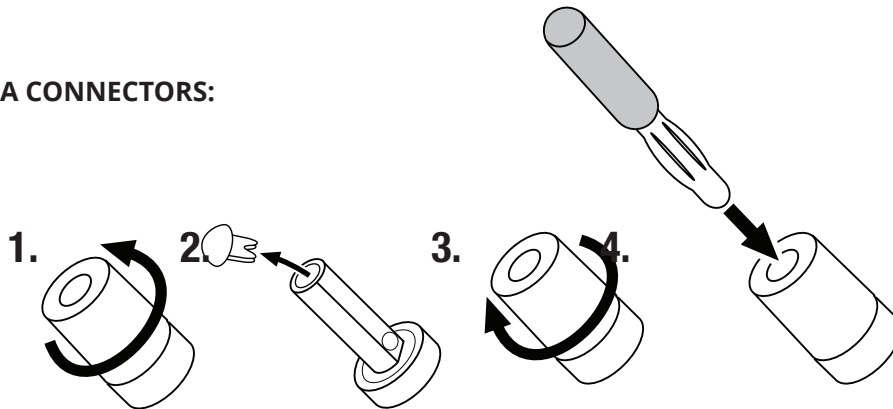
### USING BARE WIRE OR PIN CONNECTORS:



### USING SPADE CONNECTORS:



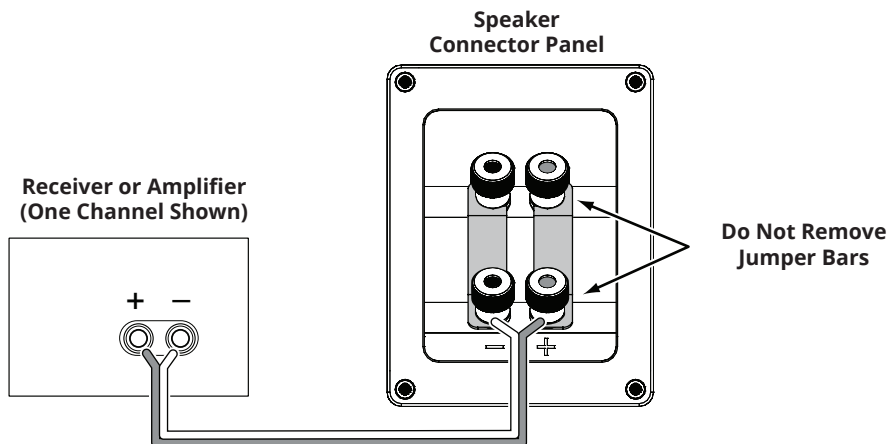
**USING BANANA CONNECTORS:**



**BASIC SINGLE-WIRE CONNECTION**

To connect the speakers using a single wire, connect the amplifier to each speaker as shown in the illustration below.

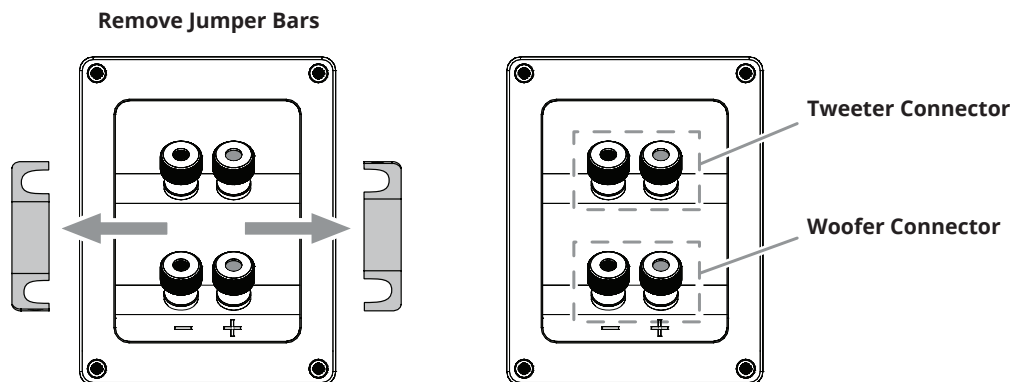
**IMPORTANT: Do not remove the metal jumper bars from between the two sets of connectors when connecting the speaker wires.**



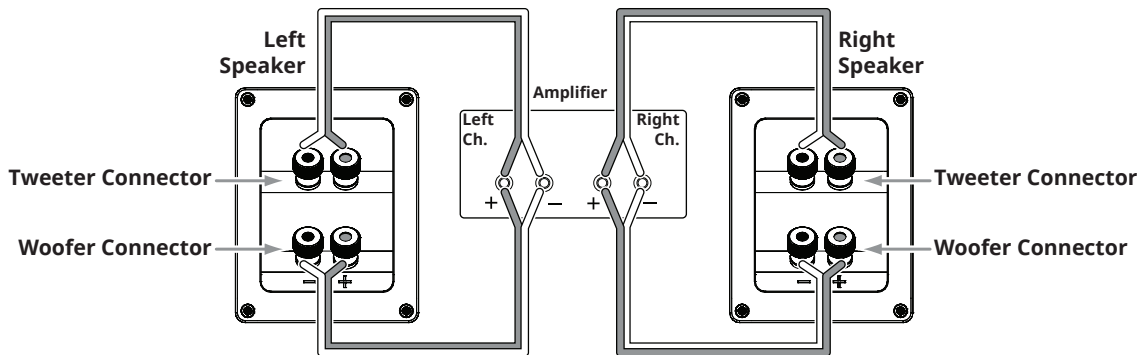
**BI-WIRE CONNECTION**

All Stage series speaker connector panels have two sets of input connectors that are joined by metal jumper bars. The upper set of connectors is for the tweeter driver assembly, and the lower set of connectors is for the woofer(s). This arrangement allows you to bi-wire the speakers using a single stereo amplifier or using two stereo amplifiers. Bi-wiring can offer performance advantages and more flexibility in power-amplifier selection over a conventional single-wire connection.

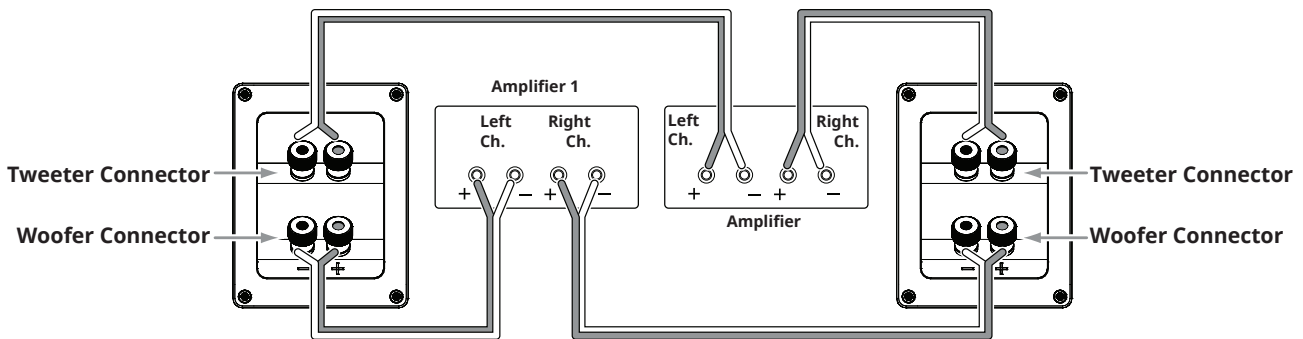
Before bi-wiring the speakers, remove the jumper bars.



## SINGLE-AMPLIFIER BI-WIRING



## DUAL-AMPLIFIER BI-WIRING



For more information about various speaker-wire and connection options, contact your local JBL dealer.

## CARING FOR YOUR SPEAKERS

- Do not place objects on top of the speaker.
- Wipe the cabinet with a clean, dry cloth to remove dust. Damp cloths may dull the cabinet finish. Do not use volatile liquids or solvents such as benzene, paint thinner or alcohol on the cabinet.
- Do not spray chemicals near the cabinet.
- To remove dust from the grille fabric, use a vacuum cleaner set to "low" suction.
- Do not wash the grilles in water, as it may fade the color or make them uneven.
- If the woofer cones become dusty, you can carefully sweep them clean with a soft, dry calligraphy brush or paint brush. Do not use a damp cloth.
- NEVER touch the tweeter dome or put anything against it.



## Technical Specification

### STAGE A120

#### 2 way, 4.5" woofer, 1" Aluminum tweeter Bookshelf /Surround Loudspeakers

- 4.5" (114mm) Polycellulose Low-Frequency Woofer
- New High Definition Imaging (HDI) Waveguide 1" (25mm) Aluminum Dome Tweeter
- Recommended Amplifier Power: 20 - 150W
- Frequency Response: 57Hz - 40kHz
- Sensitivity: 85 dB
- Nominal Impedance: 6 Ohms
- Crossover Frequencies: 2.1kHz
- Enclosure Type: Bass-Reflex via Rear-Firing Tuned Port
- Dimensions (W x D x H): 170 x 170 x 285 mm
- Weight (each): ?? lbs (?? kg)

### STAGE A130

#### 2 way, 5.25" woofer, 1" Aluminum Tweeter Bookshelf

- 5.25" (133mm) Polycellulose Low-Frequency Woofer
- New High Definition Imaging (HDI) Waveguide 1" (25mm) Aluminum Dome Tweeter
- Recommended Amplifier Power: 20 - 150W
- Frequency Response: 50Hz - 40kHz
- Sensitivity: 86 dB
- Nominal Impedance: 6 Ohms
- Crossover Frequencies: 2.1kHz
- Enclosure Type: Bass-Reflex via Rear-Firing Tuned Port
- Dimensions (W x D x H): 190 x 230 x 321 mm
- Weight (each): ?? lbs (?? kg)

### STAGE A125C

#### 2 way, dual 5.25" woofer, 1" aluminum tweeter center Loudspeaker

- Dual 5.25" (133mm) Polycellulose Low-Frequency Woofer
- New High Definition Imaging (HDI) Waveguide 1" (25mm) Aluminum Dome Tweeter
- Recommended Amplifier Power: 20 - 200W
- Frequency Response: 52Hz - 40kHz
- Sensitivity: 88 dB
- Nominal Impedance: 6 Ohms
- Crossover Frequencies: 2.1kHz
- Enclosure Type: Sealed
- Dimensions (W x D x H): 469 x 220 x 190 mm
- Weight: ?? lbs (?? kg)

### STAGE A135C

#### 2 way, 6 X 3" woofer, 1" aluminum tweeter center Loudspeaker

- 6 x 3" (76mm) Polycellulose Low-Frequency Woofer
- New High Definition Imaging (HDI) Waveguide 1" (25mm) Aluminum Dome Tweeter
- Recommended Amplifier Power: 20 - 100W
- Frequency Response: 74Hz - 40kHz
- Sensitivity: 88 dB
- Nominal Impedance: 6 Ohms
- Crossover Frequencies: 2.1kHz
- Enclosure Type: Bass-Reflex via Side-Firing Tuned Ports
- Dimensions (W x D x H): 745 x 166 x 104 mm
- Weight: ?? lbs (?? kg)

### STAGE A170

#### 2.5 way, dual 5.25", 1" aluminum tweeter floor standing Loudspeakers

- 2x5.25" (133mm) Polycellulose Low-Frequency Woofer
- New High Definition Imaging (HDI) Waveguide 1" (25mm) Aluminum Dome Tweeter
- Recommended Amplifier Power: 20-200W
- Frequency Response: 44Hz - 40kHz
- Sensitivity: 89 dB
- Nominal Impedance: 6 Ohms
- Crossover Frequencies: 2.1kHz
- Enclosure Type: Bass-Reflex via Rear-Firing Tuned Port
- Dimensions (W x D x H): 190 x 255 x 930 mm
- Weight: ?? lbs (?? kg)

### STAGE A180

#### 2.5 way, dual 6.5", 1" aluminum tweeter floor standing Loudspeakers

- 2x6.5" (165mm) Polycellulose Low-Frequency Woofer
- New High Definition Imaging (HDI) Waveguide 1" (25mm) Aluminum Dome Tweeter
- Recommended Amplifier Power: 20 - 225W
- Frequency Response: 37Hz - 40kHz
- Sensitivity: 89 dB
- Nominal Impedance: 6 Ohms
- Crossover Frequencies: 2.1kHz
- Enclosure Type: Bass-Reflex via Rear-Firing Tuned Port
- Dimensions (W x D x H): 230 x 295 x 1000 mm
- Weight: ?? lbs (?? kg)



## STAGE A190

### 2.5 way, dual 8", 1" aluminum tweeter floor standing Loudspeakers

- 2x8" (203mm) Polycellulose Low-Frequency Woofer
- New High Definition Imaging (HDI) Waveguide 1" (25mm) Aluminum Dome Tweeter
- Recommended Amplifier Power: 20 - 225W
- Frequency Response: 36Hz - 40kHz
- Sensitivity: 91 dB
- Nominal Impedance: 6 Ohms
- Crossover Frequencies: 2.1kHz
- Enclosure Type: Bass-Reflex via Rear-Firing Tuned Port
- Dimensions (H x W x D x H): 260 x 370 x 1070 mm
- Weight: ?? lbs (?? kg)



HARMAN International Industries, Inc.  
8500 Balboa Boulevard, Northridge, CA 91329 USA

© 2017 HARMAN International Industries, Incorporated. All rights reserved.

Features, specifications and appearance are subject to change without notice.

[www.jbl.com](http://www.jbl.com)

