

# Thank you for choosing Jamo.

## PLACEMENT

Make certain the 1060SW is located between wall studs to avoid cutting into studs. Place the supplied template a minimum of 1/2" from any studs. Level template and draw a line around it to mark the cutout. Take care when cutting the hole to avoid cutting into pipes or electrical conduits. If you encounter pipes, electrical conduits or other obstacles you may have to select another location for the 1060SW.

## INSTALLATION

Before installing the 1060SW connect the speaker wires as described under "Hookup". Remove the grill from the 1060SW. Insert 4 bolts (included) through holes A (fig. 1). Screw these bolts a few turns into threaded holes B (fig. 2) in the metal bracket. Insert the bottom of the bracket into the cutout in the wall. Move the 1060SW down until the top of the bracket fits into the cutout. Center the 1060SW and bracket in the cutout and tighten all 4 bolts. Reinstall the grill on the 1060SW. If the grill has a loose fit and/or is vibrating when playing the 1060SW remove the grill, install the supplied non-curing glue strips at locations C (fig. 1) and reinstall the grill.



Fig. 1

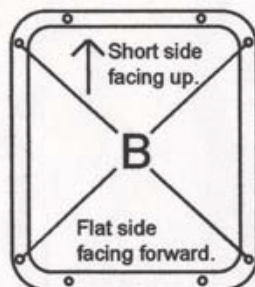


Fig. 2

## HOOKUP

The amplifier must be turned OFF before you install the 1060SW, the crossover and satellite speakers or it may cause damage to the amplifier.

Install the crossover at a convenient location within the vicinity of the 1060SW and satellite speakers. ~~Connect the crossover to the amplifier, satellite speakers and the 1060SW (fig.3).~~ Connect the crossover to the amplifier, satellite speakers and the 1060SW (fig.3).

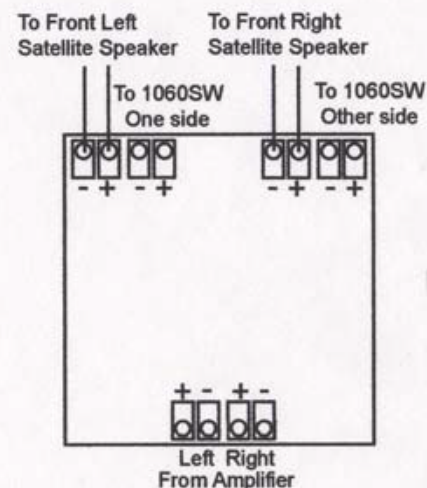


Fig. 3

When connecting speaker cables/wires make sure LEFT (L) is connected to LEFT (L), RIGHT (R) to RIGHT (R), POSITIVE (+) to POSITIVE (+) and NEGATIVE (-) to NEGATIVE (-). If terminals are color coded, RED is POSITIVE (+) and BLACK is NEGATIVE (-). It is not necessary to connect the satellite speakers thru the 1060SW crossover, however it is recommended. Frequencies below 150 Hz, which are sent to the 1060SW, are thereby not sent to the satellite speakers.

## CUSTOM PAINTING

The grill and frame may be painted to match your decor. Paint the grill and frame separately before mounting to the wall. After painting the grill blow air through the holes to prevent clogging.