

# ZI-8



AVAILABLE AT  
DIGITAL CINEMA



**WARNING:** Improper installation could result in damage to the amplifier. Read all instructions before installation.

**Jamo**<sup>®</sup>  
*Let's get personal*

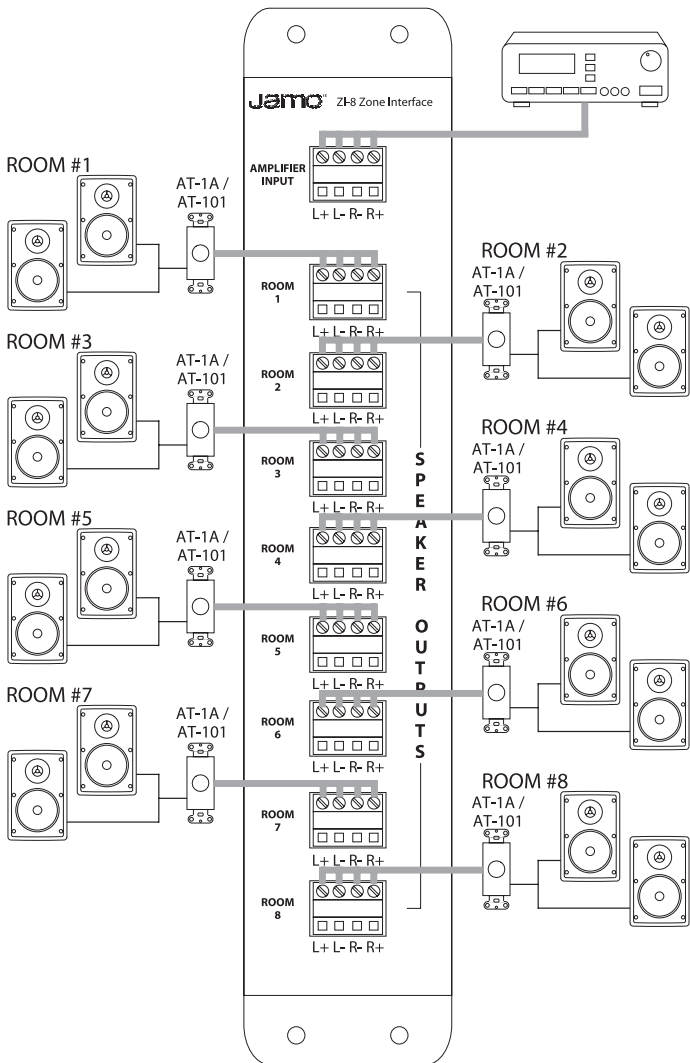
## Introduction

The ZI-8 provides a convenient way to connect up to 8 pairs of speakers in parallel to one amplifier/receiver. If the speakers are connected directly to the ZI-8 the level of all speakers will be controlled by the amplifiers volume control.

Installing volume controls (AT-1A or AT-101) between the ZI-8 and the speakers, as shown in the schematic below, provides the ability to control the volume individually for each speaker pair.

### **SPECIFICATIONS:**

- Accommodates 8 pairs of speakers
- Automatic Impedance Protection (minimum 4 ohm).
- Power Handling: 180 Watts Audio
- Heavy Duty Screw Terminal Connectors accept up to 12 gauge of wire
- Size (LxHxW): 12 x 5 x 6cm / 12 x 2 x 2½in
- Weight: 0,9kg / 2lb



## The scope of the warranty

The warranty period will come into force as from the purchase date stated on the invoice. The warranty will apply for the following period of time:

- 2 years for electronics (power supply, amplifier, etc.)
- 7 years for other parts (cabinet, speaker units, etc.)

In case of warranty inquiries, please contact your dealer.

In case of request for service under warranty, please enclose your original receipt.

### Defects covered by the warranty:

Except for the defects stated below, the warranty covers any production and material defects of the product.

### Defects not covered by the warranty:

- Defects arising from accidents, misuse, normal wear and tear, mis-maintenance, voltage variation, overloading, stroke of lightning, and other force majeure events
- Defects arising from incorrect installation or operation
- Defects arising from modification/repair/attempt of repair by a non-authorized service centre
- Defects arising from the use of non-original spare parts
- Defects on products with altered or lacking series number
- Other defects due to conditions or circumstances beyond the supplier's control

Transportation costs for servicing are not covered by the warranty.

The supplier is liable only to repair or replace defective parts or products. A replacement cannot exceed the value of the product under warranty.