

kanto 

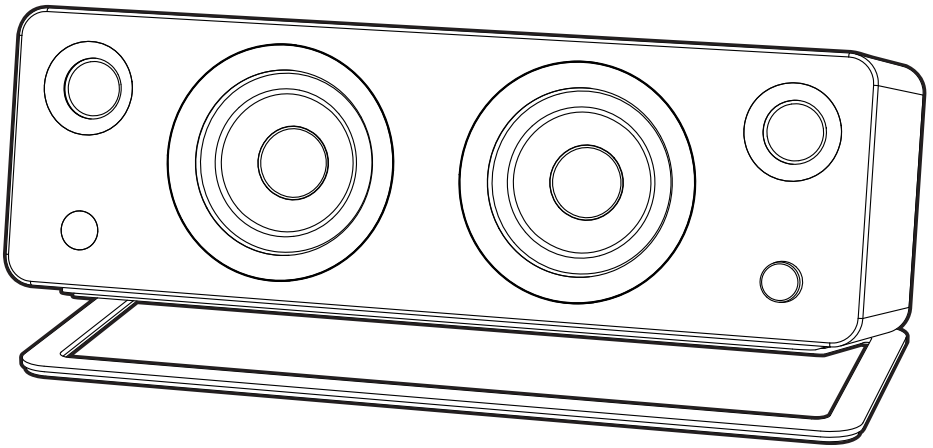
English
User Manual
SYD Powered Speaker



Qualcomm® aptX™



AVAILABLE AT
DIGITAL CINEMA



kanto 
SYD

Important Safety Precautions



ATTENTION

The exclamation point within an equilateral triangle is intended to alert the user of the presence of important operating and maintenance (servicing) instructions in the literature accompanying the apparatus.

CAUTION RISK OF ELECTRIC SHOCK DO NOT OPEN

CAUTION: TO REDUCE THE RISK OF ELECTRIC SHOCK, DO NOT REMOVE BACK PANEL. NO USER SERVICEABLE PARTS INSIDE. REFER SERVICING TO QUALIFIED SERVICE PERSONNEL.



DANGEROUS VOLTAGE

The lightning flash with arrowhead, within an equilateral triangle, is intended to alert the user of the presence of non-insulated "dangerous voltage" within the product's enclosure that may be of sufficient magnitude to constitute a risk of electric shock to persons.

1. Read these instructions.
2. Keep these instructions.
3. Heed all warnings.
4. Follow all instructions.
5. Do not use this apparatus near water.
6. Clean only with a dry cloth.
7. Do not block any ventilation openings. Install in accordance with the manufacturer's instructions.
8. Do not install near any heat sources such as radiators, heat registers, stoves, or other apparatus (including amplifiers) that produce heat.
9. Do not defeat the safety purpose of the polarized plug. A polarized plug has two blades with one wider than the other. The wide blade is provided for your safety. If the provided plug does not fit into your outlet, consult an electrician for replacement of the obsolete outlet.
10. Protect the power-supply cord from being walked on or pinched, particularly at plugs, convenience receptacles and the point where they exit from the apparatus.
11. Only use attachments / accessories specified by the manufacturer.
12. Use only with the cart, stand, tripod, bracket, or table specified by the manufacturer, or sold with the apparatus. When a cart is used, use caution when moving the cart/apparatus combination to avoid injury from tip-over.
13. Unplug this apparatus during lightning storms or when unused for long periods of time.
14. Refer all servicing to qualified service personnel. Servicing is required when the apparatus has been damaged in any way, such as power-

- supply cord or plug is damaged, liquid has been spilled or objects have fallen into the apparatus, the apparatus has been exposed to rain or moisture, the apparatus does not operate normally, or the apparatus has been dropped.
15. The equipment shall be used at a maximum 35 degrees C temperature.
16. To reduce the risk of electrical shock, do not open the device. No user serviceable parts inside. Refer servicing to qualified service personnel.
17. WARNING: to reduce the risk of fire or electric shock, do not expose this apparatus to rain or moisture. The apparatus shall not be exposed to dripping or splashing. Do not place objects containing liquid, such as vases, on the apparatus.
18. The MAINS plug is used as the disconnect device and shall remain readily operable.
19. The product shall be used on an open bench
20. Do not place naked flame sources such as lit candles on the apparatus
21. Protective earthing terminal. The apparatus should be connected to a mains socket outlet with a protective earthing connection
22. CAUTION: danger of explosion if battery is incorrectly replaced. Replace only with the same or equivalent type. WARNING: Batteries or battery packs shall not be exposed to excessive heat such as sunshine fire or the like.



FCC Notice:

This device complies with part 15 of the FCC Rules. Operation is subject to the following two conditions: (1) this device may not cause harmful interference, and (2) this device must accept any interference received, including interference that may cause undesired operation.

NOTE 1: This equipment has been tested and found to comply with the limits for a Class B digital device, pursuant to part 15 of the FCC rules. These limits are designed to provide reasonable protection against harmful interference in a residential installation. This equipment generates, uses and can radiate radio frequency energy and, if not installed and used in accordance with the instructions, may cause harmful interference to radio communications. However there is no guarantee that interference will not occur in a particular installation. If this equipment does cause harmful interference to radio or television reception, which can be determined by turning the equipment off and on, the user is encouraged to try to correct the interference by one or more of the following measures:

- Reorient or relocate the receiving antenna
- Increase the separation between the equipment and receiver
- Connect the equipment into an outlet on a circuit different from that to which the receiver is connected
- Consult the dealer or an experienced radio/TV technician for help

NOTE 2: Any changes or modifications to this unit not expressly approved by the party responsible for compliance could void the user's authority to operate the equipment.

Industry Canada Notice:

This device complies with Industry Canada's licence-exempt RSSs.

Operation is subject to the following two conditions: (1) this device may not cause interference, and (2) this device must accept any interference, including interference that may cause undesired operation of the device.

Under Industry Canada regulations, this radio transmitter may only operate using an antenna of a type and maximum (or lesser) gain approved for the transmitter by Industry Canada. To reduce potential radio interference to other users, the antenna type and its gain should be so chosen that the equivalent isotropically radiated power (e.i.r.p.) is not more than that necessary for successful communication.

This device complies with Canadian ICES-003 and RSS-210

Le présent appareil est conforme aux CNR d'Industrie Canada applicables aux appareils radio exempts de licence

L'exploitation est autorisée à deux conditions suivantes:

(1) l'appareil ne doit pas produire de brouillage, et

(2) l'utilisateur de l'appareil doit accepter tout brouillage radioélectrique subi, même si le brouillage est susceptible d'en le fonctionnement.

Introduction

Thank you for choosing a SYD Powered Speaker, designed by Kanto in Canada. SYD outputs 140W Peak power for remarkably bold and clean sound. Excellent sensitivity and frequency response provide deep thumping lows and clear, scintillating highs. SYD is an amazingly flexible speaker system that can accept four input sources and connect to a subwoofer for enhanced low frequency response. Additionally, it is equipped with the latest Bluetooth technology and a USB port for charging your devices. SYD has a universal input power supply and can be used worldwide from 110V AC to 240V AC.

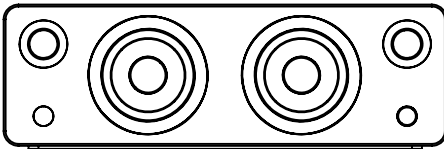
We recommend you read all instructions carefully before using the system and keep them for future reference. Kanto cannot be liable for damage or injury caused by incorrect setup or use of this product.

This powered speaker system was carefully tested and inspected during production, and before packaging and shipping. After unpacking, please check for any damage. It is rare that a unit is damaged during shipping, but if this happens contact your retailer immediately. You can also contact Kanto directly using one of the methods below.

Email: support@kantoliving.com

Toll Free: US & Canada: 1-888-848-2643 | UK: +44 800086999

What's In the Box?



SYD Speaker

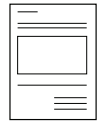


SYD Remote



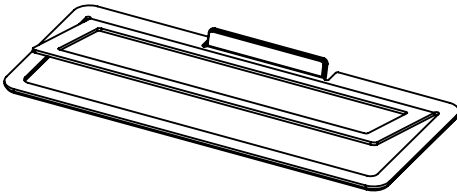
x2

'AAA' Batteries



x3

User Manuals



SYD Stand

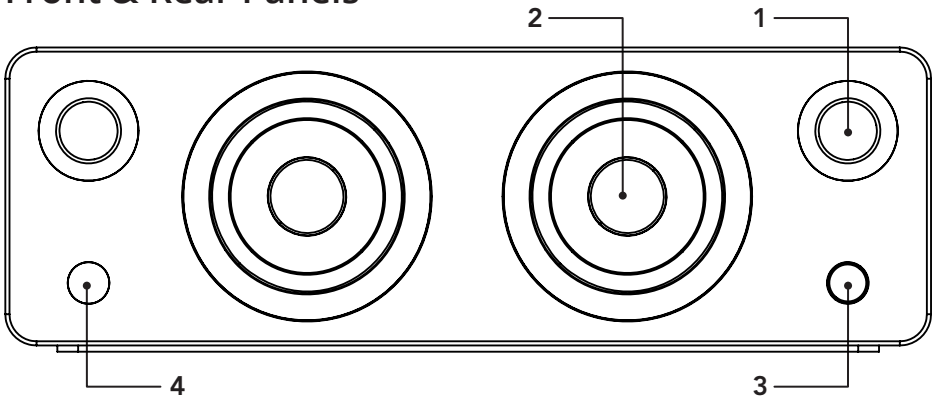


Power Cord



3.5 mm cable
AUX

Front & Rear Panels



FRONT PANEL

- 1 1" Silk Dome Tweeter
- 2 4" Kevlar® Mid/Woofer Driver
- 3 Volume / Input Select / Standby / Wake-up

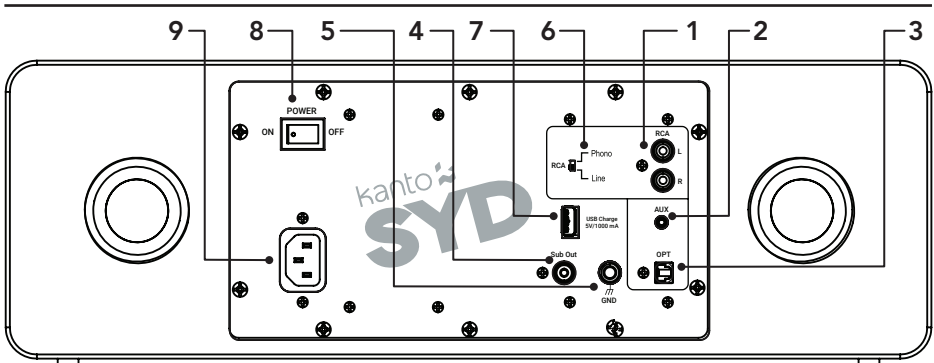
- 4 Status LED
 - White - Power on / Playback Mode
 - Yellow - Standby (solid)
 - Mute (flashing)
 - Blue - Bluetooth Discover Mode (flashing)
 - Paired (solid)

SYD's volume knob functions as an input select knob as well.

Push the knob to select an input source - it cycles through the following inputs depending on what input source was last used.

RCA → AUX → OPT → BLUETOOTH

Push and hold the knob to enter standby or wake up from standby



REAR PANEL

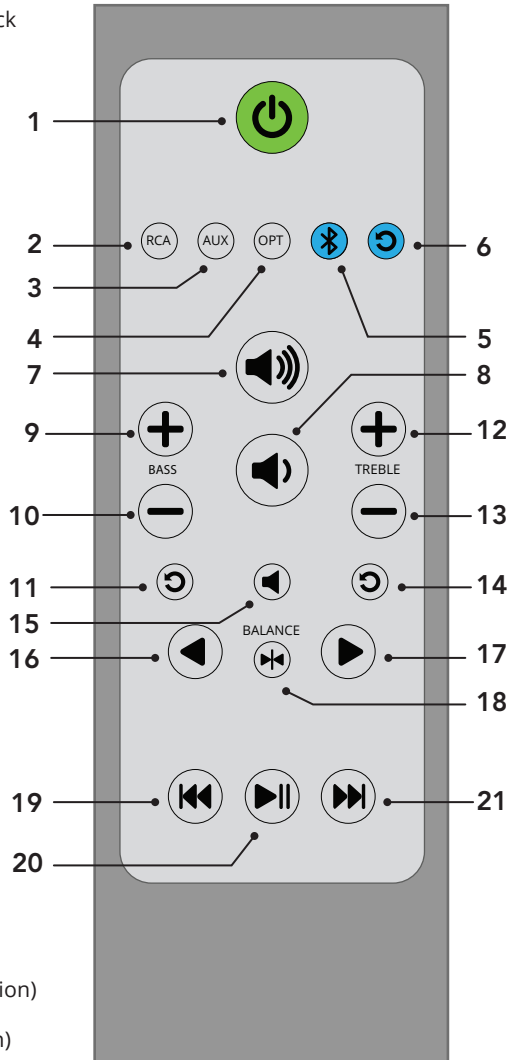
- 1 RCA L/R Input
- 2 3.5 mm AUX Input
- 3 Optical Input
- 4 Subwoofer Output

- 5 Turntable Ground Post
- 6 RCA input Phono/Line switch
- 7 USB Charge Port (5 V 1.0A)
- 8 ON / OFF Switch
- 9 AC Input Connection

Remote Control

Install two supplied AAA batteries in the back of your SYD remote. Remote Control functions are listed below.

- 1 Standby Button - press to enter Standby Mode or return to Playback Mode
- 2 RCA Input Select
- 3 3.5 mm Stereo AUX Input Select
- 4 Optical Input Select
- 5 Bluetooth® Input Select
- 6 Bluetooth® Reset
- 7 Increase Volume
- 8 Decrease Volume
- 9 Increase Bass Output
- 10 Decrease Bass Output
- 11 Reset Bass Output
- 12 Increase Treble Output
- 13 Decrease Treble Output
- 14 Reset Treble Output
- 15 Mute
- 16 Balance Control Left Channel
- 17 Balance Control Right Channel
- 18 Reset Balance (Left and Right Channels)
- 19 Previous Track (Bluetooth® Operation)
- 20 Play / Pause (Bluetooth® Operation)
- 21 Next Track (Bluetooth® Operation)



Setting Up SYD

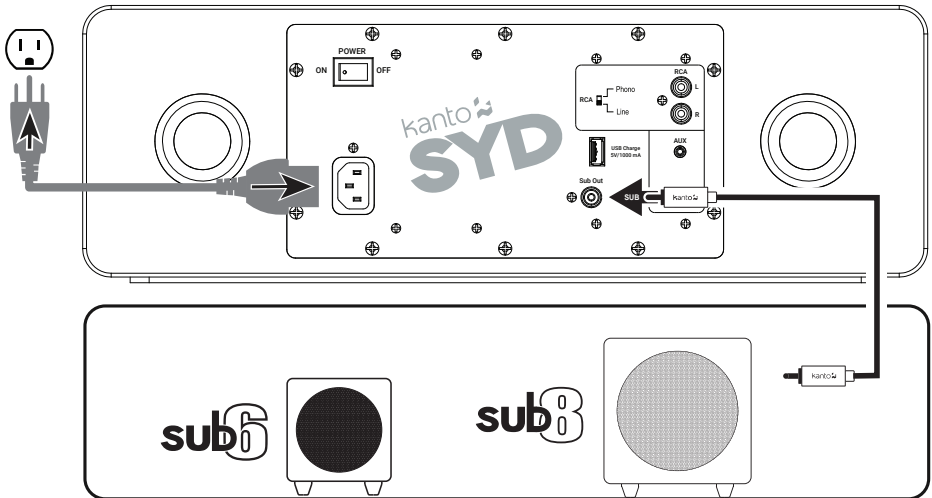
SYD is designed to perform optimally positioned at least 8" from the rear wall in an average listening room. However, it may not be possible to install the speaker in this position and since rooms vary in shape, size, and furnishing, a certain amount of experimentation is necessary to determine the most suitable position.

Moving the speaker very close to the rear wall will enhance the bass frequencies but will tend to reduce soundstage depth, while moving the speaker away from the rear wall will tend to have the opposite effect. Avoid positioning the speaker close to or in the corner of a room, as this will excite undesirable room coupling in the low and middle frequencies. Room characteristics and positioning have a profound effect on the performance of the speakers, so time and effort devoted to achieving the optimum positions will be rewarded.

Ensure that the ON/OFF Switch is in the OFF position.

Follow the instructions on the ensuing pages to connect your audio sources to SYD.

Connect the power cord from SYD to the wall outlet.



ATTENTION

When connecting audio cables the ON/OFF Switch must be turned OFF. After connecting all cables, the unit can be turned ON. When the volume is high, this system can produce noise levels that could permanently damage your hearing. SYD is a self-powered speaker system. Do not connect the speaker inputs to the outputs of a stereo amplifier. Damage may occur. Use only the power cord provided with SYD.

Connecting a Subwoofer

SYD is equipped with a RCA connector to provide output signal to a powered subwoofer. Simply connect a single RCA cable from the SUB OUT connection on the SYD to the Audio Input on your subwoofer. If your subwoofer has a stereo L/R RCA input, either input will work.

We recommend the Kanto **sub6** or **sub8** powered subwoofer with crossover and volume controls. Most quality subwoofers offer these controls, which allow you to customize the amount of bass you will experience.

Look for details on the Kanto website at: www.kantoaudio.com

Connecting Audio Sources

Use the appropriate audio cable to connect your audio source components to your speakers.

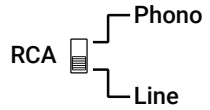
- 3.5 mm stereo mini-jack AUX cable
- Stereo RCA cable
- Optical Toslink cable

SYD supports data streams up to 24-bit/96 kHz resolution via Optical Toslink.

Connecting a Turntable

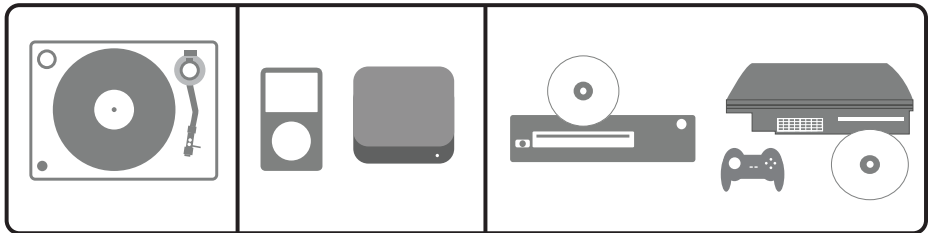
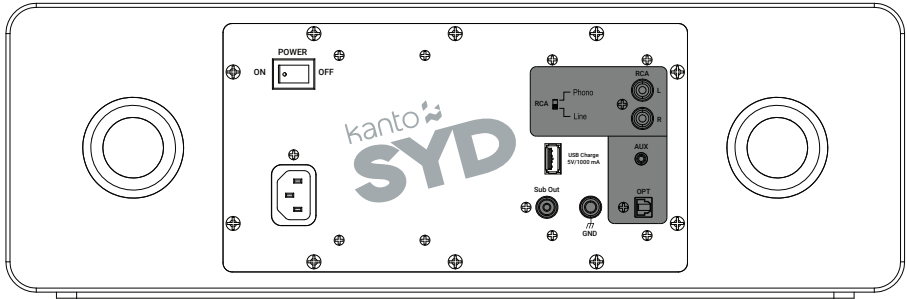
SYD features a built in Phono Pre-Amp that allows you to connect directly to a turntable.

- connect your turntable to the RCA L/R inputs on the back of the SYD
- connect your turntable's grounding wire to the grounding post (not all turntables feature a ground wire)
- If your turntable does not have a built in Phono Pre-Amp, use the "Phono" setting.
- If your turntable has a built in Phono Pre-Amp, use the "Line" setting.



ATTENTION

Some models of turntables include a built-in Phono Pre-Amp. If your turntable has a built in Phono Pre-Amp, DO NOT use the Phono setting. Doing so will void your warranty and could cause severe damage to your speakers.



RCA

AUX

OPT



Bluetooth® Pairing

SYD features **Bluetooth** 4.0 with Qualcomm® aptX™ technology and can be paired with many devices for wireless audio playback from your phone, MP3 player or tablet. Pairing is easy.

1. Press the **Bluetooth** button (ⓑ) on SYD's remote to select it as the input source. The Bluetooth LED (blue) will flash to indicate that SYD is in pairing mode.
2. Enable your **Bluetooth** device to search for a new device to pair with. Select 'SYD by Kanto' from the list of Bluetooth devices available for pairing.
3. If pairing is successful, the **Bluetooth** LED (blue) will remain solid. You will not need to pair the same Bluetooth device again - 'SYD by Kanto' will remain on your device list until you remove it from the list.
4. If the device does not pair with SYD, turn the speaker's ON/OFF Switch to the OFF position, then repeat Steps 1 to 3. Alternatively, you can press the **Bluetooth** reset button (ⓑ) on the remote or turn off **Bluetooth** on your device and turn it back on again.

Bluetooth® Operation

1. We recommend keeping a maximum distance of 10 meters between the speaker and your device. The best signal fidelity is within this range.
2. You can stream audio from your device to the speaker using either the player control buttons of your device or the control buttons of the remote control (see diagram of Remote Control on page 5 of this manual – buttons #19, #20, and #21).
3. Take note of the following behavior and functionality during **Bluetooth** operation. When you are successfully connected, the Blue LED will be lit solid, and your device will show as connected to 'SYD by Kanto'.
 - The connection between speaker and device remains active even if input source has changed. For instance, you can switch to another input source (e.g. RCA) and return to **Bluetooth** operation without losing signal connection and, therefore, do not need to pair with the device again.
 - When the speaker is put in Standby mode or powered OFF, **Bluetooth** connection with the device is lost. When the speaker returns to Playback mode, the **Bluetooth** connection between the speaker and device is re-established. However, you may notice a choppy playback signal for approximately 30 seconds after reconnection. It will normalize.
 - While the speaker can be paired with more than one device, only one device can play and transmit audio signal at a time.
4. The SYD remote control features a **Bluetooth** Reset button to quickly disconnect a paired device and allow a second device to pair with the speaker (button #6 on the Remote Control diagram on page 5).
 - Press **Bluetooth** Reset button to disconnect a paired device.
 - Follow the pairing instructions to pair another device.
 - The same behavior and functionality apply to the second device.

USB Charging Operation

SYD features one 5V 1.0 A USB charging port on the back panel. This is a convenient power source to charge your devices.

When SYD is in Playback Mode (LED White) and Standby Mode (LED yellow), the port is active, and whatever device is connected is able to draw up to 1.0 A of power.

Special Functions

Sub Mute - You can disable/enable the sub output on SYD. This can be helpful in situations where you want to listen to your speakers but don't want to disturb the neighbours with sub-bass.

To mute the sub output, press and hold the Mute button for 5 seconds. You will see two LED blinks to confirm the sub output is muted. To un-mute the sub output, press and hold the Mute button again for 5 seconds. You will see one LED blink to confirm that the sub output has been un-muted. The sub output will be reactivated upon waking up from standby.

Automatic Power Up (APU) / Automatic Power Down (APD) - SYD is designed to save power when not in use. When no audio signal has been detected for 15 minutes, the SYD Amp will put itself into stand-by mode (APD). If the audio signal returns via the same input that the SYD was playing when it entered standby, the SYD will wake up and resume playing (APU). It can also be woken up manually by:

- Pressing the Standby Button on the Remote
- Pressing the Control knob

If you do not find the APU feature useful, you can disable it by pressing the Balance Reset button on the remote and holding it for 5 seconds. The Status LED will blink once to indicate that you have disabled the APU feature. To enable APU if you have disabled it, simply press and hold the Balance Reset button again for 5 seconds. The Status LED will blink twice to indicate that you have enabled APU.

If you do not find the APD feature useful, you can disable it by pressing the Bass Reset button on the remote and holding it for 5 seconds. The Status LED will blink once to indicate that you have disabled the APD feature. To enable APD if you have disabled it, simply press and hold the Bass Reset button again for 5 seconds. The Status LED will blink twice to indicate that you have enabled APD.



ATTENTION

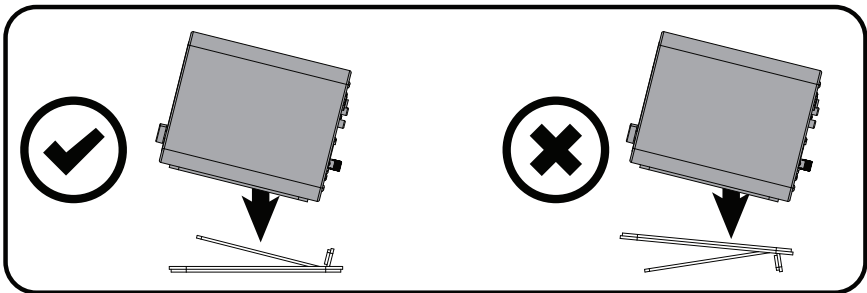
APU/APD is always enabled when power is applied, but APU will only activate after APD has been triggered. APU will not work if the unit is manually switched to standby using the remote or control knob.



ATTENTION

APU function will not work when using the Bluetooth input.

SYD Stand



Audio Troubleshooting Guide

Frequently asked questions about Kanto's SYD speaker.

1. None of the lights on the front panel are illuminated.

- Make sure the power cable is connected to the speaker and power outlet.
- Ensure that the power outlet is providing power.
- Verify that the power switch on the rear of the speaker is in the "On" position.

2. The white light on the front panel is illuminated but there's no audio playing.

- Make sure the correct input is selected. Click the knob on the front of the speakers to cycle through the four different inputs or use the remote to choose the correct input.
- Set the volume of the source to its highest level. Ensure audio source is playing audio.
- Check that the audio cable connected to and from the source is firmly connected. Test another audio cable if available.
- Verify that the volume of the speaker is not at its minimum level. Turn the volume up using the knob on the front or the volume controls on the remote.

3. Your remote is not functioning correctly.

- Ensure there is a clear line of sight from the remote to the speakers. Aim the remote at the speakers.
- Check battery compartment of remote to make sure the batteries are installed and aligned correctly.
- Replace batteries.

4. Speakers are going into standby while listening to audio.

- Set the volume of the source to its highest level. Low source volume can inadvertently trigger standby mode.
- Disable Automatic Power Down (see Pg. 9)

5. You are experiencing poor audio quality.

- Set the volume of the source to its highest level. Low source volume can negatively affect dynamic range.
- Ensure that the rear of the speaker is spaced away from the wall by at least 8 inches, allowing the rear port function to be left unimpeded.
- Set the bass and treble levels to the default setting by pressing the EQ reset buttons on the remote.
- Test a different song or source to isolate the issue.

6. The source will not connect to Bluetooth.

- Ensure the speakers are in **Bluetooth** mode by clicking the **Bluetooth** button on the remote or cycle through the inputs by clicking the knob on the front of the speakers until the blue light on the front panel of the speakers starts flashing.
- Make sure the blue light on the front panel of the speakers is flashing, indicating the speakers are in pairing mode. If the blue light is solidly lit, click the Bluetooth reset button on the remote to unpair a previously used device and enter pairing mode.
- On the source, turn **Bluetooth** off and on again.
- If the speakers cannot be found while searching for devices on the source, turn off the speakers using the power switch on the rear of the speaker. Switch them back on and try these steps again.

7. You are experiencing buzzing, hissing or distortion.

- If using the optical input, set the source's output to stereo — not surround, Dolby, DTS, or 5.1 — and set the sample rate to 96Khz or lower.
- Verify if the noise is coming from the source by removing all sources from the speakers.
- Make sure it is not a power issue by trying a power outlet that is on a different circuit.
- Check that the audio cable connected to and from the source is firmly seated. Try a different cable or source to isolate the issue.

8. There's no audio coming from an attached subwoofer.

- Check if the sub is muted by holding the mute button for +5 seconds (see Sub Mute on Pg. 9 for more info)
- Check that the RCA cable connected to and from the subwoofer is firmly seated. Try a different cable or source to isolate the issue.
- Make sure the subwoofer is connected to a power outlet and is set to "On" or "Auto".
- Increase the volume of the subwoofer.
- Power-cycle the speaker by switching the power switch off then on

9. Audio sounds different on each input.

- By default, SYD applies your EQ (bass & treble) settings to all inputs. This can cause differences between the inputs as the EQ is applied to the different sources. If you prefer to set individual EQ settings for each input, you can activate Bass Treble Memory (BTM) by pressing and holding the Treble Reset button for 5 seconds. The front panel LED will blink twice to indicate that BTM has been activated. You can deactivate BTM by pressing and holding the Treble Reset button for 5 seconds. The front panel LED will blink once to indicate that BTM has been deactivated. BTM is disabled when power is removed.

Specifications

SYD POWERED SPEAKER SYSTEM

Tweeters	1 inch Silk Dome
Woofers	4 inch Kevlar®
Amplifier Type	Class D
Power Output	140 Watts Peak
Frequency Response	60Hz – 20kHz
Inputs	1 x 3.5 mm stereo mini-jack AUX 1 x RCA L/R 1 x Optical (Toslink) 1 x Bluetooth® 4.0 with Qualcomm aptX
Outputs	1 x Subwoofer 1 x USB Charge Port 5 V 1.0A
Standby Power Consumption	< 0.5 W
Remote	Included
Dimensions	W 17.5" x H 5.7" x D 6.9" (445 x 146 x 175 mm)

NOTICE: *The Bluetooth® word mark and logos are registered trademarks owned by Bluetooth SIG, Inc. and any use of such marks by Kanto Distribution Inc. is under license.*

NOTICE: *Qualcomm aptX is a product of Qualcomm Technologies International, Ltd. Qualcomm is a trademark of Qualcomm Incorporated, registered in the United States and other countries, used with permission. aptX is a trademark of Qualcomm Technologies International, Ltd., registered in the United States and other countries, used with permission.*



NOTICE: *This appliance is labeled in accordance with European Directive 2002/96/EC concerning waste electrical and electronic equipment (WEEE). This label indicates that this product should not be disposed of with household waste. It should be deposited at an appropriate facility to enable recovery and recycling.*

- Check out our full line of bookshelf and desktop speaker systems
Regardez notre sélection des systèmes de haut-parleur d'étagère et de bureau
Consulte nuestra línea completa de sistemas de altavoces de estantería y escritorio
- Available in a stunning array of colors
Disponible dans un choix renversant de couleurs
Disponible en una impresionante variedad de colores



To learn more about all our audio products, visit www.kantoaudio.com
 Pour apprendre plus au sujet de tous nos produits audio, visitez www.kantoaudio.com
 Para aprender más sobre todos nuestros productos de audio, visite www.kantoaudio.com

f Kanto Audio ▶ Kanto Living 🐦 @kantoaudio 📺 Kanto Living 📷 kantoaudio

Warranty

Limited Warranty to Original Purchaser

Kanto Distribution Inc. (Kanto) warrants the equipment it manufactures to be free from defects in material and workmanship for the following limited warranty period of:

24 months parts and labour

If equipment fails because of such defects and Kanto or an authorized dealer is notified within 24 months from the date of shipment with proof of original invoice, Kanto will, at its option, repair or replace the equipment, provided that the equipment has not been subjected to mechanical, electrical, or other abuse or modifications. Equipment that fails under conditions other than those covered will be repaired at the current price of parts and labor in effect at the repair. Such repairs are warranted for 90 days from the day of reshipment to the original purchaser. This warranty is in lieu of all other warranties expressed or implied, including without limitation, any implied warranty or merchantability or fitness for any particular purpose, all of which are expressly disclaimed.

Customers will be responsible for obtaining a Return Authorization as well as shipping costs to return product to a Kanto location or authorized depot listed on the website. If the equipment is covered under the warranty provisions above, Kanto will repair or replace, and be responsible for return shipping to the customer. Please keep the original packaging so products will not be damaged during shipping, and we recommend you insure your shipment. If equipment fails outside the warranty provisions, customers will be quoted repair and return shipping costs prior to work being performed.

The information in the owner's manual has been carefully checked and is believed to be accurate. However, Kanto assumes no responsibility for any inaccuracies that may be contained in the manual. In no event will Kanto, be liable for direct, indirect, special, incidental, or consequential damages resulting from any defect or omission in this manual, even if advised of the possibility of such damages.