



PRO-1200SW OWNERS MANUAL

Klipsch®

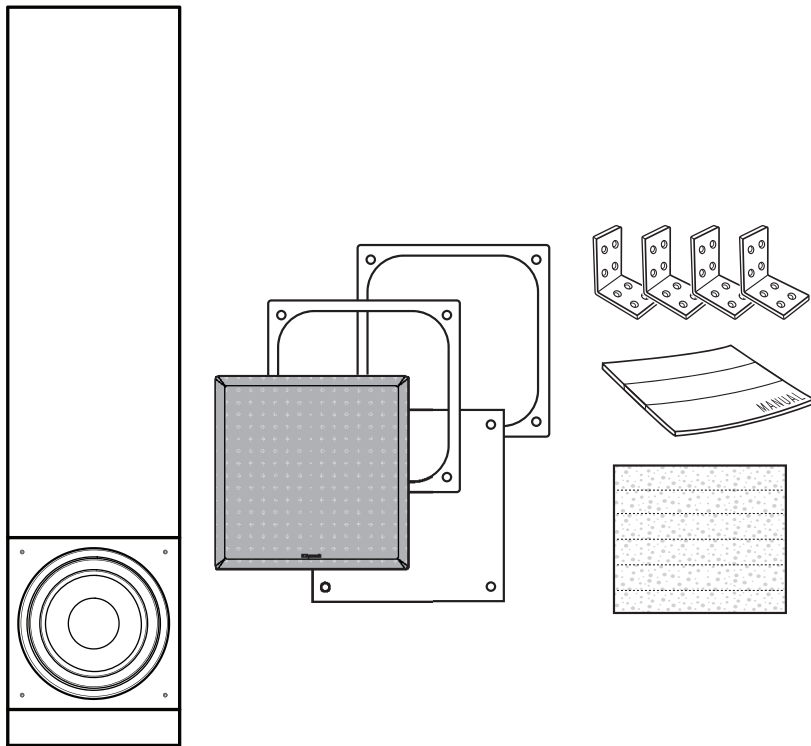
PROFESSIONAL SERIES



**AVAILABLE AT
DIGITAL CINEMA**

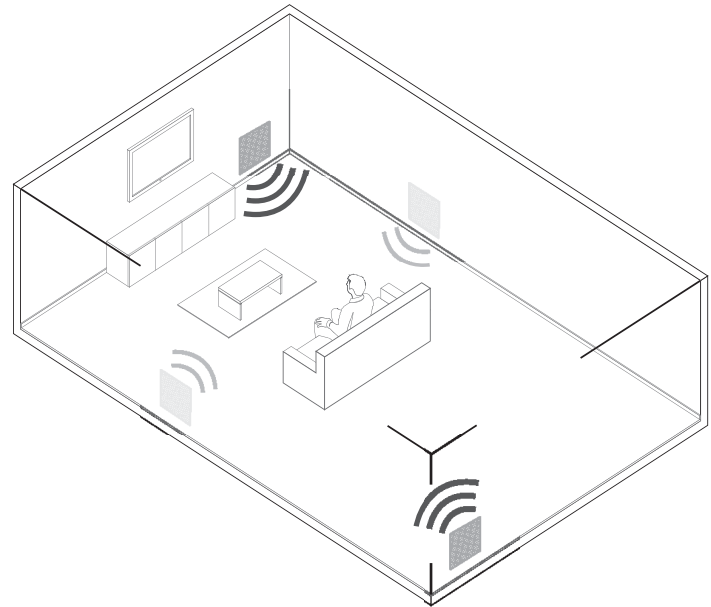
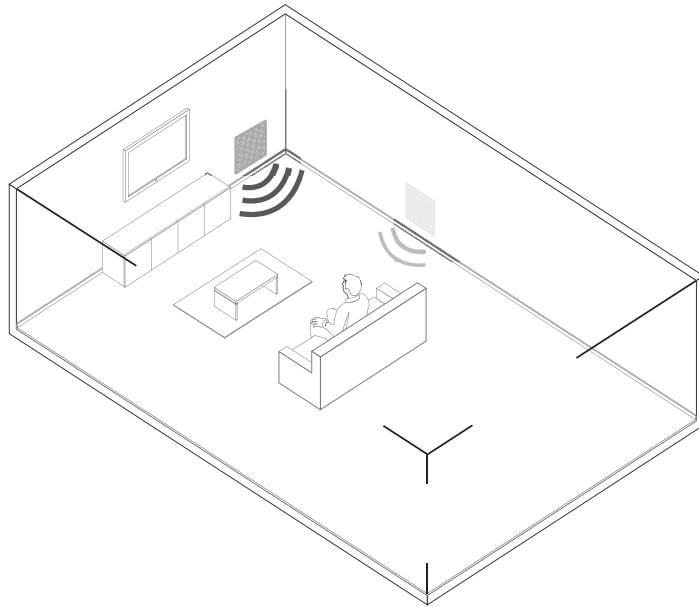
CONTENTS

CONTENTS CONTENU CONTENIDO INHALT CONTIENE CONTEÚDO 内容



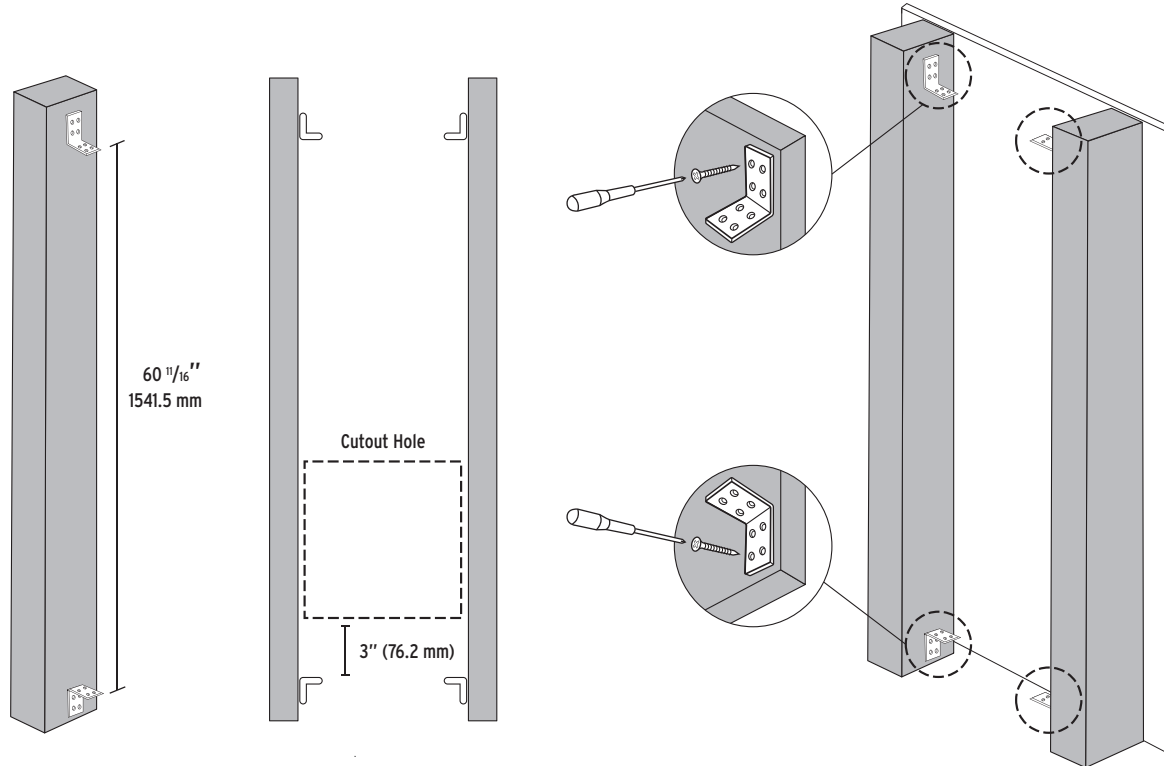
PLACEMENT

POSITIONNEMENT UBICACIÓN PLATZIERUNG POSIÇÃO COLLOCAZIONE 布置 الوضع



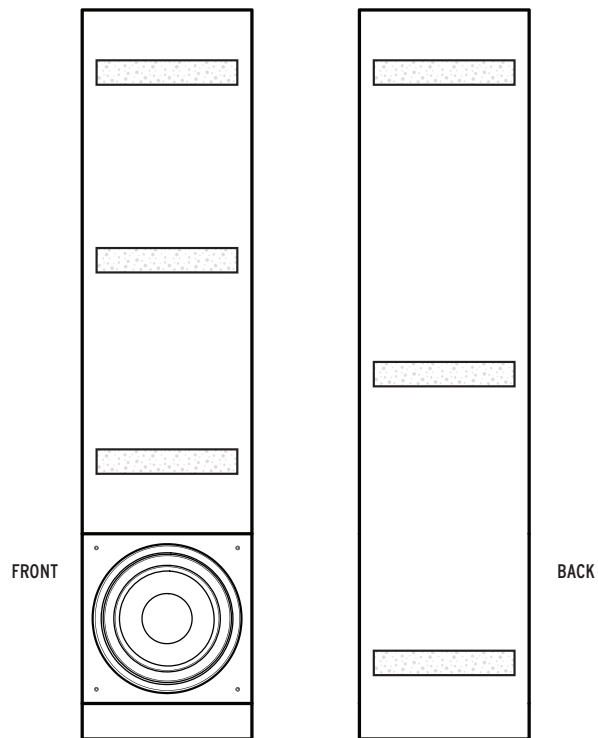
INSTALLATION

INSTALLATION CONFIGURACIÓN INSTALLATION APPONTAMENTO INSTALAÇÃO 设置 التركيب



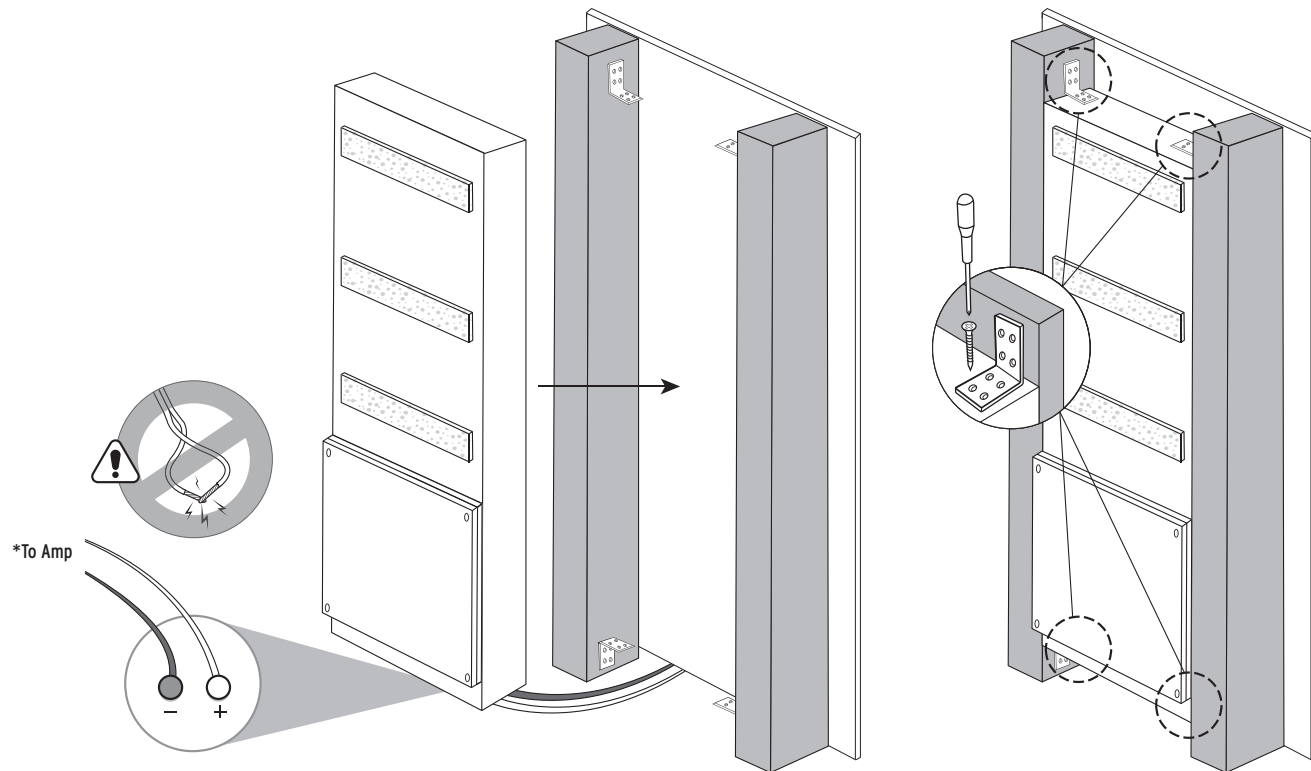
INSTALLATION

INSTALLATION CONFIGURACIÓN INSTALLATION APPONTAMENTO INSTALAÇÃO 设置 التركيب



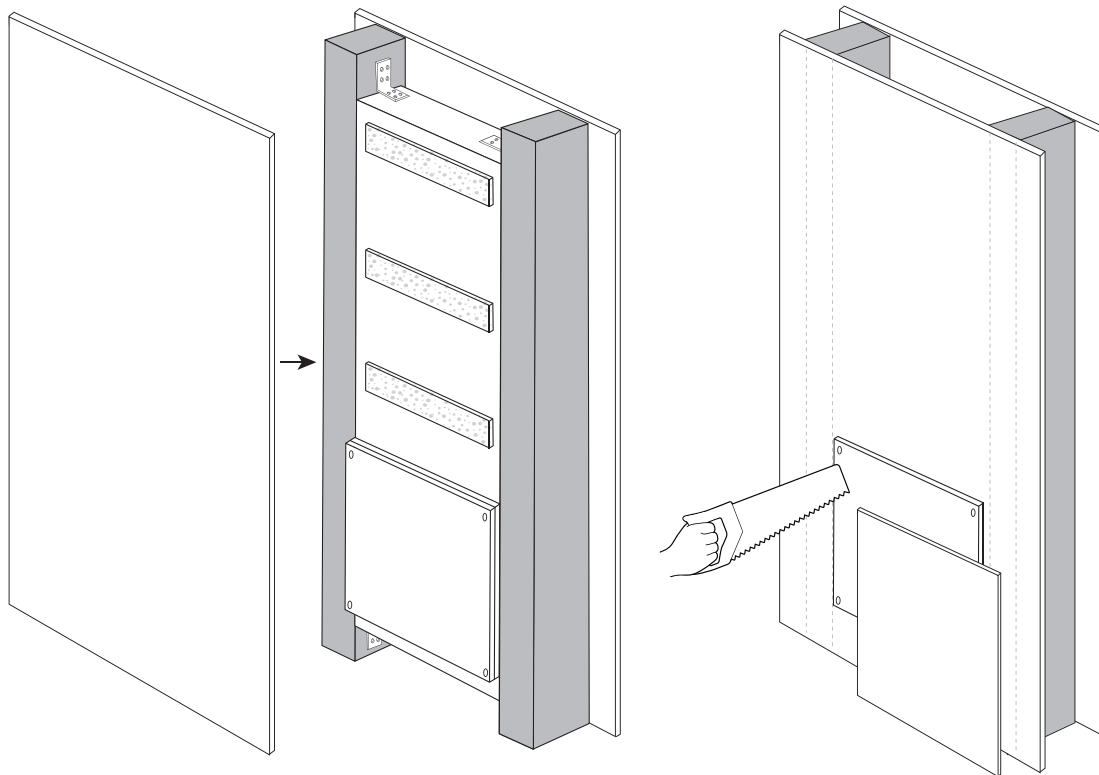
INSTALLATION

INSTALLATION CONFIGURACIÓN INSTALLATION APPONTAMENTO INSTALAÇÃO 设置 التركيب



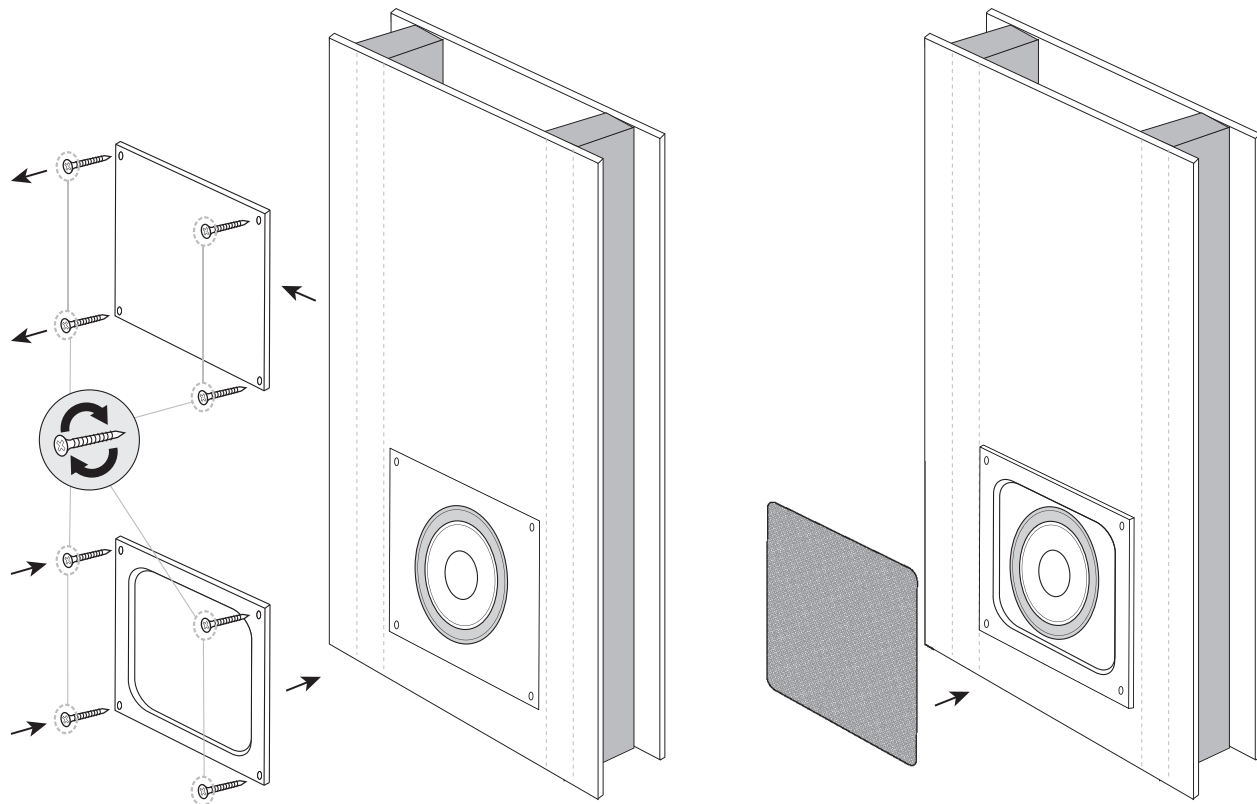
INSTALLATION

INSTALLATION CONFIGURACIÓN INSTALLATION APPONTAMENTO INSTALAÇÃO 设置 التركيب



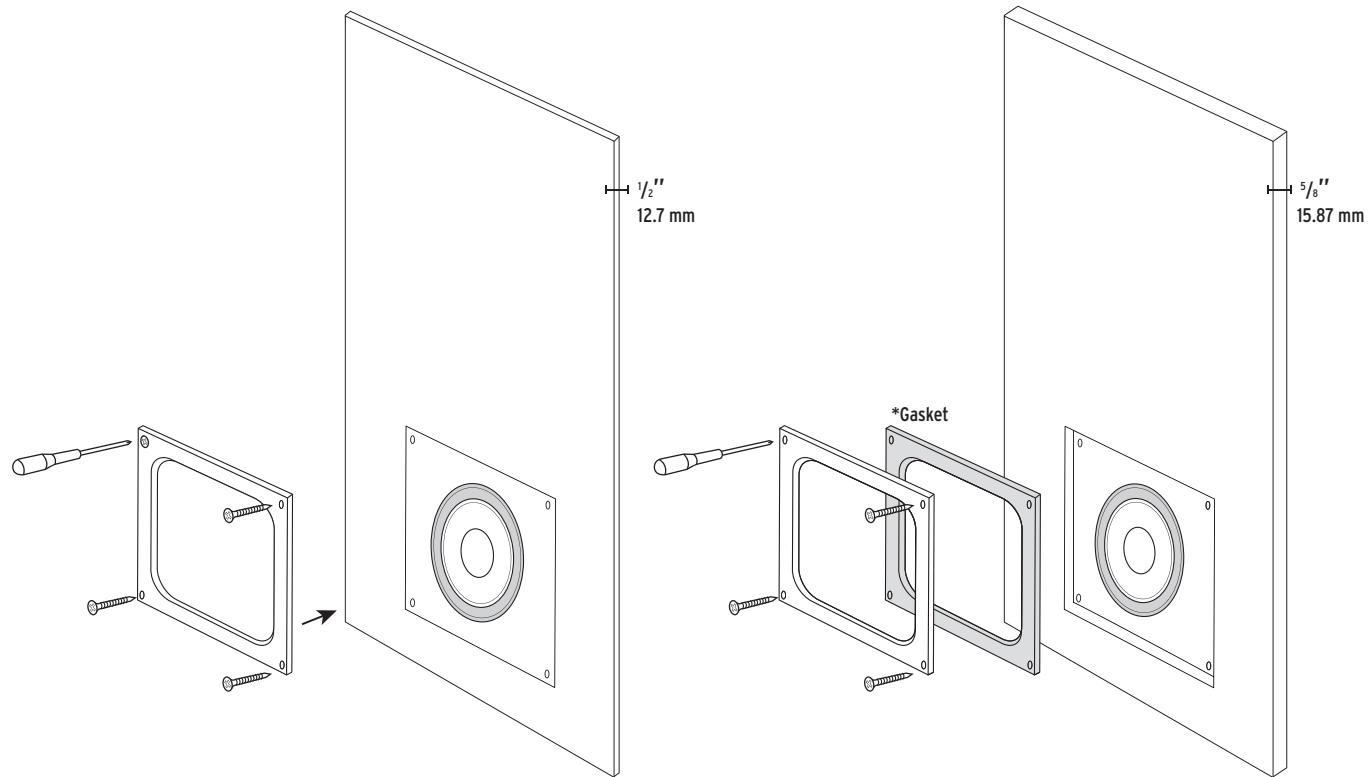
INSTALLATION

INSTALLATION CONFIGURACIÓN INSTALLATION APPONTAMENTO INSTALAÇÃO 设置 التركيب



INSTALLATION

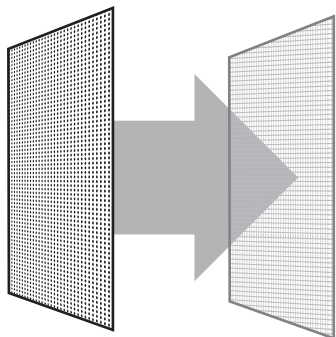
INSTALLATION CONFIGURACIÓN INSTALLATION APPONTAMENTO INSTALAÇÃO 设置 التركيب



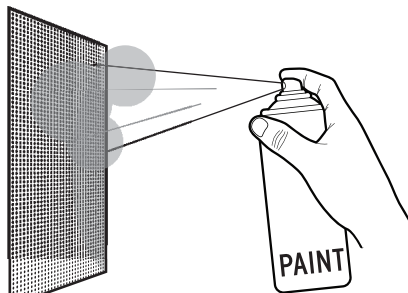
PAINTING

PEINDRE PINTAR MALEN PINTAR VERNICE 油漆 الطلاء

1

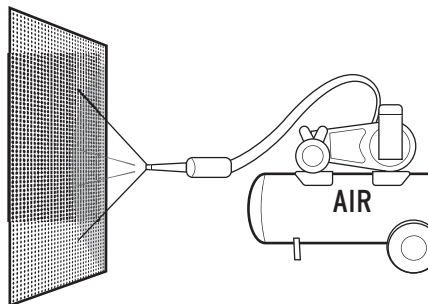


2



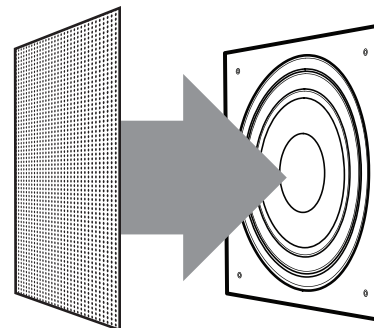
PEINDRE PINTAR MALEN PINTAR VERNICE 油漆 الطلاء

3



AIR AIRE LUFT AR ARIA 空气 الهواء

4



CARE AND CLEANING

ENTRETIEN ET NETTOYAGE

CUIDADO Y LIMPIEZA

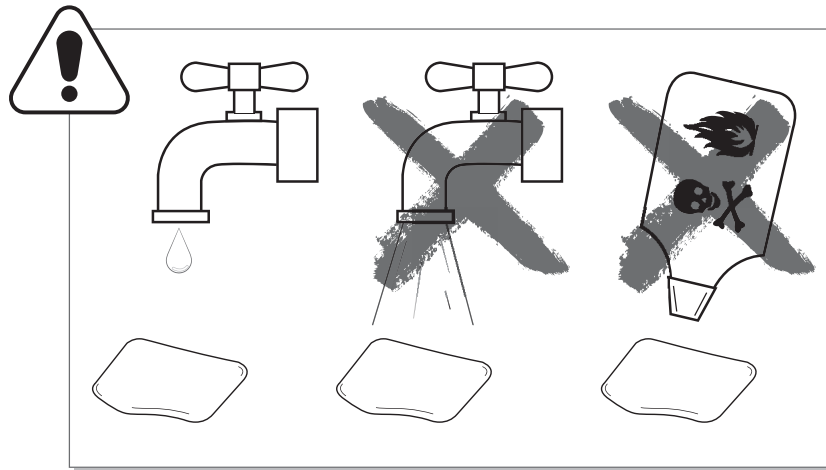
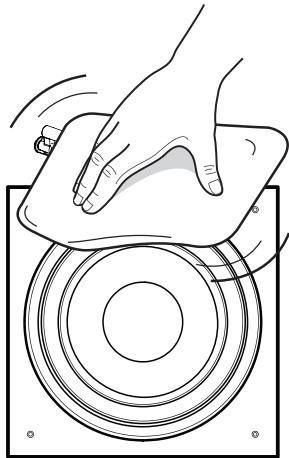
PFLEGE UND REINIGUNG

CURA E PULIZIA

CUIDADOS E LIMPEZA

保养与清洁

العناية والتنظيف





Klipsch®

KEEPERS OF THE SOUND

3502 WOODVIEW TRACE, INDIANAPOLIS, IN, USA

KLIPSCH.COM

1-800-KLIPSCH ©2015 KLIPSCH GROUP, INC. ALL RIGHTS RESERVED. KLIPSCH AND KEEPERS OF THE SOUND ARE REGISTERED TRADEMARKS OF KLIPSCH GROUP, INC. IN THE USA AND OTHER COUNTRIES.
A WHOLLY-OWNED SUBSIDIARY OF VOXX INTERNATIONAL CORPORATION.

V02-171219

