

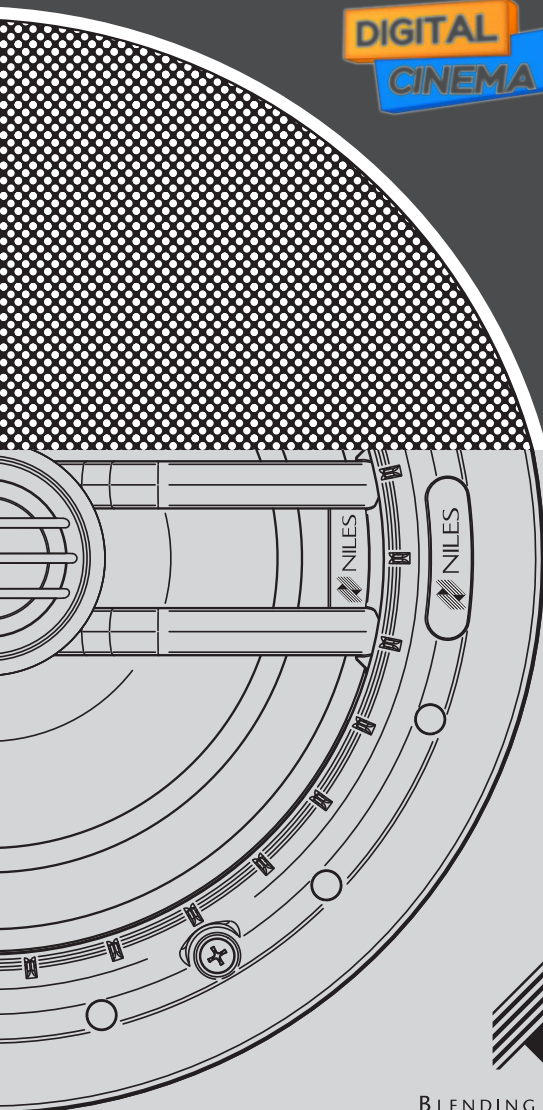
# CM

CEILING MOUNT

CM7SD INSTALLATION GUIDE



AVAILABLE AT  
DIGITAL CINEMA



DESIGNER AESTHETICS

AUDIOPHILE PERFORMANCE



NILES®

BLENDED HIGH FIDELITY AND ARCHITECTURE®

## CONGRATULATIONS!

Thank you for choosing the Niles CM7SD Loudspeaker. With proper installation, use, and care, your loudspeakers will deliver years of listening enjoyment. Niles manufactures the industry's most comprehensive line of custom installation components and accessories. For information on our complete product assortment, please visit us at: [www.nilesaudio.com](http://www.nilesaudio.com).

## TABLE OF CONTENTS

Introduction	3
Features and Benefits	3
Parts Guide	4
Installation Considerations	4
Installing the Loudspeakers	6
Painting the Grilles	8
Installing the Grilles	8
Applications	8

## INTRODUCTION

The Niles CM7SD Loudspeakers deliver an uncompromising combination of designer oriented aesthetics, superb sound performance, and ease of installation. Small footprint and low profile, MicroThin™ magnetically attached grilles provide the look that today's homeowners desire.

## FEATURES AND BENEFITS

### DESIGNER AESTHETICS

Magnetically attached MicroThin™ round speaker grilles ensure a clean, unobtrusive designer appearance that blends with the room's aesthetics. Optional square grilles provide added design flexibility.

### INSTALLATION EASE

Four easy to use mounting clamps permit quick installation. Weather-resistant construction enables installation in moist areas such as bathrooms or outdoors under eaves.

### INSTALL WITH CONFIDENCE

The best-built loudspeakers deserve the best protection—the Niles Lifetime Limited Warranty.

## PARTS GUIDE

### PACKAGE CONTENTS FOR: CM7SD

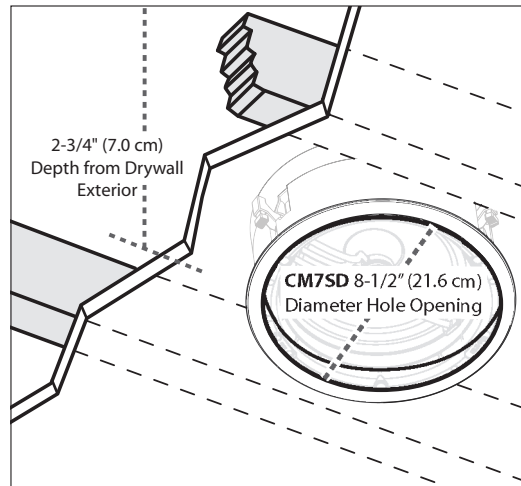
(1) Niles CM loudspeaker, (1) Magnetically attached round grill, (1) Hole template with painting standoffs, (1) Owner's manual, (1) Warranty card.

## INSTALLATION CONSIDERATIONS

Recommended tools for installation:

- Cordless screwdriver
- One inch #2 Phillips tip
- 1/8" Drill bit
- Drywall saw
- Laser plumb bob
- 12" -14" Coat hanger wire
- Measuring tape
- Stud finder
- Spackle
- Wire stripper
- Cable ties
- Pencil
- Painters tape
- Drop cloth
- Optional - a 24" x 24" piece of R19 insulation

The CM7SD requires an 8-1/2" (21.6 cm) diameter hole opening and a minimum of 2-3/4" (7.0 cm) depth when measured from the exterior face of the drywall. To the sides of the hole you will need 1" (2.54 cm) for the mounting tabs to clamp the speaker to the drywall.



**Figure 1.** Required dimensions for installation in ceiling.

## INSTALLATION CONSIDERATIONS CONTINUED

**NOTE: BE VERY CAREFUL WHEN LOCATING THE SPEAKERS. VERIFY ALL LOCATIONS ARE CLEAR OF OBSTRUCTIONS BEFORE CUTTING THE FIRST HOLE.**

Each speaker requires two-conductor wiring of sufficient gauge. The gauge depends on the length of the wire. For recommendations, please refer to **(Figure 2)**. (Stereo Input loudspeakers require four-conductor wiring).

Distance from speaker to amplifier	Wire Gauge
Less than 80 feet	16
80 to 200 feet	14
More than 200 feet	12

**Figure 2.** Speaker Wire Gauge Guide

When running loudspeaker wire inside walls or ceilings, use special jacketed cable (CL-2 or CL-3 rating) to protect the wire and for fire prevention. In some municipalities, conduit is required. For a trouble-free installation, low voltage wire such as loudspeaker wire must be in accordance with the National Electrical Code and any applicable provisions of the local building code. If you are unsure of the correct installation techniques, wire jacket, or type of conduit to use, consult a professional audio/video installer, building contractor, or the local building and inspection department.

## INSTALLING THE LOUDSPEAKERS

It is often easier to lay the speakers out on the floor and then transfer the locations to the ceiling with a laser plumb bob. If you are using new construction brackets, place string across the centers of the bracket to provide a way to align the bracket to the laser. Remember, you will need 1" (2.54 cm) to the sides of the mounting hole for the mounting clamps to secure the speaker to the drywall.

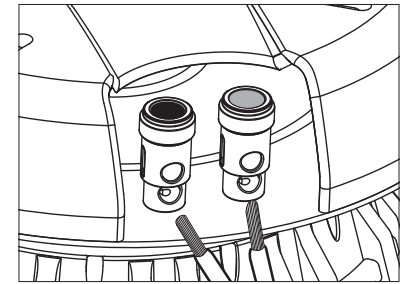
1. Once you have determined a possible position for the hole cutout, drill a 1/8" pilot hole just barely through the ceiling (1/2" to 5/8" deep in most homes) in the center of your proposed loudspeaker location. **BE VERY CAREFUL NOT TO DRILL THROUGH EXISTING WIRES, PIPES, OR STRUCTURE. IF YOU FEEL ANY EXTRA RESISTANCE AS YOU ARE DRILLING, STOP.**
2. Cut a foot-long piece of coat hanger. Bend the wire (creating a right angle) leaving 5-1/2" at one end (this allows for the extra width of the mounting dogs). Poke the "L-shaped" wire into the pilot hole and turn it in a complete circle and move it into the ceiling cavity to make sure you have approximately 2-3/4" of depth. If the wire's movement is obstructed by anything, fill the hole(s) with spackle and try another location. (If there is any risk of uninsulated electrical connections within the ceiling area, use insulating gloves or other materials or consult with an installation professional before proceeding).
3. If the coat hanger moves freely in a complete circle and you have sufficient depth, tape the template to the ceiling and proceed to layout the other speakers. Once you are comfortable with all speaker locations, use a pencil to lightly outline the circular template.
4. Drill the starting point of your cut with a 1/4" bit.
5. If you are cutting drywall, use a sheetrock or keyhole saw. Cut the hole with the saw at a 45° angle. That way the drywall section can be replaced cleanly if there is an unseen obstruction behind the wall. **IMPORTANT: BE VERY CAREFUL NOT TO SAW THROUGH EXISTING WIRES, PIPES, OR STRUCTURE. IF YOU FEEL EXTRA RESISTANCE AS YOU ARE CUTTING, STOP.**

**NOTE: DO NOT INSTALL LOUDSPEAKERS BEFORE THE DRYWALL HAS BEEN COMPLETELY FINISHED AND PAINTED.**

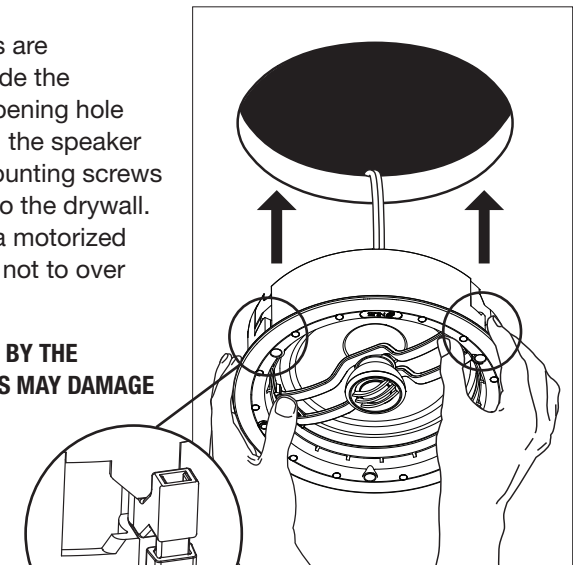
(CONTINUED ON NEXT PAGE)

## INSTALLING THE LOUDSPEAKERS CONTINUED

6. Prep the speaker wire by stripping 1/4"-1/2" from each speaker lead. Twist the strands or tin the leads with solder to ensure there are no stray strands that could short and possibly harm the amplifier.
7. If you've chosen to use insulation behind the loudspeaker, place it through the hole and center it on the opening. If using paper-backed insulation, it should be placed so that the paper side is away from the loudspeaker.
8. The speaker has black and red spring-loaded connectors (**Figure 3**). Black is for the negative (-) wire and red for the positive (+). It is important to observe correct wiring polarity. If you have wire other than black and red, make sure you connect it the same on the amplifier end as the speaker end. Failure to do so will adversely affect the loudspeakers' performance.
9. Once the speaker wires are connected, carefully slide the loudspeaker into the opening hole (**Figure 4**). While holding the speaker in place, tighten the mounting screws to secure the speaker to the drywall. We recommend using a motorized screwdriver. Be careful not to over tighten.



**Figure 3.** Spring-loaded speaker wire connectors.



**Figure 4.** Installing a CM7SD loudspeaker.

Mounting clamps require 1" clearance to the sides of the hole opening

**NOTE: DO NOT CARRY THE SPEAKER BY THE TWEETER OR TWEETER BRIDGE. THIS MAY DAMAGE THE SPEAKER.**

## PAINTING THE GRILLES

The CM loudspeaker grilles can be painted without priming, but the fabric scrim must first be removed. The installation template has die cut standoffs that can be used to position the grille off the ground while painting. Use several light coats sprayed from different sides and angles to cover all surfaces and not fill in any holes. If you do fill some holes, use compressed air to open them before the paint dries. It may be helpful to slightly dilute the paint to prevent it from clogging the grille holes.

## INSTALLING THE GRILLES

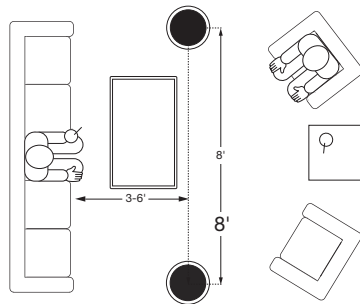
The Niles MicroThin™ speaker grille installs magnetically over the speaker. Carefully center the grill over the speaker and let the magnets do their work, verifying that the grill sets flush against the ceiling at all edges.

## APPLICATIONS

The Niles CM7SD Loudspeakers are designed to be installed in any standard ceiling. When choosing a location, thought should be given to the sound coverage of the loudspeaker, and ease of running the speaker wire. The shallow mounting depth of the CM7SD allows it to be mounted in a space that is only 2.75" deep.

### STEREO SOUND APPLICATIONS

The best stereo effect will be achieved if both loudspeakers are at an equal distance from the listening area. Ideally all loudspeakers should be on the same horizontal plane (**Figure 6**). Avoid installing loudspeakers near corners to prevent a “boomy” or diffracted sound. Also note that the lower the ceiling, the closer the loudspeaker should be placed to the listener.



**Figure 6.** Stereo Sound Application.

## SPECIFICATIONS

Model	Woofers	Tweeter / Midrange	Recommended Amplifier Power	Normal Impedance	Frame Dimensions with Grille	Hole Cut-Out Dimensions	Depth (5/8" Drywall Ceiling)
<b>CM7SD</b>	Mineral Filled Polypropylene woofer cone	3/4" Soft Dome	10-100 watts	8 ohm nominal; 6 ohm minimum	9-7/8" (25.1 cm)	8-3/4" (22.2 cm)	2-1/8" (5.4 cm)

## NOTES

**NOTES**

BY PHONE (IN USA)

**1-800-BUY-HIFI (289-4434)**

BY PHONE (OUTSIDE USA)

**1-760-710-0992**

CUSTOMER SERVICE HOURS

**8:00 AM to 5:30 PM PT**

TECHNICAL SUPPORT HOURS

**6:00 AM to 4:00 PM PT**

ON THE WEB

**[www.nilesaudio.com](http://www.nilesaudio.com)**

EMAIL TECHNICAL SUPPORT

**[techsupport@nilesaudio.com](mailto:techsupport@nilesaudio.com)**

EMAIL FOR PRODUCT SUGGESTIONS

**[productsuggestions@nilesaudio.com](mailto:productsuggestions@nilesaudio.com)**



BLENDING HIGH FIDELITY AND ARCHITECTURE®

1969 Kellogg Avenue, Carlsbad, CA 92008  
1-760-710-0992

1-800-BUY-HIFI - [www.nilesaudio.com](http://www.nilesaudio.com)

©2011 The AVC Group, LLC. All rights reserved. Niles, Blending High Fidelity and Architecture, and the Niles logos are registered trademarks of The AVC Group, LLC. MicroThin is a trademark of The AVC Group, LLC. All other trademarks are the property of their respective owners. We reserve the right to change specifications, descriptions and prices without notice. The technical and other information contained herein is not intended to set forth all technical and other specifications. Designed and engineered in the USA. 9901204 Rev A