

**polk**audio®

ATRIUM®4

ATRIUM®5

ATRIUM®6

ATRIUM®7

ATRIUM®8SDI



**AVAILABLE AT  
DIGITAL CINEMA**

ENGLISH  
FRANÇAIS  
ESPAÑOL  
PORTUGUESE

## English

### IMPORTANT SAFETY INSTRUCTIONS

This product was designed and manufactured to meet strict quality and safety standards. There are, however, some installation and operation precautions which you should be particularly aware of.

1. Read Instructions. All the safety and operating instructions should be read before the system is operated.
2. Retain Instructions. The safety and operating instructions should be retained for future reference.
3. Heed Warnings. All warnings on the appliances and in the operating instructions should be adhered to.
4. Follow Instructions. All operating and use instructions should be followed.
5. Attachments. Do not use attachments not recommended by the product manufacturer as they may cause hazards.
6. Accessories. Do not place these appliances on an unstable cart, stand, tripod, bracket, or table. The audio/video products may fall, causing serious injury to a child or adult, and serious damage to the products. Use only with a cart, stand, tripod, bracket, or table recommended by the manufacturer, or sold with the appliances. Any mounting of the appliances should follow the manufacturer's instructions, and should use mounting accessories recommended by the manufacturer.
7. Object and Liquid Entry. Never push objects of any kind into this product through openings, as they may touch dangerous voltage points or short out parts that could result in a fire or electric shock. Never spill liquid of any kind on this audio/video product.
8. Servicing. Do not attempt to service this product yourself, as opening or removing covers may expose you to dangerous voltage or other hazards. Refer all servicing to qualified service personnel.
9. Damage Requiring Service. Unplug this product from wall outlets and refer servicing to qualified service personnel under the following conditions:
  - a. If liquid has been spilled, or objects have fallen into the product.
  - b. If the product does not operate normally by following the operating instructions. Adjust only those controls that are covered by the operating instructions, as an improper adjustment of other controls may result in damage and will often require extensive work by a qualified technician to restore the product to its normal operation.
  - c. If the product has been dropped or the cabinet has been damaged.
  - d. When the product exhibits a distinct change in performance—this indicates a need for service.
10. Replacement Parts. When replacement parts are required, be sure the service technician has used replacement parts specified by the manufacturer or that the parts have the same characteristics as the original part. Unauthorized substitutions may result in fire, electric shock or other hazards.
11. Safety Check. Upon completion of any service or repairs to this product, ask the service technician to perform safety checks to determine that the products are in proper operating condition.

### SAFE LIMITS OF OPERATION

Polk Audio specifies the recommended amplification range for each of its passive (non-amplified) loudspeakers. Typically that specification will be expressed as a range of power such as 20-200 Watts (per channel). It is important to understand what those numbers mean when choosing a receiver or amplifier for your Polk Audio loudspeakers. The lower number indicates the lowest continuous rated power that will yield acceptable performance in a typical listening environment. The higher number indicates the highest per channel power that should be used with your Polk Audio speakers. That number should not be confused with a "Power Handling" specification and it does not imply that the speaker will safely handle that full amount of power on a long-term basis. We specify a wide range of power ratings because not all electronics manufacturers use the same method for rating power. In fact, high quality lower-rated amplifiers sound better and play louder than low quality units with higher power rating.

Automobile horsepower is a good analogy. Your car probably has far more horsepower than it needs for your daily commute and is likely capable of going well over 120mph (190km/hr). Having that extra power is good for on-ramp acceleration and danger avoidance (like getting away from brain-eating zombies) but that doesn't mean that it is advisable to operate your car on North American highways at full power and maximum speed for an extended period of time. Just ask your local state trooper if you are in doubt. Similarly, we recommend using amplifiers and receivers with rated power above the power handling limits of our speakers because having extra power available for short term peaks is conducive to better sound quality, maximum dynamic range and effortless high volume output. But we strongly urge you not to use the full power of your amplifier or receiver for daily listening.

Loudspeakers can be damaged when an amplifier, regardless of its wattage, is made to play at higher listening levels than its power can clearly produce. Operation at this level can result in very high levels of audible distortion originating in the amplifier, which can add a harsh, gritty sound to your listening material. If you hear distortion—turn the volume down or risk damaging your speakers. You can damage just about any speaker, regardless of power rating, if you drive an amplifier to or beyond the point of distortion.

### PRODUCT DISPOSAL

Certain international, national and/or local laws and/or regulations may apply regarding the disposal of this product. For further detailed information, please contact the retailer where you purchased this product or the Polk Audio Importer/ Distributor in your country. A listing of Polk Audio Importer/ Distributors can be found on the Polk Audio website [www.polkaudio.com](http://www.polkaudio.com) or by contacting Polk Audio at: 5601 Metro Drive, Baltimore, Maryland 21215, USA Phone: +1 410 358-3600.



### TECHNICAL ASSISTANCE OR SERVICE

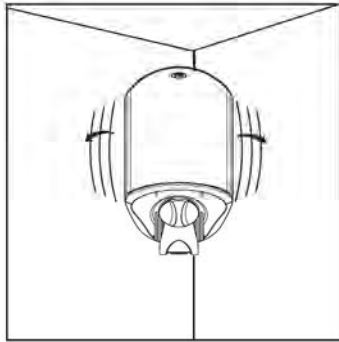
If, after following the hookup directions, you experience difficulty, please double-check all wire connections. Should you isolate the problem to the speaker, contact the authorized Polk Audio dealer where you made your purchase, or contact **Polk Audio Customer Service 800-377-7655** (M-F, 9am-6pm EST, US & Canada only) or via email [polkcs@polkaudio.com](mailto:polkcs@polkaudio.com). Outside the US & Canada, call 410-358-3600. More detailed information including audio how-to articles, FAQs and online manuals are available on our award-winning website: [www.polkaudio.com](http://www.polkaudio.com).

## PLACEMENT OPTIONS

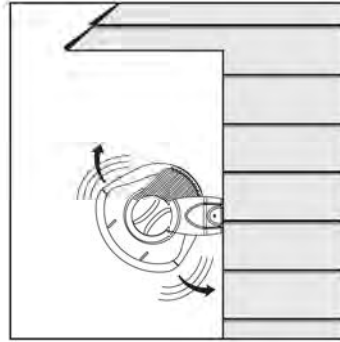
Atrium Series loudspeakers were created to live and play outdoors. Atriums have a wide dispersion pattern, and are also very efficient. This means your Atrium Series loudspeakers will deliver exceptional sound quality throughout a large listening area. However, if you want high sound levels in an outdoor setting with acoustic characteristics that differ from those of indoor conditions, we recommend multiple-pair setups.

In addition to the placement locations typically used for outdoor loudspeakers, all Atrium Series loudspeakers have built-in stability feet, which allows the loudspeakers to be placed securely on a shelf or other flat horizontal surface.

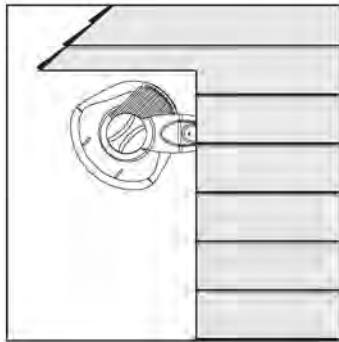
Please keep in mind that you'll maximize the useful life of your Atrium loudspeakers by locating them where they'll receive less exposure to the elements, under eaves for example. When locating your Atrium loudspeakers outdoors, take into account three factors: sound quality, convenience and exposure to the elements.



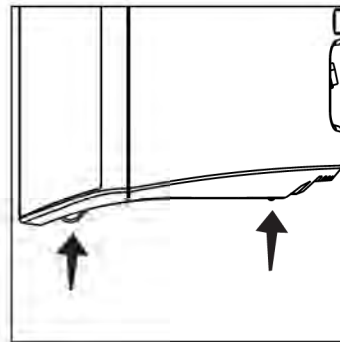
**FIGURE 1:** Place the speaker in a corner for more bass output. Bracket attached to side wall.



**FIGURE 2:** Place the speaker away from eaves and corners for less bass output.



**FIGURE 3:** Place the speaker close under an eave for more bass output.

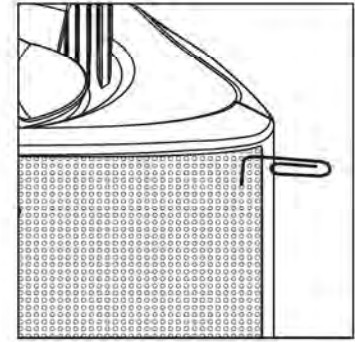


**FIGURE 4:** The Atrium's built-in stability feet ensure safe, secure placement on a shelf of other flat surface.

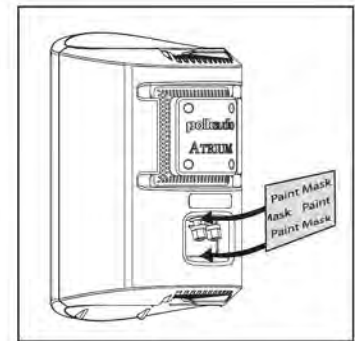
## PREPARING TO PAINT

### Before you paint, you will need:

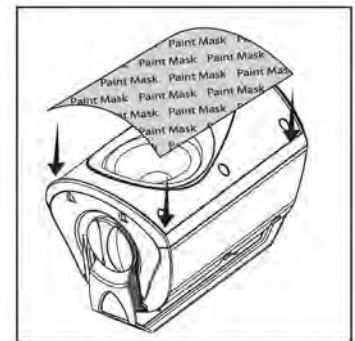
- A spray can of primer paint (Krylon Sandable Spray Primer #1318).
  - A spray can of the paint of your choice. Choose exterior grade paint if you plan to use the speakers outdoors.
  - A paperclip or corkscrew (for removing the paintable grille).
  - Masking tape.
  - Paint mask to cover unpaintable parts (not included). To make an easy paint mask, use the grille as a template and cut a mask from heavy, nonporous Kraft paper.
1. Separate the parts of the speaker: Remove the brackets and bracket knobs. Remove the grille by carefully hooking it with a bent paper clip and pulling it gently away from the cabinet [figure 5].
  2. Mask off the binding posts on the back of the speaker [figure 6], the end panels and bracket knobs, and carefully mask off the front of the speakers to protect the drivers and baffles while painting [figure 7]. The grille has a logo on it, which you may mask off should you choose not to paint over it.



**FIGURE 5:** Remove the grille using a paper clip.



**FIGURE 6:** Mask the binding posts on the rear of the speaker.



**FIGURE 7:** Mask the drivers and baffles.



## PAINTING THE CABINET, BRACKET KNOBS & BRACKET

1. Apply two thin coats of primer to the cabinet and knobs. The bracket does not require a primer.
2. Only after the primer is completely dry should you apply the finish color [figure 8].
3. Do not remove the masking material (not included) until the paint is completely dry.
4. Do not reattach the speaker to the bracket until the bracket is mounted. Try to handle any freshly painted parts as little as possible.



**FIGURE 8:** After priming, apply thin coats of finish color.

## PAINTING THE GRILLE

1. Atrium loudspeaker grilles have an even, protective powder coating. This powder coating is an ideal primer. The grille has a logo pod, which you may mask off or paint right over.
2. Using spray paint, spray two thin coats of finish color [figure 9]. If you're using a compressor and spray gun, use the finest, most diffuse setting. Be careful not to fill the holes in the grille with paint.
3. When the paint is completely dry, carefully fit the grille into its recess so that it just rests on the cabinet. Starting with one corner, work around the speaker and push the grille into the grille notch a little at a time.

Be gentle; the grille may be easily bent by rough handling.



**FIGURE 9:** Paint the grille. Use thin coats of spray paint. Do not block grille holes with paint.

## MOUNTING OPTIONS (SAFETY FIRST)

When installing Atrium loudspeakers note the weight of your particular model and the weight bearing tolerance of the material to which you're mounting the speaker. If you're not sure of a safe way of mounting your speakers, please consult a professional installer, your authorized Polk Audio dealer or a building contractor.

You'll maximize the useful life of your Atrium loudspeakers by placing them where they'll receive less exposure to the elements. If extreme weather conditions are expected, we recommend storing your speakers indoors. Look for the best overall compromise between sound quality, convenience and exposure. Never compromise safety.

The Atrium's Speed-Lock™ mounting bracket enables you to mount the speaker either horizontally or vertically. The Speed-Lock bracket holds the speaker in place so you can easily aim the speaker to deliver the best possible sound in a variety of situations. Follow the steps below to safely secure the brackets and speakers.

Installing Atrium Series loudspeakers requires basic skills in using tools such as a drill and screwdriver. If you are in doubt that you possess the necessary skills or tools, consult your Polk Audio dealer, or a professional installer.

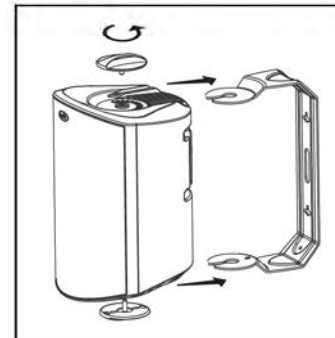
## Horizontal & Vertical Mounting

1. Verify the material on which you plan to mount the speakers (plaster, drywall, paneling, stone, etc.) can support the weight of the speakers:

### Speaker Weights

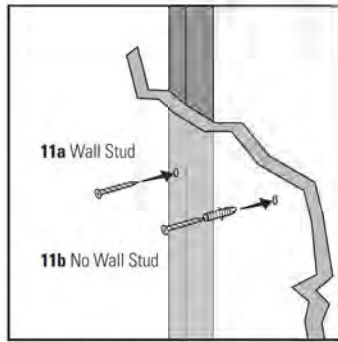
Atrium4	3.6lbs / 1.63kg each
Atrium5	4.6lbs / 2.09kg each
Atrium6	5.4lbs / 2.45kg each
Atrium7	8lbs / 3.63kg each
Atrium8SDI	9.7lbs / 4.4kg each

2. Ensure the locations you select do not conceal electrical wiring or plumbing.
3. Before you install the speaker, hold it in the chosen location to make sure it safely clears obstacles such as ceiling, adjacent walls, corners, beams, lighting fixtures and door/window frames.
4. Using the keyhole slots in the bracket as a template, mark the installation location of the two keyhole slots with a pencil. You can do this by removing the bracket knobs on the top and bottom of the speaker and removing the bracket [figure 10].
5. Position the bracket so that the small ends of the keyhole slots are facing "up" according to the direction of installation.



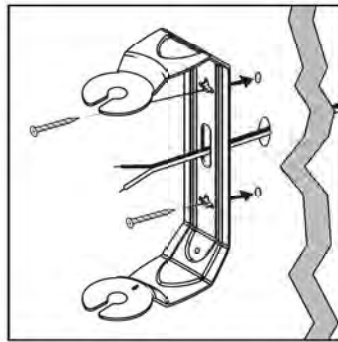
**FIGURE 10:** Turn the bracket knobs to remove the bracket assembly.

6. If you are certain there is a stud behind the wall surface, drive #10 screws (not included) through the wall and into the stud [figure 11a].
7. If there is no stud behind the wall at the chosen location, install #10 wall anchors (not supplied) into the wall by following the wall-anchor-manufacturer's instructions. Always use two wall anchors and two screws per speaker [figure 11b].
8. Drive the screws into the stud or wall anchors, leaving screw heads protruding 1/8"–1/4" (3mm–6mm).



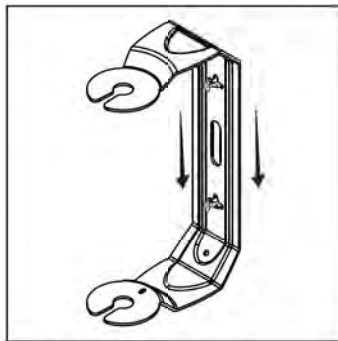
**FIGURE 11a & 11b:** Use #10 screw for wall stud, use #10 wall anchors and screw for no wall stud.

9. If you're feeding speaker wire through a hole in the wall behind the bracket, pull this speaker wire through the hole in the bracket before mounting the bracket [figure 12].
10. Screw the bracket directly into a weight-bearing stud on the mounting surface. Place the screws securely in the smaller end of the keyhole slot. Do not leave screw heads protruding.

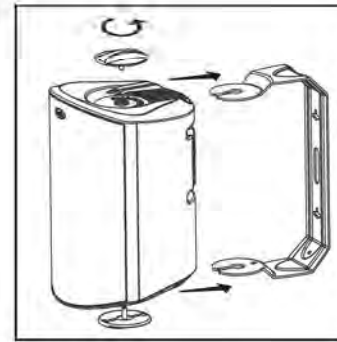


**FIGURE 12:** Feed speaker wire from wall through bracket wire hole for easy mounting.

11. Screw the bracket knobs into the protrusions but do not tighten them securely.
12. Secure the speaker to the bracket by sliding the speaker between the bracket arms. The built-in ramps will spread the bracket slightly and guide the ends of the bracket onto the threaded protrusions. A ratcheting system holds the speaker in place and helps you fine tune how you want to aim it. [figure 14].
13. Secure the loudspeaker to the bracket by tightening the adjusting bracket knobs.



**FIGURE 13:** Slide the bracket down on the screw heads to catch the keyhole slots.



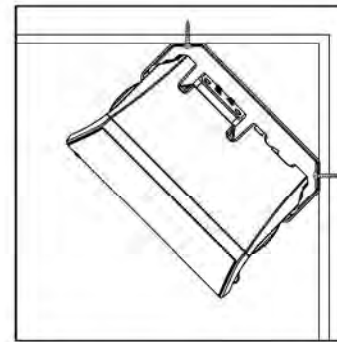
**FIGURE 14:** Turn the bracket knobs to remove the bracket assembly.

14. Tug gently on the speaker to make certain that the screws and bracket are properly aligned and that the wall anchors are secure.
15. If the bracket is not held snug against the wall by the screw heads, remove the speaker from the wall, drive the screws in a little further and then remount the speaker.
16. Once the speaker is mounted, the bracket knobs can be loosened to "aim" the speaker, and then hand tightened to keep the speaker angled correctly.

### VERTICAL MOUNT AIMED 45° DOWN

The Atrium Series mounting bracket is designed so the speakers may be mounted in a vertical 45° downward firing position [Figure 15].

Use an anchoring device that can support the weight of your Atrium model and be sure the material you are mounting the loudspeaker to can support its weight.

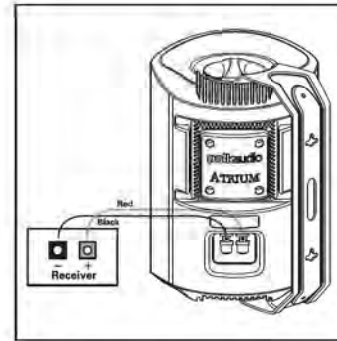


**FIGURE 15:** Installation of the 45° bracket.

### RECEIVER HOOKUP

Follow the hookup directions included with your receiver. Strip 1/2" of insulation from each of the two conductors of the wire to expose the bare metal and twist each of the conductors into a single un-frayed strand (so you have two unfrayed strands).

Note that one of the terminals on the rear of each speaker is red (+) and the other is black (-). Make certain that you connect the wire from the red terminal of your amplifier or receiver to the red terminal on your speaker; and the wire from the black terminal of your amplifier or receiver to the black terminal on your speaker [figure 16]. Most wire has some indicator (such as color-coding, ribbing or writing) on one of the two conductors to help you maintain consistency.



**FIGURE 16:** Make speaker connection using binding posts.



## ATRIUM8SDI DUAL INPUT/SINGLE INPUT SWITCH

The Atrium8SDI has a patented dual input/single input switch. this switch enables the Atrium8SDI to be used either as a single high-performance stereo loudspeaker, or the left-or-right speaker in a high performance stereo pair [Figure 17].

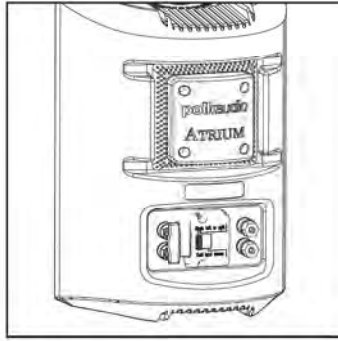
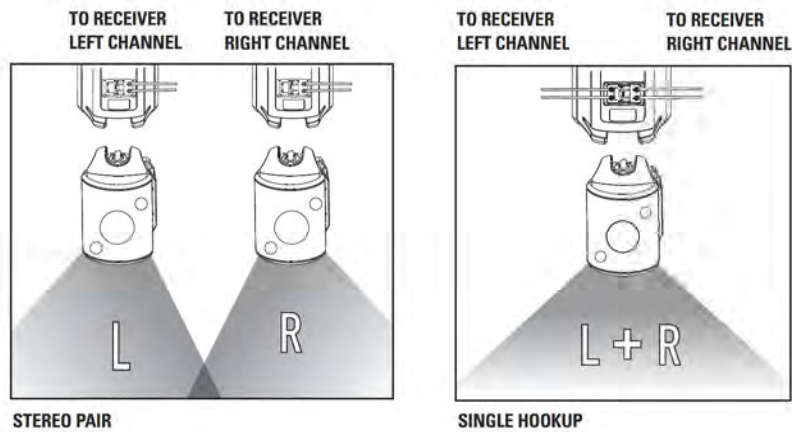


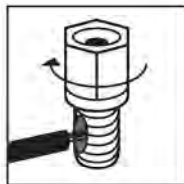
FIGURE 17: Rear view of the Atrium8SDI.



## USING 5-WAY BINDING POSTS



Loosen hex nut.



Insert speaker wire through hole.



Tighten hex nut.



Do not insert insulated section of speaker wire.

**SPECIFICATIONS**

	<b>Atrium4</b>	<b>Atrium5</b>	<b>Atrium6</b>
Driver Complement	4 1/2" (114mm) mineral filled Dynamic Balance® polymer cone, rubber surround, 3/4" (19mm) anodized aluminum dome tweeter w/ rubber surround and neodymium motor structure	5" (127mm) mineral filled Dynamic Balance polymer cone, rubber surround, 3/4" (19mm) anodized aluminum dome tweeter w/ rubber surround and neodymium motor structure	5 1/4" (133mm) Dynamic Balance aerated polypropylene cone, rubber surround, 1" (25mm) anodized aluminum dome tweeter w/ rubber surround and neodymium motor structure
Frequency Response	75Hz-25kHz	60Hz-25kHz	50Hz-27kHz
Recommended Power	10-80W continuous	10-100W continuous	10-100W continuous
Impedance	Compatible w/ 8 Ohm outputs	Compatible w/ 8 Ohm outputs	Compatible w/ 8 Ohm outputs
Efficiency (dB 1w/1m)	89dB	90dB	90dB
Available Finishes	Black & White	Black & White	Black & White
Environmental Standards	ASTM D5894-UV Salt Fog, Mil Standard 810 Immersion, Mil-Std 883 Method 1009.8 for salt and corrosion & Polk Audio Certification	ASTM D5894-UV Salt Fog, Mil Standard 810 Immersion, Mil-Std 883 Method 1009.8 for salt and corrosion & Polk Audio Certification	ASTM D5894-UV Salt Fog, Mil Standard 810 Immersion, Mil-Std 883 Method 1009.8 for salt and corrosion & Polk Audio Certification
Cabinet material	Mineral filled polypropylene	Mineral filled polypropylene	Mineral filled polypropylene
Grille & Bracket material	powder coated aluminum	powder coated aluminum	powder coated aluminum
Hardware	Brass or stainless steel	Brass or stainless steel	Brass or stainless steel
Terminals	Gold plated 5-way binding posts	Gold plated 5-way binding posts	Gold plated 5-way binding posts
Mounting Options	180° Speed-Lock™ mounting	180° Speed-Lock mounting	180° Speed-Lock mounting
Dimensions (w/ bracket & knobs)	8 5/8" H x 5 11/16" W x 6 11/16" D (21.9cm H x 14.4cm W x 17cm D)	10 5/16" H x 6 3/4" W x 7 3/4" D (26.2cm H x 17.1cm W x 19.7cm D)	11 11/16" H x 7 11/16" W x 8 3/4" D (29.7cm H x 19.5cm W x 22.2cm D)
Product Weight	3.6lbs / 1.63kg (each)	4.6lbs / 2.09kg (each)	5.4lbs / 2.45kg (each)
Shipping Weight	9.5lbs / 4.1 kg (pair)	11.5lbs / 5.0kg (pair)	16lbs / 7.0kg (pair)

**SPECIFICATIONS**

	<b>Atrium7</b>	<b>Atrium8SDI</b>
Driver Complement	6 1/2" (165mm) Dynamic Balance aerated polypropylene cone, rubber surround, 1" (25mm) anodized aluminum dome tweeter w/ rubber surround and neodymium motor structure	6 1/2" (165mm) Dual Voice Coil Dynamic Balance aerated polypropylene cone, rubber surround, Two 1" (25mm) anodized aluminum dome tweeter w/ rubber surround and neodymium motor structure
Frequency Response	47Hz-27kHz	45Hz-27kHz
Recommended Power	10-125W continuous	10-125W x 2 continuous
Impedance	Compatible w/ 8 Ohm outputs	Compatible w/ 8 Ohm outputs
Efficiency (dB 1w/1m)	91dB	91dB
Available Finishes	Black & White	Black & White
Environmental Standards	ASTM D5894-UV Salt Fog, Mil Standard 810 Immersion, Mil-Std 883 Method 1009.8 for salt and corrosion & Polk Audio Certification	ASTM D5894-UV Salt Fog, Mil Standard 810 Immersion, Mil-Std 883 Method 1009.8 for salt and corrosion & Polk Audio Certification
Cabinet material	Mineral filled polypropylene	Mineral filled polypropylene
Grille & Bracket material	powder coated aluminum	powder coated aluminum
Hardware	Brass or stainless steel	Brass or stainless steel
Terminals	Gold plated 5-way binding posts	Gold plated 5-way binding posts
Mounting Options	180° Speed-Lock mounting	180° Speed-Lock mounting
Dimensions (w/ bracket & knobs)	12 7/8" H x 8 1/2" W x 9 3/16" D (32.7cm H x 21.6cm W x 23.3cm D)	12 7/8" H x 8 1/2" W x 9 3/16" D (32.7cm H x 21.6cm W x 23.3cm D)
Product Weight	8lbs / 3.63kg (each)	9.7lbs / 4.4kg (each)
Shipping Weight	21.5lbs / 9.4kg (pair)	13.5lbs / 6.1kg (each)

## Limited Warranty

Polk Audio, Inc. warrants to the original purchaser only that this Polk Audio Loudspeaker Product (the "Product") will be free from defects in materials and workmanship for a period of five (5) years from the date of original retail purchase from a Polk Audio Authorized Dealer. However, this Warranty will automatically terminate prior to the expiration of the five (5) years if the original retail purchaser sells or otherwise transfers the Product to any other party. The original retail purchaser shall hereinafter be referred to as "you." To allow Polk Audio to offer the best possible warranty service, please fill out the Product Registration Card(s) and send it to the Factory, at the address provided on the Product Cards(s) within ten (10) days of the date of purchase. Defective Products must be shipped, together with proof of purchase, prepaid insured to the Polk Audio Authorized Dealer from whom you purchased the Product, or to the Factory at 1 Viper Way, Vista, California 92081. Products must be shipped in the original shipping container or its equivalent; in any case the risk of loss or damage in transit is to be borne by you. If upon examination at the Factory or Polk Audio Authorized Dealer it is determined that the unit was defective in materials or workmanship at any time during this Warranty period, Polk Audio or the Polk Audio Authorized Dealer will, at its option, repair or replace this Product at no additional charge, except as set forth below. All replaced parts and Products become the property of Polk Audio. Products replaced or repaired under this warranty will be returned to you, within a reasonable time, freight prepaid.

This warranty does not include service or parts to repair damage caused by accident, disaster, misuse, abuse, negligence, inadequate packing or shipping procedures, commercial use, voltage inputs in excess of the rated maximum of the unit, cosmetic appearance of cabinetry not directly attributable to defect in materials or workmanship, or service, repair, or modification of the Product which has not been authorized or approved by Polk Audio. This warranty shall terminate if the Serial number on the Product has been removed, tampered with or defaced. This warranty is in lieu of all other expressed Warranties. If this Product is defective in materials or workmanship as warranted above, your sole remedy shall be repair or replacement as provided above. In no event will Polk Audio, Inc. be liable to you for any incidental or consequential damages arising out of the use or inability to use the Product, even if Polk Audio, Inc. or a Polk Audio Authorized Dealer has been advised of the possibility of such damages, or for any claim by any other party. Some states do not allow the exclusion or limitation of consequential damages, so the above limitation and exclusion may not apply to you.

All implied warranties on this Product are limited to the duration of this expressed Warranty. Some states do not allow limitation on how long an implied Warranty lasts, so the above limitations may not apply to you. This Warranty gives you specific legal rights, and you also may have other rights which vary from state to state.

This Warranty applies only to Products purchased in the United States of America, its possessions, and U.S. and NATO armed forces exchanges and audio clubs. The Warranty terms and conditions applicable to Products purchased in other countries are available from the Polk Audio Authorized Distributors in such countries.

## Garantie Limitée

Polk Audio Inc. garantit à l'acheteur au détail original seulement que ce produit Polk Audio (le produit) sera exempt de défauts imputables aux pièces d'origine et à la main d'œuvre pour une période de cinq (5) ans à partir de la date de l'achat au détail original chez un revendeur agréé. Cependant, cette garantie sera automatiquement annulée avant l'expiration de la période de cinq (5) ans si l'acheteur original vend ou transfère le produit à tout autre parti. L'acheteur au détail original sera nommé ci-après «vous». Pour permettre à Polk Audio de vous offrir le meilleur service de garantie possible, veuillez remplir la (les) carte(s) d'enregistrement de produit et la (les) poster à l'usine à l'adresse inscrite sur la (les) carte(s) d'enregistrement dans les dix (10) jours suivant la date de l'achat original.

Les produits défectueux doivent être expédiés, avec une preuve d'achat, francs de port et dûment assurés, au revendeur agréé Polk Audio de qui vous avez acheté le produit, ou à l'usine Polk Audio, à l'adresse: 1 Viper Way, Vista, California 92081. Les produits doivent être expédiés dans leur carton d'expédition original ou dans un contenant équivalent. En tout cas le propriétaire doit assumer tout risque de perte ou de dommage en transit.

Si, suite à l'examen du produit à l'usine Polk ou chez le revendeur agréé Polk Audio, il est déterminé que la défectuosité est imputable aux matériaux d'origine ou à la main d'œuvre au cours de la période de la garantie spécifiée, Polk Audio ou le revendeur Polk Audio réparera ou remplacera, à sa guise, le produit sans frais additionnels sauf dans les cas décrits ci-dessous. Toute pièce ou produit remplacé devient la propriété de Polk Audio. Les produits réparés ou remplacés sous la garantie vous seront expédiés francs de port dans un délai raisonnable.

Cette garantie n'inclut pas le service ou les pièces nécessaires à la réparation des dommages provoqués par accident, désastre, abus, négligence, mode d'expédition ou emballage inadéquat, utilisation commerciale, tensions supérieures au maximum prescrit pour l'unité, détérioration de l'aspect visuel de l'unité non directement attribuable à un défaut de pièces d'origine ou de main d'œuvre, ou par le service, la réparation, ou toute modification du produit n'ayant pas été autorisé ou approuvé par Polk Audio.

Cette garantie sera annulée si le numéro de série sur le produit a été enlevé, altéré ou falsifié. Cette garantie prend préséance sur toutes autres garanties énoncées. Si la défectuosité de ce produit est imputable aux pièces d'origine ou à la main d'œuvre selon les conditions de la garantie exprimées ci-dessus, votre seul recours sera la réparation ou le remplacement selon les conditions décrites ci-dessus. Dans aucun cas Polk Audio, Inc. pourra-t-elle être tenue responsable de tout dommage accessoire ou indirect causé par l'utilisation ou par l'incapacité d'utilisation du produit, même si Polk Audio, Inc. ou un revendeur agréé Polk Audio, a été avisé de la possibilité de tel dommage, ou pour toute réclamation par tout autre parti. Certains états ne permettant pas l'exclusion ou la limitation des dommages indirects, les limitations et exclusions exprimées ci-dessus pourraient ne pas s'appliquer dans votre cas.

Toutes les garanties tacites sur ce produit sont limitées à la durée de la garantie énoncée. Certains états ne permettant pas la limitation de la durée d'une garantie tacite, les limitations ci-dessus pourraient ne pas s'appliquer dans votre cas. Cette garantie vous accorde des droits légaux spécifiques; vous pourriez également avoir d'autres droits qui pourraient varier d'état en état.

Cette garantie s'applique seulement aux produits achetés aux États-Unis d'Amérique et ses possessions, et dans les clubs audio et d'échange des forces armées des É.-U. et de l'OTAN. Les modalités et les conditions de garantie applicables aux produits achetés dans d'autres pays sont disponibles chez les distributeurs agréés Polk Audio établis dans ces pays.



**polkaudio®**

**5601 METRO DRIVE  
BALTIMORE, MARYLAND 21215  
800-377-7655 (US & CAN, OUTSIDE US 410-358-3600)  
WWW.POLKAUDIO.COM**

