



**AVAILABLE AT
DIGITAL CINEMA**

HTS10™ and HTS12™

Owner's Manual

IMPORTANT SAFETY INSTRUCTIONS

1. Read these instructions.
2. Keep these instructions.
3. Heed all warnings.
4. Follow all instructions.
5. Do not use this apparatus near water.
6. Clean only with dry cloth.
7. Do not block any ventilation openings. Install in accordance with the manufacturer's instructions.
8. Do not install near any heat sources such as radiators, heat registers, stoves, or other apparatus (including amplifiers) that produce heat.
9. Do not defeat the safety purpose of the polarized or grounding-type plug. A polarized plug has two blades with one wider than the other. A grounding type plug has two blades and a third grounding prong. The wide blade or the third prong are provided for your safety. If the provided plug does not fit into your outlet, consult an electrician for replacement of the obsolete outlet.
10. Protect the power cord from being walked on or pinched particularly at plugs, convenience receptacles, and the point where they exit from the apparatus.
11. Only use attachments/accessories specified by the manufacturer.
12. Use only with the cart, stand, tripod, bracket, or table specified by the manufacturer, or sold with the apparatus. When a cart is used, use caution when moving the cart/apparatus combination to avoid injury from tip-over.
13. Unplug this apparatus during lightning storms or when unused for long periods of time.
14. Refer all servicing to qualified service personnel. Servicing is required when the apparatus has been damaged in any way, such as power-supply cord or plug is damaged, liquid has been spilled or objects have fallen into the apparatus, the apparatus has been exposed to rain or moisture, does not operate normally, or has been dropped.
15. **WARNING:** To reduce the risk of fire or electric shock, this apparatus should not be exposed to rain or moisture and objects filled with liquids, such as vases, should not be placed on this apparatus.
16. To completely disconnect this equipment from the mains, disconnect the power supply cord plug from the receptacle.
17. The main plug of the power supply cord shall remain readily operable.
18. No naked flame sources, such as candles should be placed on the apparatus.
19. The use of apparatus in tropical climates.



WARNING: Listen Carefully

Polk Audio loudspeakers and subwoofers are capable of playing at extremely high volume levels, which could cause serious or permanent hearing damage. Polk Audio, Inc. accepts no liability for hearing loss, bodily injury or property damage resulting from the misuse of its products.

Keep these guidelines in mind and always use your own good judgment when controlling volume: You should limit prolonged exposure to volumes that exceed 85 decibels(dB).

For more about safe volume levels refer to the Occupational Health and Safety Administration (OSHA) guidelines at: www.osha.gov/dts/osta/otm/noise/standards_more.html.

LIMITED FIVE YEAR WARRANTY

Polk Audio, Inc., warrants to the original retail purchaser only. This warranty will terminate automatically prior to its stated expiration if the original retail purchaser sells or transfers the product to any other party.

Polk Audio, Inc., warrants, to the original retail purchaser only, that the LOUDSPEAKER(S), PASSIVE CROSSOVER COMPONENT(S) and ENCLOSURE on this Polk Audio Loudspeaker Product will be free from defects in material and workmanship for a period of five (5) years from the date of original retail purchase from a Polk Audio Authorized Dealer.

Furthermore, Polk Audio, Inc., warrants, to the original retail purchaser only, that any AMPLIFIER OR OTHER ELECTRONIC COMPONENT that may be included in this Polk Audio Loudspeaker Product will be free from defects in material and workmanship for a period of three (3) years years from the date of original retail purchase from a Polk Audio Authorized Dealer.

To allow Polk Audio to offer the best possible warranty service, please register your new product online at: www.polkaudio.com/registration or call Polk customer service 800-377-7655 in the USA and Canada (outside the USA: 410-358-3600) within ten (10) days of the date of original purchase. Be sure to keep your original purchase receipt.

Defective Products must be shipped, together with proof of purchase, prepaid insured to the Polk Audio Authorized Dealer from whom you purchased the Product, or to the Factory at 1 Viper Way, Vista, California 92081. Products must be shipped in the original shipping container or its equivalent; in any case the risk of loss or damage in transit is to be borne by you. If upon examination at the Factory or Polk Audio Authorized Dealer it is determined that the unit was defective in materials or workmanship at any time during this Warranty period, Polk Audio or the Polk Audio Authorized Dealer will, at its option, repair or replace this Product at no additional charge, except as set forth below. All replaced parts and Products become the property of Polk Audio. Products replaced or repaired under this warranty will be returned to you, within a reasonable time, freight prepaid.

This warranty does not include service or parts to repair damage caused by accident, disaster, misuse, abuse, negligence, inadequate packing or shipping procedures, commercial use, voltage inputs in excess of the rated maximum of the unit, cosmetic appearance of cabinetry not directly attributable to defect in materials or workmanship, or service, repair, or modification of the Product which has not been authorized or approved by Polk Audio. This warranty shall terminate if the Serial number on the Product has been removed, tampered with or defaced. This warranty is in lieu of all other expressed Warranties. If this Product is defective in materials or workmanship as warranted above, your sole remedy shall be repair or replacement as provided above. In no event will Polk Audio, Inc. be liable to you for any incidental or consequential damages arising out of the use or inability to use the Product, even if Polk Audio, Inc. or a Polk Audio Authorized Dealer has been advised of the possibility of such damages, or for any claim by any other party. Some states do not allow the exclusion or limitation of consequential damages, so the above limitation and exclusion may not apply to you.

All implied warranties on this Product are limited to the duration of this expressed Warranty. Some states do not allow limitation on how long an implied Warranty lasts, so the above limitations may not apply to you. This Warranty gives you specific legal rights, and you also may have other rights which vary from state to state.

This Warranty applies only to Products purchased in Canada, the United States of America, its possessions, and U.S. and NATO armed forces exchanges and audio clubs.

The Warranty terms and conditions applicable to Products purchased in other countries are available from the Polk Audio Authorized Distributors in such countries.

CAUTION

**RISK OF ELECTRIC SHOCK
DO NOT OPEN**

CAUTION: TO REDUCE THE RISK OF ELECTRIC SHOCK, DO NOT REMOVE COVER (OR BACK). NO USER-SERVICEABLE PARTS INSIDE. REFER SERVICING TO QUALIFIED SERVICE PERSONNEL.

The lightning flash with arrowhead symbol within an equilateral triangle is intended to alert the user to the presence of un-insulated "dangerous voltage" within the product's enclosure that may be of sufficient magnitude to constitute a risk of electric shock to persons.

The exclamation point within an equilateral triangle is intended to alert the user to the presence of important operating and maintenance (servicing) instructions in the literature accompanying the product.

WARNING

TO REDUCE THE RISK OF FIRE OR ELECTRIC SHOCK, DO NOT EXPOSE THIS APPLIANCE TO RAIN OR MOISTURE.

CAUTION

TO PREVENT ELECTRIC SHOCK, MATCH WIDE BLADE OF PLUG TO WIDE SLOT, FULLY INSERT.

Product Disposal -

Certain international, national and/or local laws and /or regulations may apply regarding the disposal of this product. For further detailed information, please contact the retailer where you purchased the product or the Polk Audio Importer/Distributor in your country.

A listing of Polk Audio Importer/Distributors can be found on the Polk Audio website: www.polkaudio.com or by contacting Polk Audio at: 1 Viper Way, Vista, CA 92081, USA 800-377-7655

Thank you for your Polk purchase. If you have a question or comment, please feel free to call or email us.

Technical Assistance

In North America, call Polk Customer Service at 800-377-POLK(7655) (M-F, 9 a.m.-5:30 p.m. EST) Outside the US, call +1-410-358-3600

email polkcs@polkaudio.com

Polk Audio
1 Viper Way
Vista, CA 92081

Owner’s manual is also available online at www.polkaudio.com

Placing Your Subwoofer in a Room

Your subwoofer offers many placement options: in an entertainment center, behind furniture, or next to a sofa or chair. You may place your subwoofer anywhere in the room, but you’ll enjoy the best performance when it’s on the same side of the room as your system’s front speakers (Figure 1). Placing your subwoofer near a wall or in a corner will increase its loudness. When placing your subwoofer in the room, always place your subwoofer on its base feet side down (Figure 2). If you can at all avoid it, do not place your subwoofer next to an open door.

FIGURE 1

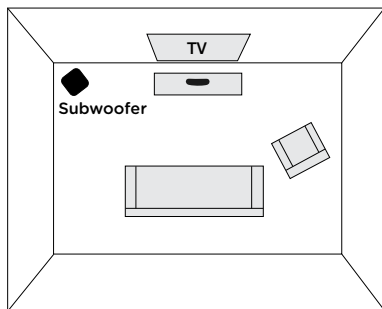
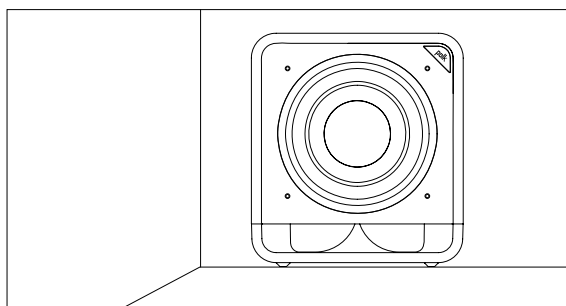


FIGURE 2



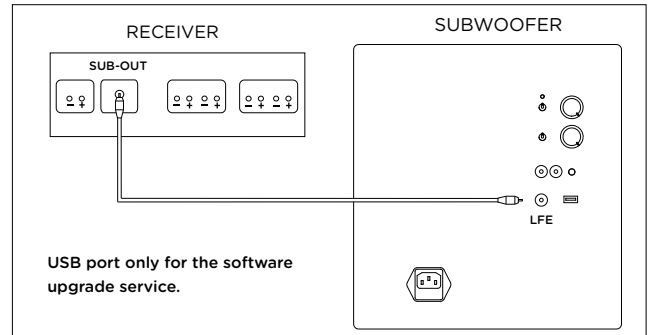
We recommend placing your subwoofer in different locations within your room to learn what produces the best sound quality for your listening environment.

Connecting Your Subwoofer

Receivers that include a “Sub Out” feature are the most common connection method.

- Connect a single RCA cable from the “SUB OUT” of your receiver to the LFE input of the subwoofer. This connecting method bypasses the subwoofer’s internal filter and relies on the filter built into your receiver. Do not connect to the Left or Right RCA jacks when using the LFE input. Do not use speaker wire to make the connection to the subwoofer.

- Connect all speakers directly to the receiver. When using this option, adjust your receiver’s speaker configurations as follows: Set Front, Center and Surround speakers to “small.”
- Depending on your speakers’ bass output capabilities, set the crossover frequency on the receiver to 80Hz for tower and bookshelf speakers (speakers with a woofer 5.25” in diameter or larger) and 100-120Hz for satellite speakers smaller than 5.25”



Receiver Settings:

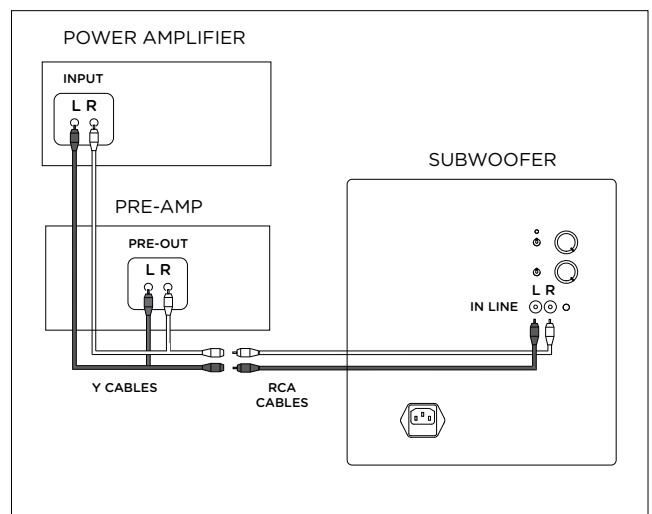
- Front, Center, and Surrounds = “SMALL”
- Subwoofer = “ON,” or “YES,” or “PRESENT”

See your receiver’s owner’s manual for speaker configuration.

Alternative Connection Option

Receivers with full-range (unfiltered) Left and Right “Pre Out” jacks (this is the least commonly used connection). Do not make any other connections to the subwoofer. Do not use the LFE input when utilizing the Left and Right RCA input jacks.

- Connect the left and right preamp output from your receiver to the left and right LINE LEVEL input of the subwoofer. Do not use speaker wires.



- When using this option, it is necessary to adjust the settings on your receiver as follows:

Receiver Settings:

- Front speakers = LARGE
- Subwoofer = “OFF” or “NO”

User will need to set the subwoofer’s crossover in this configuration.

Powering Your Subwoofer

Your system includes a detachable power cord that's packaged separately from the cabinet. Insert female end into the receptacle on the amplifier plate and insert the polarized AC plug into a wall outlet (or power strip). We do not recommend connecting the subwoofer's AC power cord to your receiver's switched outlet.

Adjusting Your System

Subwoofer Adjustments

Your powered subwoofer offers a range of setting options. We recommend the following settings as starting points, but the settings that are best for you depend on your speaker placement, electronics and personal taste. After you've become familiar with what the settings do, experiment with alternate options to find the method that works best for your system setup.

AC Power Connection and Auto On/Off

Your subwoofer features circuitry which automatically turns your subwoofer on when it senses an audio signal. When no signal is present, the subwoofer goes into standby after 20 minutes.

Fine Tuning your Subwoofer

- **Volume**—When you set up your subwoofer for the first time, you may have to make adjustments several times before you hear what you personally like. Start with the volume at 50%. Adjust by ear using a wide variety of CDs and video sources. Adjust for deep, powerful bass without “boominess.”
- **Low Pass**—NOTE: This control does not work when the subwoofer is connected with the LFE Input. This control adjusts the frequency range over which the subwoofer operates. When using smaller main speakers, the upper range of the control will probably yield the best results. With larger speakers, the lower end of the control range will probably sound best, but always let your ear be the final judge. If male vocals sound “thin,” turn this control up until the voice sounds rich but not “boomy.” If male vocals sound too “thick” or “chesty,” turn this control down until the voice sounds natural.
- **Phase Switch**—Sit in your favorite listening position. Play music (not a movie) with a walking bass line. We recommend playing jazz or country music. Now listen carefully for the point at which the subwoofer transitions to your main speakers. This is the crossover point, and this point should be below the frequency of a male human voice. Whichever phase setting sounds louder or fuller at the subwoofer's crossover (transition) point is the optimum setting. Sometimes no difference will be heard.

DC Control (12v Trigger)

The DC Control input lets you power on/off the subwoofer and other home theater equipment (ex. amplifier or receiver) at the same time, while also providing a faster way to power on the subwoofer than normal signal detection. To get the most from the DC Control's functionality, connect the DC input (12V) on your subwoofer to the DC output (12V) on your receiver or amplifier using a 1/8" TS cable. Be sure to switch your subwoofer to DC Control/12V Trigger mode. When the subwoofer receives the 12V input it will immediately turn on, and stay on, until it stops receiving a 12V signal. If you want to use the signal detect function, simply restart the subwoofer by switching the power switch to “Off,” wait 10 seconds, and then flip it back to “Auto On.”

Troubleshooting

When connecting your cables, always make sure the subwoofer is turned off to prevent any/all damage.

No sound is coming from subwoofer or the subwoofer doesn't sound right

If connection is set from your receiver's 'sub out' to the subwoofer LFE, check the receiver is configured to enable the subwoofer (see receiver owner's manual for more information).

Subwoofer has no power

Check outlet; check fuse after unplugging the subwoofer.



1 Viper Way
Vista, CA 92081
800 377 7655
www.polkaudio.com