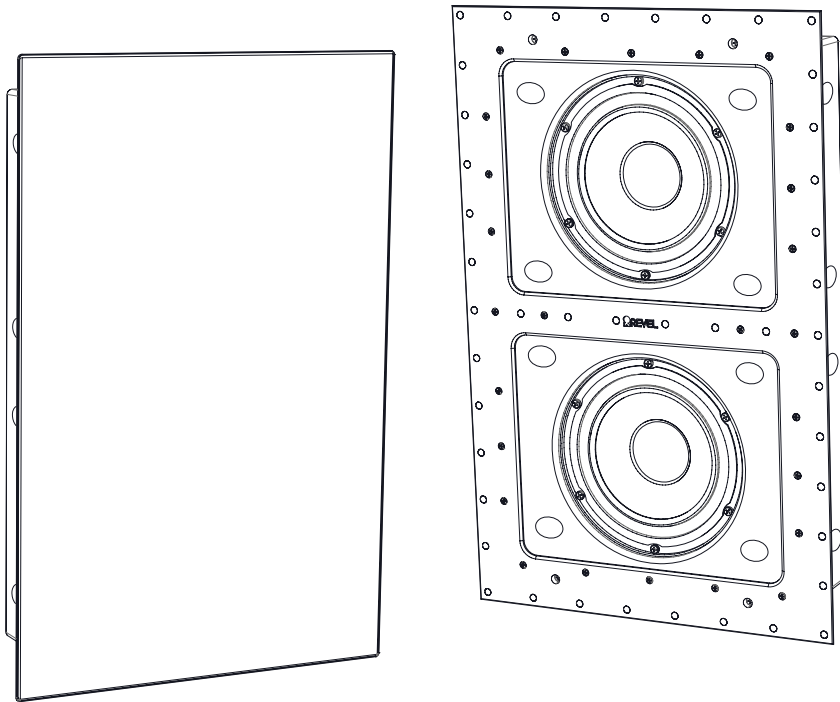


**DIGITAL  
CINEMA**


**AVAILABLE AT  
DIGITAL CINEMA**

# REVEL®

## **B28W** **In-wall Subwoofer** **Owner's Manual**



## IMPORTANT SAFETY INSTRUCTIONS

1. Use only attachments/accessories specified by the manufacturer.
2. Use only with the cart, stand, tripod, bracket, or table specified by the manufacturer or sold with the apparatus. When a cart is used, use caution when moving the cart/apparatus combination to avoid injury from tip-over. 
3. Refer all servicing to qualified service personnel. Servicing is required when the apparatus has been damaged in any way, such as when the power-supply cord or plug is damaged, liquid has been spilled or objects have fallen into the apparatus, or the apparatus has been exposed to rain or moisture, does not operate normally or has been dropped.



This product must not be disposed of or dumped with your other household waste. You are liable to dispose of all your electronic or electrical waste equipment by relocating over to the specified collection point for recycling of such hazardous waste. Isolated collection and proper recovery of your electronic and electrical waste equipment at the time of disposal will allow us to help conserving natural resources. Moreover, proper recycling of the electronic and electrical waste equipment will ensure safety of human health and environment. For more information about electronic and electrical waste disposal, recovery, and collection points, please contact your local city center, household waste disposal service, shop from where you purchased the equipment, or manufacturer of the equipment.

### WEEE NOTICE

The Directive on Waste Electrical and Electronic Equipment (WEEE), which entered into force as European law on 14/02/2014, resulted in a major change in the treatment of electrical equipment at end-of-life.

The purpose of this Directive is, as a first priority, the prevention of WEEE, and in addition, to promote the reuse, recycling and other forms of recovery of such wastes so as to reduce disposal. The WEEE logo on the product or on its box indicating collection for electrical and electronic equipment consists of the crossed-out wheeled bin, as shown below.

### ROHS COMPLIANCE

This product is in compliance with Directive 2011/65/EU of the European Parliament and of the Council of 8 June 2011 on the restriction of the use of certain hazardous substances in electrical and electronic equipment.

## TABLE OF CONTENTS

About Revel® .....	2
About Your Revel® B28w In-Wall Subwoofer .....	2
Product Highlights .....	3
What's In The Box .....	3
Unpacking.....	3
Installation Summary .....	3
Tools Required .....	3
Speaker Placement.....	3
Cutting The Hole .....	4
Running The Wire.....	4
Connections.....	4
Wiring Examples, SA1000 To B28W .....	5
Installation .....	6
Painting The Speaker Grille .....	6
Troubleshooting.....	7
Specifications.....	7
Limited Warranty .....	8

Congratulations and Thank You for purchasing your new REVEL® B28W In-Wall Subwoofer. Please take the time to read the following installation and setup information in order to optimize the performance of your architectural subwoofer system.

### ABOUT REVEL®

Since 1996, REVEL® has stood at the forefront of loudspeaker design and performance. Backed by Harman International's world leading research and design facilities, REVEL® loudspeakers benefit from cutting edge resources such as:

- Multiple large anechoic chambers which allow for precise testing and measurements.
- A multi-channel listening lab for double-blind, position independent listening tests.
- A laser interferometer that enables detailed driver and cabinet analysis.
- Finite element analysis, utilized for advanced loudspeaker modeling.
- A stereo lithography apparatus, which rapidly "builds" tooled parts.

### ABOUT YOUR REVEL® B28W IN-WALL SUBWOOFER

The B28W subwoofer is a dual 8" woofer high performance in-wall subwoofer specifically designed to be used in conjunction with the REVEL® SA1000 subwoofer amplifier. It is optimized to offer the best dynamics and frequency response with use of the REVEL® SA1000 amplifier, which is specially designed to drive signature reactive load impedance of the B28W.

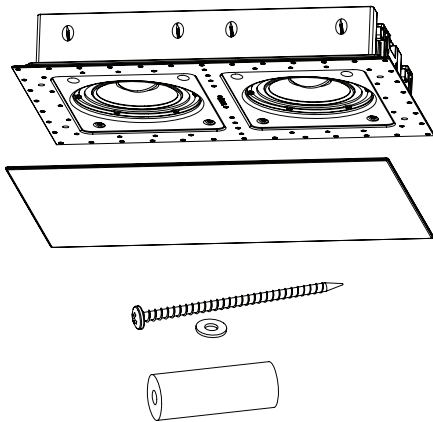
**NOTE: The SA1000, EQ switch position Type 2, and headroom management have been specifically designed for the REVEL® B28W In-wall subwoofer! Use of the B28W with any other amplifier could lead to DAMAGE of the subwoofer or the amplifier. Contact your dealer or visit [www.revelspeakers.com](http://www.revelspeakers.com) for more information.**

## PRODUCT HIGHLIGHTS

- Dual 8" low-profile, long-throw, Klippel-optimized, metal cone woofers
- Easy installation: run wire to mounting position, cut the hole, install the subwoofer
- User-adjustable Single-band PEQ - Room Equalization (in the SA1000 amplifier)
- Gold-plated speaker terminals

## WHAT'S IN THE BOX

- 1 x B28W Subwoofer
- 1 x B28W Subwoofer Grille
- 8 x Mounting screws
- 8 x Mounting screw washers
- 8 x Mounting isolators



## UNPACKING

Carefully unpack the subwoofer and accessories. If you suspect damage from transit, report it immediately to your dealer and/or delivery service. Keep the shipping carton and packing materials for future use.

**WARNING:** Before you start to set up your amplifier, make sure you read and observe the Important Safety Instructions found at the beginning of this manual.

## INSTALLATION SUMMARY

To install and use your new Revel® B28W, follow these steps:

1. Gather the necessary tools
2. Decide where to install the B28W in the room
3. Cut the hole for the B28W
4. Run your wire
5. Connect and install the B28W
6. Enjoy!

## TOOLS REQUIRED

- Stud finder to locate your studs
- Pencil to mark the cut line per the dimension drawings
- Sheetrock knife
- Screwdriver or clutched drill with #2 Philips screwdriver head/bit

Optional:

- Fish tape or stick for running your speaker wire
- Spray paint to paint the grille to better match your décor

The Revel® B28W is extremely easy to install. However, if you are unable to understand and follow the instructions in this manual clearly and fully, or if you are unsure of your ability to install these loudspeakers properly, please contact your dealer or a qualified installer.

**WARNING:** HARMAN International assumes no responsibility for improper installation of hardware or for any personal injuries or product damages resulting from improper installation or a fallen loudspeaker.

## SPEAKER PLACEMENT

Low-frequency sounds are normally omnidirectional, meaning the listener can't tell where they are generated from. However, frequencies between 75Hz and 150Hz can be localized, especially at higher volume levels. Positioning your subwoofer as recommended will provide the most natural soundstage and imaging from your loudspeaker system. It is recommended that you install your B28W in-wall subwoofer along the same wall as the front loudspeakers. The B28W subwoofer is not video-shielded and should not be placed near a video display affected by magnetic fields. Installing the B28W near a corner will tend to maximize low-frequency output. Be cautious when installing in a corner, to avoid a "boomy" sound. Also take into consideration any unusual features of the room, such as an alcove, which may tend to create a localized node that may affect bass response in that area of the room.



It is also recommended that the speaker be installed so that the bottom of the speaker is approximately 12" from the floor. This is to help with the low-frequency loading (bass reinforcement). This also helps hide the speaker in a less visible place. In special circumstances it is acceptable to install the speaker at any height on a wall.

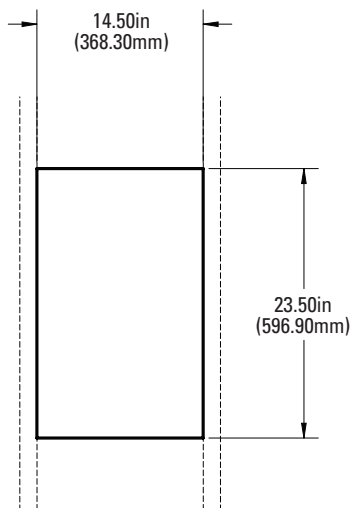
When using two B28W in-wall subwoofer systems, you may need to be concerned about phase, as the sound waves may cancel each other out. If bass response seems low, try inverting the polarity on one subwoofer – i.e., connect the (+) terminal on the amplifier to the (-) terminal on the speaker, and the (-) terminal on the amplifier to the (+) terminal on the speaker.

**NOTE:** Remember that these are just guidelines. Since every listening room is different, we at Revel strongly recommend experimenting with the positioning of your subwoofer prior to cutting the wall to obtain the most pleasing results in your room. One technique that can help you find the ideal subwoofer location is to temporarily borrow a stand-alone subwoofer and place it near the main listening location. Then move around the room and

determine where you hear the most pleasing bass performance. This would then be the ideal location for the subwoofer. To be absolutely sure, we recommend placing your B28W as close as possible to the intended location, and hooking it up to the SA1000 and a source. Then play some music or video clips to make sure it will have the right character. Do not play the B28W too loudly, or it will vibrate on the wall, possibly marking the wall.

### CUTTING THE HOLE

First, use a pencil to mark the hole using the following dimension drawing.



Then carefully use the sheetrock knife to cut the hole along your markings. The hole should just fit between two studs, which the B28W will use for isolation mount attachment.

### RUNNING THE WIRE

#### CAUTION: REMOVE POWER

**You must connect the speaker wires before the speaker is fully installed. To protect the audio system and yourself from damage or injury through accidental electrical shorting and surges during installation, turn all audio system power OFF before beginning the speaker installation.**

At this point, it is a good time to run your wire from the SA1000 amplifier location to the hole that you cut for the B28W. Use high-quality speaker wire to obtain the best performance from your Revel® B28W.

- For wire lengths of less than 50 ft (15m), use at least 16-gauge speaker wire.
- For wire lengths between 50 ft and 100 ft (15m – 30m), use at least 12-gauge speaker wire.
- For wire lengths of greater than 100 ft (30m), use at least 10-gauge speaker wire.

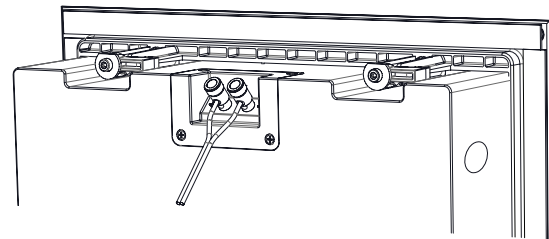
*Note: All speaker wires must comply with all local building and safety codes for use in in-wall applications.*

Either place the B28W on a flat surface on its face, or have someone hold it while you connect the wires to the gold-plated speaker terminals at the top end. Push on the speaker terminal to open the wire hole and insert the wire, positive lead to red, and negative lead to black. Make sure that no stray wire strands touch the other speaker terminal.

## CONNECTIONS

Use one side of the wire to connect one of the SA1000's positive (+) output terminal to the positive (red) terminal on the B28W. Most wires have one lead with either printing, periodically spaced plus signs, or a rib to differentiate it from the other lead just for this purpose. Use the other lead of the pair to connect the associated negative (-) SA1000 terminal to the negative (black) terminal on the same B28W. It does not matter which set of outputs a single B28W is connected to.

In general, do not reverse polarities (that is, do not connect the SA1000 + output to the B28W – input, or the SA1000 – output to the B28W + input) when making connections. In most rooms, doing so will cause poor imaging and diminished bass response. In unusual rooms or placements however, it might help to do this – see Troubleshooting, below.



Press down on the post to open the hole; insert the bare end of the wire into the hole and release the post to secure the wire.

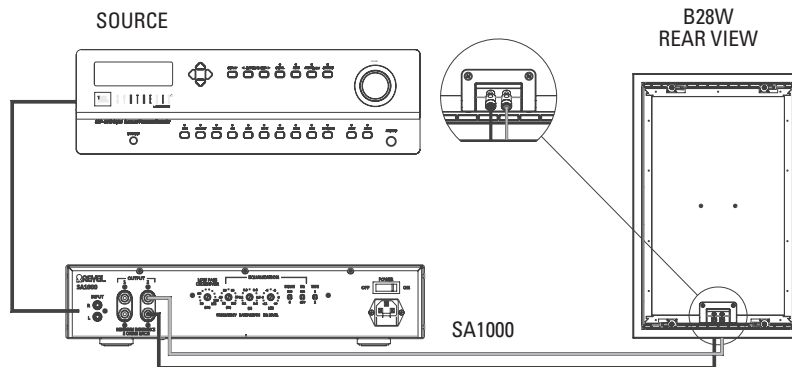
**CAUTION: To avoid short circuits that may damage your equipment, be certain that positive and negative wire strands do not touch each other and do not touch metal parts such as the speaker frame.**

**CAUTION: When connecting two B28W subwoofers to one SA1000, ALWAYS connect one to one output of the SA1000. NEVER connect two B28Ws to one SA1000 output because either the amplifier or speaker will be damaged.**

**WIRING EXAMPLES, SA1000 TO B28W**

*IMPORTANT! For B28W in-wall sub, select EQ Switch Position Type 2*

Connecting a single B28W subwoofer:



Connecting two B28W subwoofers:

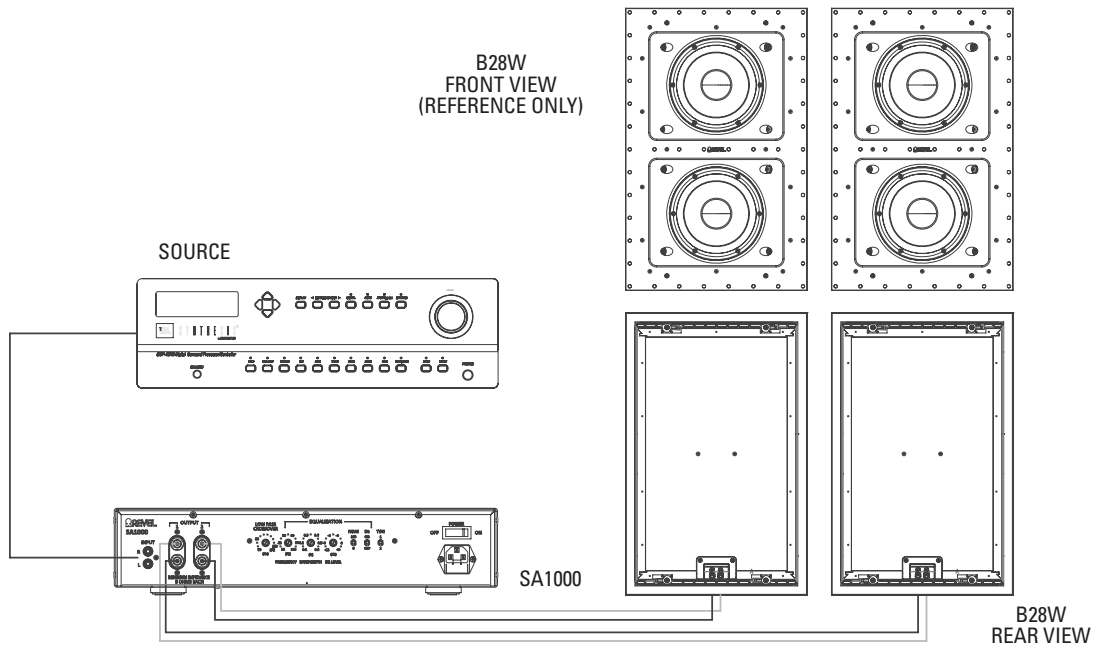
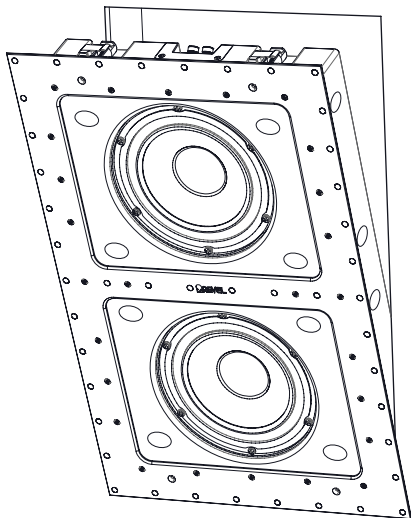


Figure 7

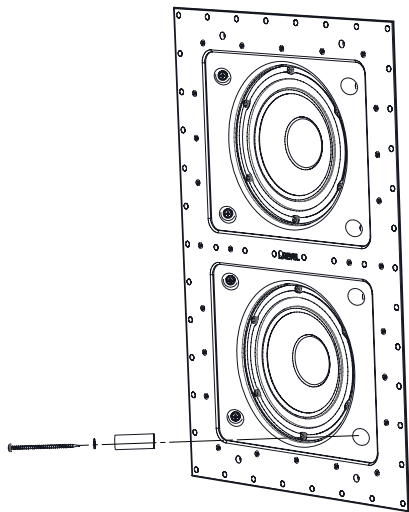
## INSTALLATION

Once the wire is attached to the B28W in-wall subwoofer, place the subwoofer into the opening you have cut in your wall. The B28W is designed for the terminals to point up as it sits in the wall.



When the B28W is in the wall, tighten the attachment screws at the top and bottom. This will bind the wall to the dog-leg clamps at the ends of the subwoofer. **DO NOT OVER-TIGHTEN** – at this point, they only need to be firm.

Insert one mounting isolator into each of 8 openings. Next, put one washer onto each included mounting screw, and insert this assembly into the isolation mount through-hole.



Now tighten the isolator mount screws. This assembly will expand the isolator mount to hold the subwoofer in the wall. The screws should be firmly tightened enough to expand the isolator mounts, but do not need to be tightened beyond this point.

After installation, play signal through the subwoofer. If there is any buzzing or rattling coming from the B28W, adjust the mounting screw tightness until it is gone.

## PAINTING THE SPEAKER GRILLE

The B28W loudspeaker grille can be painted to match any décor. If you wish to change the color, the satin finish on the grille will function as a primer coat. Use a high-quality spray paint, and apply a thin coat of color. Paint the grille separately from the baffle before installing it. After painting the grille, remove and discard the scrim cloth attached to the back side of the grille. If you choose to paint your grille, you may order an extra scrim cloth by contacting us at the phone number located at the end of this manual.

## TROUBLESHOOTING

### SYMPTOM

If there is no sound from any of the speakers:

### SOLUTION

- Check that the source/receiver/SA1000 is on and playing.
- Check all wires and connections between the receiver/SA1000 and the speakers. Make sure all wires are connected. Make sure none of the speaker wires are frayed, cut, punctured or touching each other.
- Review proper operation of your receiver/SA1000.

If there is no sound coming from one speaker:

- Check the Balance control and channel output level settings on your receiver/SA1000.
- Check all wires and connections between the receiver/SA1000 and the speakers. Make sure all wires are connected. Make sure none of the speaker wires are frayed, cut, punctured or touching each other. In multichannel applications, make sure that your receiver/processor has been configured to enable all channels that you are using.

If there is low (or no) bass output:

- Make sure the connections to the speaker inputs have the correct polarity (+ and –). If you are using two B28W subwoofers, try inverting the polarity on one subwoofer.
- In surround modes, make sure your receiver/ processor is correctly configured. Make sure the subwoofer output of the receiver/processor has been enabled. See your receiver/ processor's owner's manual for further information on correct speaker configuration in surround modes.

If the system plays at low volumes but shuts off as volume is increased:

- Check all wires and connections between the receiver/SA1000 and all of the speakers. Make sure all wires are connected. Make sure none of the speaker wires are frayed, cut, punctured or touching each other. A shorting satellite speaker could shut the receiver down.
- If more than one pair of main speakers is being used, check the minimum-impedance requirements of your receiver.

If you are hearing midrange frequencies (such as vocals) through the subwoofer:

- Adjust the crossover frequency on your Revel SA1000 amplifier to a lower value.

### EXCESSIVE OUTPUT LEVELS

Your Revel® loudspeakers feature custom-designed transducers and high quality network components featuring high-order filters with steep cutoffs that reduce the potential of damage to individual speaker drivers and help the loudspeakers maintain their performance even under extreme operating conditions. However, all loudspeakers have limits when it comes to continuous playback. To extend these limits, avoid playback at volume levels that result in distorted or strained sound.

## SPECIFICATIONS

### REVEL B28W

Driver Complement	Dual 8" Polymer-coated Aluminum Cone Rubber-Surround woofers
Frequency Response (-6 dB)	36 Hz – 150 Hz, using the SA1000
Required Amplifier	Revel® SA1000 Amplifier, in EQ Switch Position Type 2
Nominal Impedance	8 Ohm
Sensitivity	Variable, using the SA1000
Dimensions (H x W x D), with grille	25-3/8" x 16-1/2" x 4" (645mm x 419mm x 102mm)
Mounting Cutout Size (H x W)	23-1/2" x 14-1/2" (596.9mm x 368mm)
Weight per speaker	28.4 lb. (12.9kg.)

Features, specifications and appearance are subject to change without notice.



## LIMITED WARRANTY

Revel loudspeakers are warranted against defects. The duration of a warranty depends on the laws in the country in which it was purchased. Your local Revel retailer can help you determine the duration and coverage of your warranty.

For more information please visit: [REVELSPEAKERS.COM](http://REVELSPEAKERS.COM)

Please visit [REVELSPEAKERS.COM](http://REVELSPEAKERS.COM) for additional language support on the user manual.

Veillez visiter [REVELSPEAKERS.COM](http://REVELSPEAKERS.COM) pour obtenir le mode d'emploi en d'autres langues.

Para obter o manual do usuário em outros idiomas, acesse [REVELSPEAKERS.COM](http://REVELSPEAKERS.COM)

Ga naar [REVELSPEAKERS.COM](http://REVELSPEAKERS.COM) voor de handleiding in andere talen.

Gå til [REVELSPEAKERS.COM](http://REVELSPEAKERS.COM) for bruksanvisning på flere språk.

Если вам требуется дополнительные версии руководства пользователя на других языках, посетите сайт [REVELSPEAKERS.COM](http://REVELSPEAKERS.COM).

別の言語に対応したユーザーマニュアルを読むには、[REVELSPEAKERS.COM](http://REVELSPEAKERS.COM)にアクセスしてください。

사용자 설명서에 대한 추가 언어 지원은 [REVELSPEAKERS.COM](http://REVELSPEAKERS.COM)에서 확인하십시오

请访问 [REVELSPEAKERS.COM](http://REVELSPEAKERS.COM) 以获取其他语言版本的用户手册。

Visita [REVELSPEAKERS.COM](http://REVELSPEAKERS.COM) para obtener el manual de usuario de soporte en idiomas adicionales.

Weitere Sprachfassungen der Bedienungsanleitung findest Du unter [REVELSPEAKERS.COM](http://REVELSPEAKERS.COM).

Si prega di visitare [REVELSPEAKERS.COM](http://REVELSPEAKERS.COM) per i manuali di istruzioni in altre lingue.

Jos tarvitset ylimääräistä kieleen liittyvää tukea käyttöohjeesta, käy osoitteessa [REVELSPEAKERS.COM](http://REVELSPEAKERS.COM).

Gå ind på [REVELSPEAKERS.COM](http://REVELSPEAKERS.COM) for at se betjeningsvejledningen på flere sprog.

Gå till [REVELSPEAKERS.COM](http://REVELSPEAKERS.COM) för mer information om språk i användarmanualen.



Торговая марка:	Revel
Назначение товара:	Пассивная акустическая система
Изготовитель:	Харман Интернешнл Индастриз Инкорпорейтед, США, 06901 Коннектикут, г.Стэмфорд, Атлантик Стрит 400, офис 1500
Страна происхождения:	Китай
Импортер в Россию:	ООО Внешторг-Юг, Россия, 171640, Тверская область, г.Кашин, ул. Карла Маркса, д.57А
Гарантийный период:	1 год
Информация о сервисных центрах:	<a href="http://absolut-audio.ru/Servis/">http://absolut-audio.ru/Servis/</a> тел. +7 (495) 995-10-80
Срок службы:	5 лет
Номер документа соответствия:	Товар не подлежит обязательной сертификации
Дата производства:	Дата изготовления устройства определяется по двум буквенным обозначениям из второй группы символов серийного номера изделия, следующих после разделительного знака «-». Кодировка соответствует порядку букв латинского алфавита, начиная с января 2010 года: 000000-МУ000000, где «М» - месяц производства (А - январь, В - февраль, С - март и т.д.) и «У» - год производства (А - 2010, В - 2011, С - 2012 и т.д.).

#### 产品中有害物质的名称及含量

部件名称	目标部件	有害物质或元素					
		铅(Pb)	汞(Hg)	镉(Cd)	六价铬(Cr(VI))	多溴联苯(PBB)	多溴二苯醚(PBDE)
电路板	印刷电路板, 电路板上的电子零件 (不包括特定电子零件), 内部相关连接线	X	0	0	0	0	0
箱体	外壳, 面板, 背板等	X	0	0	0	0	0
特定电子零部件	变压器, 保险丝, 大型电解电容, 电源插座	X	0	0	0	0	0
附件	电线, 说明书, 包装等	X	0	0	0	0	0

本表格依据SJ/T 11364的规定编制

○ : 表示该有害物质在该部件所有均质材料中的含量均在GB/T 26572 规定的限量要求以下。

X : 表示该有害物质至少在该部件的某一均质材料中的含量超出GB/T 26572规定的限量要求。



在中华人民共和国境内销售的电子电气产品上将印有“环保使用期”(EPUP)符号。圆圈中的数字代表产品的正常环保使用年限。



HARMAN International, Incorporated  
8500 Balboa Boulevard, Northridge, CA 91329 USA

© 2017 HARMAN International, Incorporated. All rights reserved.

Revel and the Revel logo are trademarks of HARMAN International Industries, Incorporated, registered in the United States and/or other countries.

Features, specifications and appearance are subject to change without notice.

For questions, assistance or additional information concerning any of our products, call us at: (516) 594-0300 or (888) 691-4171. For technical support, submit your detailed inquiry

