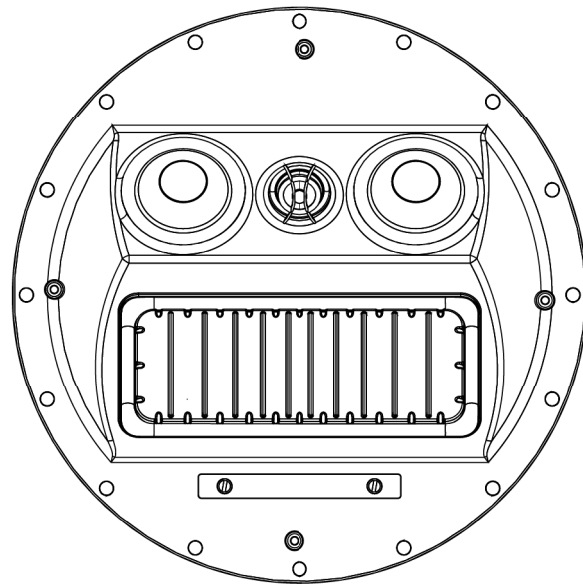




**AVAILABLE AT  
DIGITAL CINEMA**

**REVEL<sup>®</sup>**

**C763L In-Ceiling  
LCR Loudspeaker  
Instruction Manual**



## DOCUMENTATION CONVENTIONS

This document contains general safety, installation and operation instructions for the Revel® C763L in-ceiling LCR loudspeaker. It is important to read this document before attempting to use this product. Pay particular attention to:

**WARNING: Calls attention to a procedure, practice, condition or the like that, if not correctly performed or adhered to, could result in injury or death.**

**CAUTION: Calls attention to a procedure, practice, condition or the like that, if not correctly performed or adhered to, could result in damage to or destruction of part of or the entire product.**

*Note: Calls attention to information that aids in the installation or operation of the product.*

## THANK YOU FOR CHOOSING THIS REVEL® PRODUCT!

Your Revel® C763L in-ceiling LCR loudspeaker has been designed to deliver unsurpassed home theater sound reproduction but not to intrude on your room or its décor. Revel in-ceiling loudspeakers draw upon the same research, resources and unique perspective that put all Revel loudspeakers in a class by themselves. Revel in-ceiling loudspeakers provide unparalleled value and are known for their standard-setting low sonic coloration and their freedom from distortion over an extraordinarily wide dynamic range.

## PRODUCT REGISTRATION

Please take a moment to register your product on our Web site at [www.revelspeakers.com](http://www.revelspeakers.com). You'll enable us to keep you posted on our latest advancements and help us to understand our customers and build products that meet their needs and expectations.

## BOX CONTENTS

Your Revel C763L in-ceiling LCR loudspeaker box should contain the following items:

- 1 x Revel C763L in-ceiling LCR loudspeaker
- 1 x round grille
- 1 x square grille
- 1 x extra scrim cloth for round grille
- 1 x extra scrim cloth for square grille
- 1 x mounting template
- 1 x instruction manual

## UNPACKING THE SPEAKER

Carefully unpack the speaker. If you suspect damage from transit, report it immediately to your dealer and/or delivery service. Keep the shipping carton and packing materials for future use.

## PLANNING YOUR SYSTEM

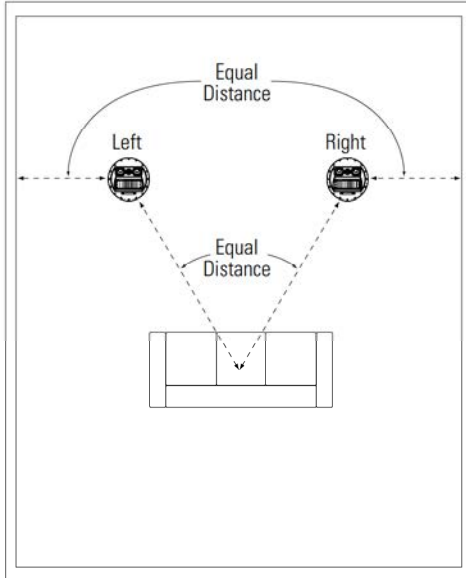
**CAUTION: Revel C763L loudspeakers are specifically designed to be used only at frequencies above 80Hz, with a suitable electronic crossover and powered subwoofer. Do not operate the speakers at full range (below 80Hz).**

A powered subwoofer will add impact and realism to both music and film soundtracks. Contact your Revel dealer for recommendations on subwoofer models for your application.

Your new Revel loudspeakers have been engineered to provide extremely accurate performance. However, any speaker's ultimate performance will be affected by the speaker's placement in the listening room and the acoustics of the room. Not all listening spaces can accommodate the ideal conditions of these two factors. Therefore, the placement of your Revel in-ceiling loudspeakers will have a significant impact on their general performance.

## LOUDSPEAKER PLACEMENT FOR TWO-CHANNEL STEREO

Place the left and right loudspeakers the same distance from the primary listening area (or as close to the same distance as possible). The distance from each speaker to its nearest side wall should also be the as close to the same distance as possible.



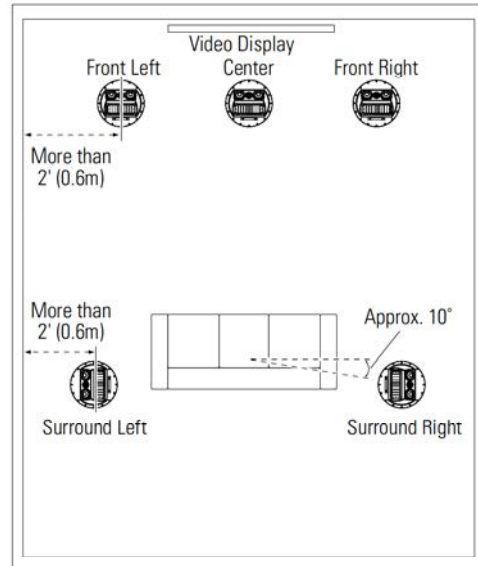
Ideally, the distance between the left and right loudspeakers should be slightly less than their distance from the primary listening area.

## LOUDSPEAKER PLACEMENT FOR HOME THEATER

- The front left, center and front right loudspeakers should be centered relative to the video display, with their midrange/tweeter transducers facing towards the listening area.
- The front left, center, and front right loudspeakers should be closer to the video display than to the main listening area. For example, if the video display is 10 ft (3m) from the main listening area, the loudspeakers should be no more than 4 ft (1.2m) from the display.
- The front left and front right loudspeakers should be relatively close to the sides of the video display. For example, front left and front right loudspeakers used with a 50-in (1.2m) video display should generally not be more than 80 in (2m) apart.
- The center loudspeaker should be aligned with the center of the video display.
- The surround-channel loudspeakers should be as far from the main listening area as possible, but at least 2 ft (0.6m) from side and rear walls.

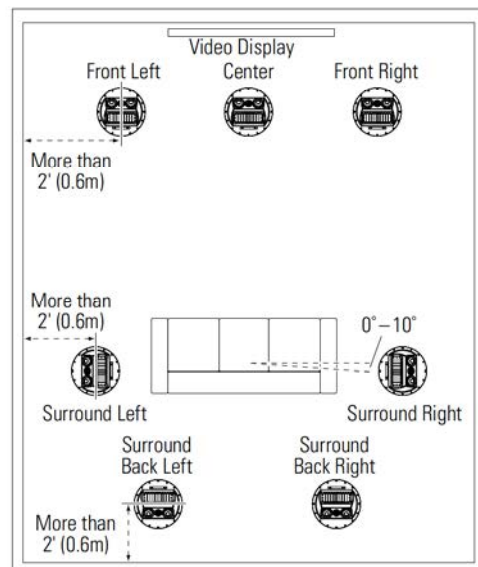
### 5.1-Channel Speaker Placement

- In a 5.1-channel system, the surround left and surround right loudspeakers should be located to the sides of, and approximately 10 degrees behind, the main listening area. The midrange/tweeter transducers should normally be oriented towards the listeners. However, if a more diffuse surround soundfield is desired – for instance, if the room has more than one row of seats – you can orient the midrange/tweeter transducers towards the room's rear wall.



### 7.1-Channel Speaker Placement

- In a 7.1-channel system, the surround left and surround right loudspeakers should be located directly to the sides of, or up to 10 degrees behind, the main listening area.
- In a 7.1-channel system, the surround back left and surround back right loudspeakers should be equidistant from the primary listening area and generally as far away from it as possible, but at least 2 ft (0.6m) from the side and rear walls. The midrange/tweeter transducers should be oriented towards the listeners.





## INSTALLATION INSTRUCTIONS

Revel in-ceiling speakers are the most easily installed in-ceiling loudspeakers on the market. However, if you are unsure of your ability to install these loudspeakers properly, please contact your dealer or a qualified installer.

**WARNING: HARMAN International assumes no responsibility for improper installation of hardware or for any personal injuries or product damages resulting from improper installation or a fallen loudspeaker.**

**CAUTION: Revel C763L loudspeakers are specifically designed to be used only at frequencies above 80Hz, with a suitable 80Hz or higher electronic crossover and powered subwoofer. Do not operate the speakers at full range (below 80Hz).**

### CONNECTING TO THE AMPLIFIER

#### CAUTION: REMOVE POWER

**You must connect the speaker wires before the speaker is fully installed. To protect the audio system and yourself from damage or injury through accidental electrical shorting and surges during installation, turn all audio system power OFF before beginning the speaker installation.**

#### Speaker Wire

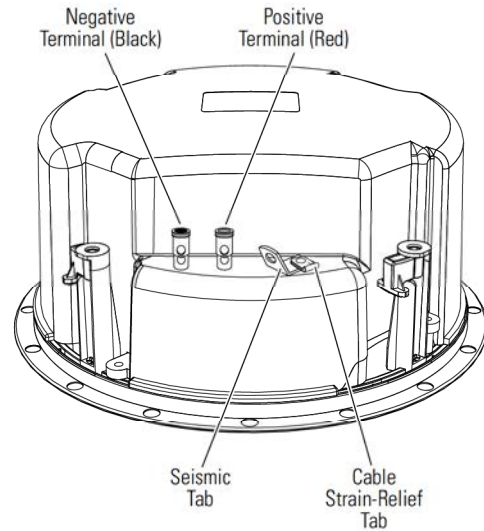
Use high-quality speaker wire to obtain the best performance from your Revel in-ceiling speakers.

- For wire lengths of less than 50 ft (15m), use at least 16-gauge speaker wire.
- For wire lengths between 50 ft and 100 ft (15m – 30m), use at least 12-gauge speaker wire.
- For wire lengths of greater than 100 ft (30m), use at least 10-gauge speaker wire.

*Note: All speaker wires must comply with all local building and safety codes for use in in-ceiling applications.*

### Making Connections

Connect each channel's positive (+) terminal on the back of the amplifier or receiver to the positive (red) terminal on the corresponding speaker; connect each channel's negative (–) terminal on the back of the amplifier or receiver to the negative (black) terminal on the corresponding speaker. Do not reverse polarities (that is, do not connect + to –, or – to +) when making connections. Doing so will cause poor imaging and diminished bass response.



Press down on the top of the terminal to open the hole; insert the bare end of the wire into the hole; and release the terminal to secure the wire.

#### CAUTION

**To avoid short circuits that may damage your equipment, be certain that positive and negative wire strands do not touch each other and do not touch metal parts such as the speaker frame.**

## MOUNTING THE SPEAKERS

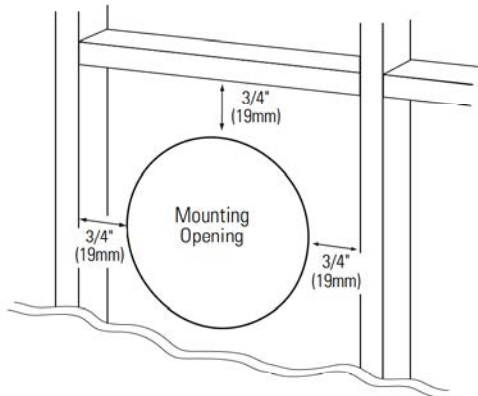
### For New Construction

If you wish to pre-install a rough-in frame for the speakers before the drywall is installed in new construction, you will need to purchase the correct rough-in frame kit for your loudspeaker model from your authorized Revel dealer. Detailed mounting instructions are supplied with the rough-in kit. After the drywall is installed, follow the installation instructions in *For Existing Construction*, below.

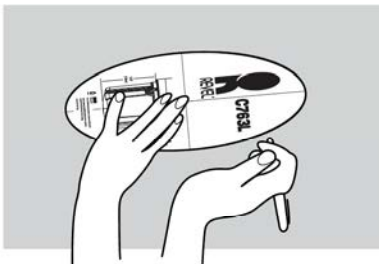
### For Existing Construction

1. Ensure that the drywall, plywood or other ceiling material is 1/2" – 1-1/2" (13mm – 38mm) thick and capable of withstanding the weight of the speaker being installed.

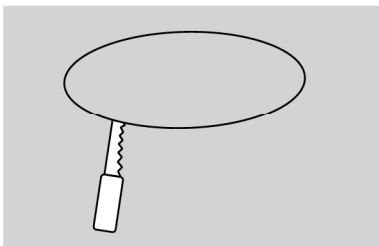
Make sure to allow at least 3/4" (19mm) between the edge of the mounting opening and any rafters or other obstructions behind the wall, so the speaker's locking mechanism will have room to engage fully. Perform an obstruction survey to be sure that there are no studs, conduit, pipes, heating ducts or air returns in the ceiling cavity that will interfere with the speaker.



2. Determine the correct speaker location and use the template included with the speaker to mark the ceiling material.



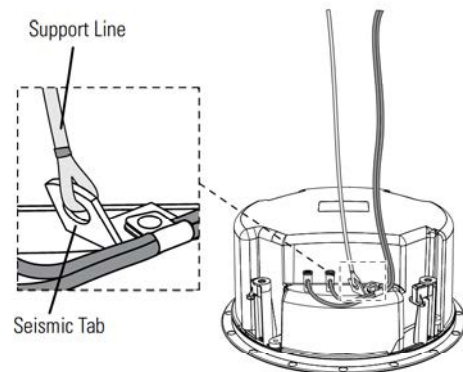
3. Cut the ceiling drywall along the mark you made in Step 2 to create the mounting cutout.



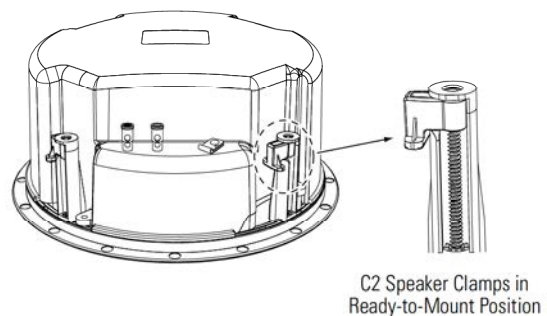
4. Connect the speaker to the amplifier as explained in *Connecting to the Amplifier*, on page 4. Use the nylon cable-strain relief tab, located next to the speaker terminals, to help prevent the speaker wire from being accidentally disconnected.



5. Attach the speaker's seismic tab to a support line, as per local safety regulations.



6. Make sure all four C2 speaker clamps are in their "ready-to-mount" position.

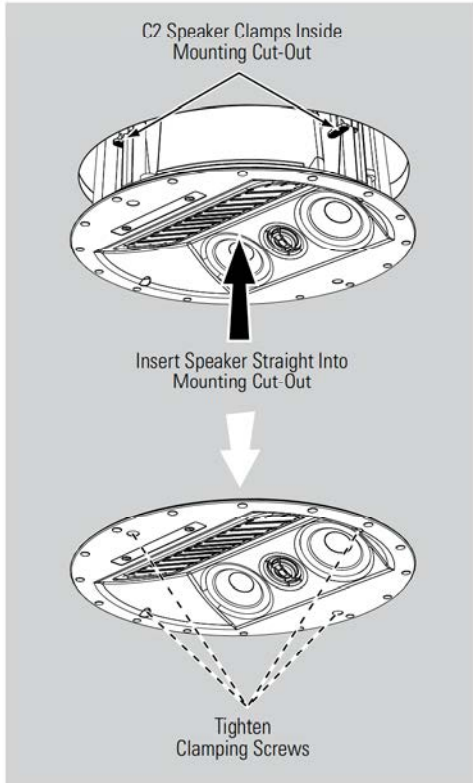




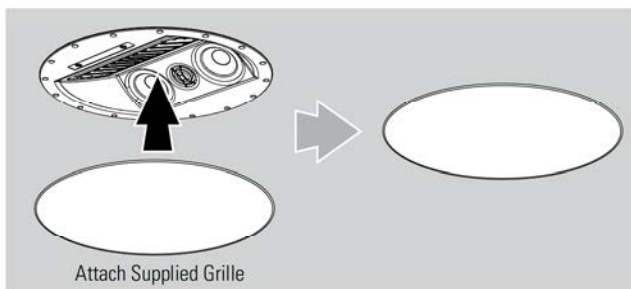
7. Insert the speaker straight into the mounting opening. Tighten the speaker clamp screws on the front of the speaker baffle. The speaker clamps will automatically rotate into position and begin clamping the speaker.

- When you notice resistance on the screws the speaker has been clamped successfully.

**IMPORTANT: Always use low-torque settings. NEVER over-tighten the clamp screws**



8. Attach the supplied round or square grille. Powerful magnets in the speaker frame will securely hold the grille in place.



### Painting the Grille

Revel architectural loudspeaker grilles can be painted to match any décor. If you wish to change the grille's color, its satin finish will function as a primer coat. For the best results follow this procedure:

1. Gently remove the scrim cloth from the back side of the grille before painting.
2. Use a high-quality spray paint and apply a thin coat of color. Ensure that the grille perforations remain free of paint. Filling them with paint will diminish the speaker's sound quality. If any perforations are plugged, use compressed air to blow the paint out of the perforations.

*Note: If you find any grille perforations that are plugged with paint after the paint has dried, carefully use a straight pin or sewing needle to remove the paint.*

3. We have included round and rectangular replacement scrim cloths. After the paint has dried, apply a light coat of spray adhesive to the inside of the perforated grille and attach a new scrim cloth. **IMPORTANT:** Never spray adhesive on the cloth.

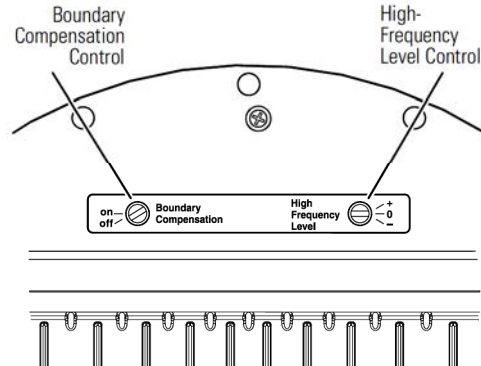
## USING YOUR SPEAKERS

### ADJUSTMENTS

#### Boundary Compensation Control

The Boundary Compensation control reduces the speaker's bass output level to compensate for the greater reflection of bass energy when the speaker is placed near a wall.

When possible, avoid mounting the speaker within 2 ft (0.6m) of an adjacent wall. If such placement is unavoidable, set the Boundary Compensation control to the "On" position.



#### High-Frequency Level Control

The High-Frequency Level control lets you fine-tune the speaker's high-frequency output to compensate for various acoustical environments. The control has three settings:

**+**: **Increases high-frequency output.** Set the switch to this position if the room has many features that absorb high-frequency sound energy, such as thick carpeting, drapes and fabric-covered furniture.

**0**: **Normal high-frequency output.** Set the switch to this position for most installations.

**-**: **Decreases high-frequency output.** Set the switch to this position if the room has many features that reflect high-frequency sound energy, such as large uncovered windows, bare tile floors and large expanses of bare walls, or if the speakers are used without grilles.

## EXCESSIVE OUTPUT LEVELS

Your Revel loudspeakers feature custom-designed transducers and high-quality network components featuring high-order filters with steep cutoffs that reduce the potential of damage to individual speaker drivers and help the loudspeakers maintain their performance even under extreme operating conditions. However, all loudspeakers have limits when it comes to continuous playback. To extend these limits, avoid playback at volume levels that result in distorted or strained sound.

## OBTAINING SERVICE

To obtain service, contact an authorized Revel dealer. Refer to *Limited Warranty*, on this page, for more information.

## SPECIFICATIONS

Low-frequency transducer:	7-3/4" x 3-3/8" (197mm x 85mm) flat-panel MCC (micro-ceramic composite) diaphragm
Midrange transducer:	2 x 3" (75mm) cones with MCC (micro-ceramic composite) diaphragms
High-frequency transducer:	1" (25mm) low-distortion metal dome
Frequency range:	80Hz – 20kHz (±3dB)
Recommended amplifier power range:	10 – 200 watts
Sensitivity (2.83V/1m):	85dB
Nominal impedance:	8 ohms
Crossover frequencies:	700Hz, 2kHz; 24dB/octave
External diameter (with round grille):	12-7/16" (316mm)
Mounting cutout diameter:	11-1/4" (286mm)
Mounting depth:	5-5/8" (143mm)
Weight:	8 lb (3.6kg)

## LIMITED WARRANTY

A valid serial number is required for warranty coverage. This Revel warranty protects the original retail purchaser for a period of five (5) years (parts and labor) from any failure as a result of original manufacturing defects so long as:

1. The Revel products were purchased within the 50 United States, its territories or Canada.
2. The dealer from whom the Revel products were purchased was authorized to sell such products at the time of the original purchase.
3. The original, dated Bill of Sale is presented whenever service is required during the warranty period.

The balance of this warranty is transferable only if the used product is purchased from an authorized Revel dealer. This warranty is only valid for service within the United States, its territories and Canada; please contact an authorized Revel dealer for warranty and service information.

Any Revel product not performing satisfactorily may be returned to the factory for evaluation. Return authorization must first be obtained by either calling or writing Customer Service prior to shipping the product. The customer is responsible for shipping charges to the

factory. Customer Service will pay return shipping charges within the United States only in the event that the product is found to be defective as mentioned above. There are other stipulations that may apply to shipping charges.

There is no other express warranty on this product. Neither this warranty nor any other warranty, express or implied, including implied warranties of merchantability and fitness, shall extend beyond the warranty period. No responsibility is assumed for any incidental or consequential damages, so that the above exclusion or limitation may not apply.

This warranty provides specific legal rights. Other states may provide additional rights. This warranty is applicable in the United States, its territories and Canada. Outside of the United States, its territories and Canada, please contact an authorized Revel dealer for warranty and service information.

The information this document contains is subject to change without notice. In the event that there are differences between this warranty and the provisions of any advertisements, documentation, product brochures or packaging cartons, the terms of this warranty will prevail.



[www.revelspeakers.com](http://www.revelspeakers.com)

© 2012 HARMAN International Industries, Incorporated  
All rights reserved.

Revel and the Revel logo are trademarks of HARMAN International Industries, Incorporated, registered in the United States and/or other countries.

Features, specifications and appearance are subject to change without notice.



For questions, assistance or additional information concerning any of our products, call us at: (516) 594-0300 or (888) 691-4171.  
For technical support, submit your detailed inquiry to:  
[csupport@harman.com](mailto:csupport@harman.com).

Part No. REVP4442 Rev.: 0