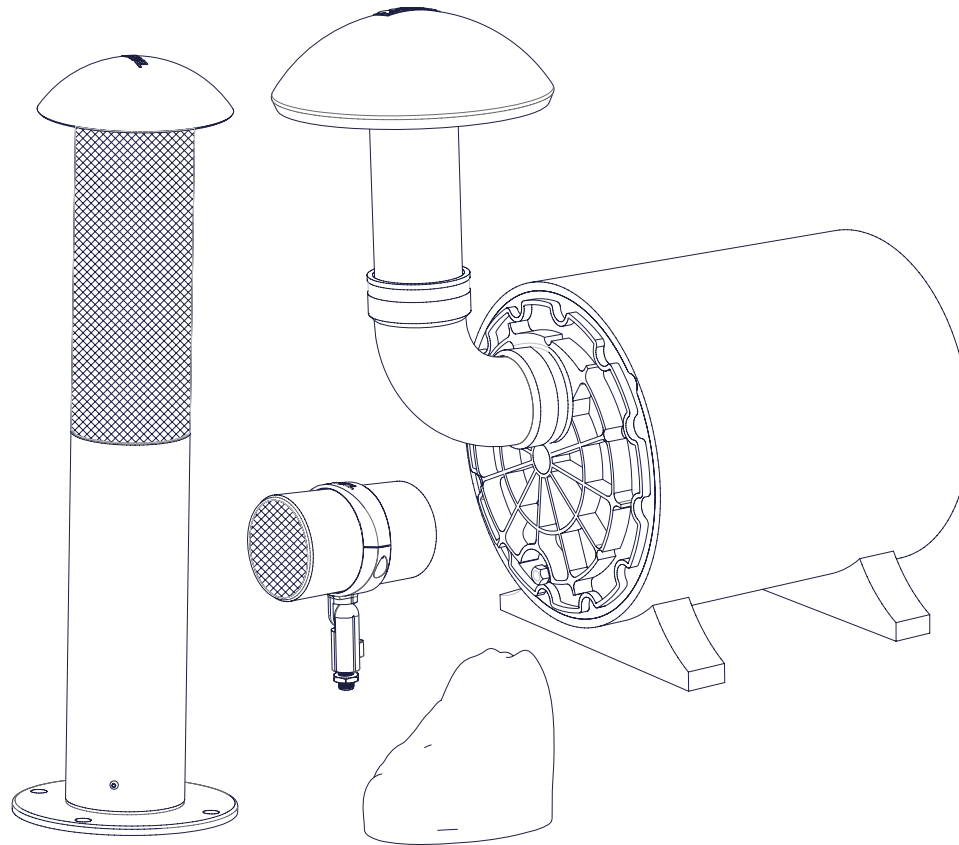


**DIGITAL  
CINEMA**

**AVAILABLE AT  
DIGITAL CINEMA**


**REVEL®**

**Extreme Climate Series Landscape  
L41XC, L42XC and L12XC  
Owner's Manual**



**REVEL®**  
by HARMAN

## IMPORTANT SAFETY INSTRUCTIONS

1. Use only attachments/accessories specified by the manufacturer.
2. Use only with the cart, stand, tripod, bracket, or table specified by the manufacturer or sold with the apparatus. When a cart is used, use caution when moving the cart/apparatus combination to avoid injury from tip-over. 
3. Refer all servicing to qualified service personnel. Servicing is required when the apparatus has been damaged in any way, such as when the power-supply cord or plug is damaged, liquid has been spilled or objects have fallen into the apparatus, or the apparatus has been exposed to rain or moisture, does not operate normally or has been dropped.



This product must not be disposed of or dumped with your other household waste. You are liable to dispose of all your electronic or electrical waste equipment by relocating over to the specified collection point for recycling of such hazardous waste. Isolated collection and proper recovery of your electronic and electrical waste equipment at the time of disposal will allow us to help conserving natural resources. Moreover, proper recycling of the electronic and electrical waste equipment will ensure safety of human health and environment. For more information about electronic and electrical waste disposal, recovery, and collection points, please contact your local city center, household waste disposal service, shop from where you purchased the equipment, or manufacturer of the equipment.

### WEEE NOTICE

The Directive on Waste Electrical and Electronic Equipment (WEEE), which entered into force as European law on 14/02/2014, resulted in a major change in the treatment of electrical equipment at end-of-life.

The purpose of this Directive is, as a first priority, the prevention of WEEE, and in addition, to promote the reuse, recycling and other forms of recovery of such wastes so as to reduce disposal. The WEEE logo on the product or on its box indicating collection for electrical and electronic equipment consists of the crossed-out wheeled bin, as shown below.

### ROHS COMPLIANCE

This product is in compliance with Directive 2011/65/EU of the European Parliament and of the Council of 8 June 2011 on the restriction of the use of certain hazardous substances in electrical and electronic equipment.

## TABLE OF CONTENTS

About Revel® XC Extreme Climate Series Landscape Speakers .....	2
Feature Highlights .....	3
Unpacking the Loudspeakers .....	3
Speaker Positioning .....	4
System Design .....	4
Mounting Instructions .....	5
L41XC Satellite Speaker .....	6
L42XC Bollard-Style Satellite Speaker .....	8
L12XC Subwoofer .....	9
Working with Distributed 70 Volt Line Systems .....	10
Wiring Instructions .....	11
L41XC Satellite Speaker .....	11
L42XC Bollard Satellite Speaker .....	14
L12XC Subwoofer .....	17
Painting the Speakers .....	18
Care and Maintenance .....	18
Specifications .....	19

## ABOUT REVEL® XC EXTREME CLIMATE SERIES LANDSCAPE SPEAKERS

Thank you for your purchase of Revel Extreme Climate landscape loudspeakers. Please read this manual in its entirety to familiarize yourself with the product before attempting installation. Your XC landscape loudspeakers have been designed to bring Revel's uncompromising and award-winning sound into garden landscapes and the great outdoors. They offer the versatility, durability and high-performance that an outdoor environment demands without sacrificing sound quality. Revel XC landscape loudspeakers provide the ultimate speaker solution for premium outdoor audio.

## FEATURE HIGHLIGHTS

### REVEL L41XC LANDSCAPE SATELLITE SPEAKER

- Compact 2-way loudspeaker with durable Micro Ceramic Composite (MCC) aluminum diaphragm woofers and tweeters
- Extreme Climate build-quality meets rigorous IP67 weather ability standards
- 4-Ohm or 70V operation with integrated 70Volt transformer with selectable power taps (7.5, 15, 30, 60 Watts)
- Aluminum housing with sliding mounting collar to provide installation flexibility and position stability
- Included 12-inch / 300mm ground spike
- Optional mounting bracket allows for mounting to walls and trees, or as a pendant or “spotlight” style speaker

### REVEL L42XC LANDSCAPE BOLLARD SPEAKER

- Bollard-style 2-way loudspeaker with integrated low-voltage lighting
- Durable Micro Ceramic Composite (MCC) aluminum diaphragm woofers and tweeters
- Extreme Climate build-quality meets rigorous IP67 weather ability standards
- 4-Ohm or 70V system operation with integrated transformer with selectable power taps (7.5, 15, 30, 60 Watts)
- Integrated low-voltage lighting allows for use as a path light or general fill light with 3000K color temperature LEDs and separate operation (requires 3rd party Low Voltage transformer)
- Pigtail speaker & lighting leads for custom integration and independent operation
- Aluminum housing with 360-degree grille
- Can be buried up to the mid-point below the grille
- Optional bracket allows surface mounting

### REVEL L12XC LANDSCAPE BURIAL SUBWOOFER

- Bandpass subwoofer system for outdoor burial
- Super –stealth design - only the bass vent canopy is visible
- 12-inch / 305mm durable aluminum cone woofer
- Extreme Climate build-quality underground enclosure meets rigorous IP67 weatherability standards, while the port canopy maintains IP43
- 6-Ohm or 70V system operation with 70V external rock-style transformer with selectable power taps (31.25, 62.5, 125, 250 Watts)
- Composite housing with Aluminum canopy and polymer port tube “stack”

## UNPACKING THE LOUDSPEAKERS

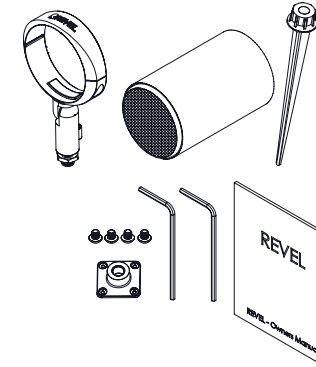
Carefully unpack the loudspeaker. If you suspect damage from transit, report it immediately to your dealer and/or delivery service. Keep the shipping carton and packing materials for future use.

### BOX CONTENTS

Your Revel XC series speaker box should contain the following items per product:

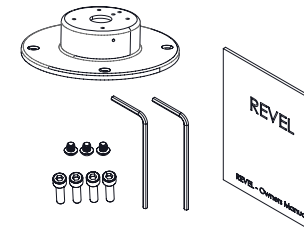
#### L41XC:

- 1 L41XC landscape satellite speaker
- 1 ground stake
- 1 mounting bracket
- 1 universal clamp
- 4 M4 aluminum machine screws
- 2 hex keys
- 1 owner's manual



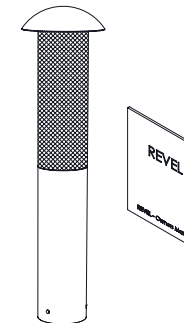
#### L42MXC:

- 1 Mounting bracket
- 4 M5 x 16mm aluminum cap head machine screws
- 3 M5 x 12mm aluminum button head machine screws
- 2 hex keys



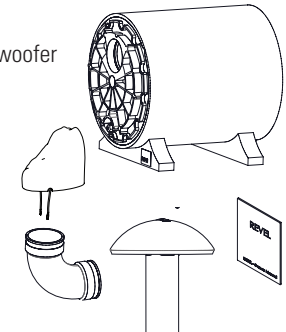
#### L42XC:

- 1 bollard-style speaker
- 1 owner's manual



#### L12XC:

- 1 XC landscape subwoofer
- 1 bass port canopy
- 1 bass port elbow
- 1 rock transformer
- 1 owner's manual



## SPEAKER POSITIONING

Revel XC landscape loudspeakers have been engineered for optimum audio performance and durability; however placement can have a large effect on sound quality. Locate satellite loudspeakers so that they are pointed toward the listening area. Ensure that the mounting system has been installed safely and properly, and that the loudspeakers are not in hazardous positions. With proper planning, placement, and installation, your outdoor loudspeakers will deliver years of quality service.

## SYSTEM DESIGN

All Revel XC series landscape and outdoor monitor speakers are engineered to the same standard of tonal neutrality and accuracy, and may be intermixed in a system. For example L42XC bollard speakers are ideal for placement along walkways or on/near patios to take advantage of their built-in LED lighting. L41XC speakers are perfect for placement in gardens and among shrubbery, while M55XC and M80XC monitor – style models can be surface mounted under eaves, on railings and fence posts.

When planning an outdoor audio system, keep three important factors in mind:

1. The L41 XC and L42XC models are “satellite” style speakers that should always be used with at least one L12XC subwoofer. Depending on spacing and coverage area for your landscape project, use one L12XC subwoofer per three L41XC satellite speakers for optimum performance. Similarly, use one L12XC subwoofer per two L42XC bollard speakers. Design your audio system using L41XC and L42XC main speakers for area coverage, and then add the number of L12XC subwoofers as needed, accordingly.
2. The dispersion angle of the satellite speakers will influence how many speakers you need to adequately cover an area. The L41XC has a dispersion of 70-degrees, while the L42XC’s dispersion is 120-degrees. The closer the speaker is to the listening area, the less area it will cover. It is a good practice to plan out the system with coverage angles in mind, as we have done in Figure 1.
3. As the distance from the speaker to the listener doubles, the sound pressure level drops by 6dB. If a listener hears 76dB sound at 1M from the speakers, a listener 2M from the same speaker will hear 70dB and a listener at 4M will hear 64dB. This rule of thumb will help you plan speaker placement and number of speakers needed to achieve great sound for every area.

# MOUNTING INSTRUCTIONS

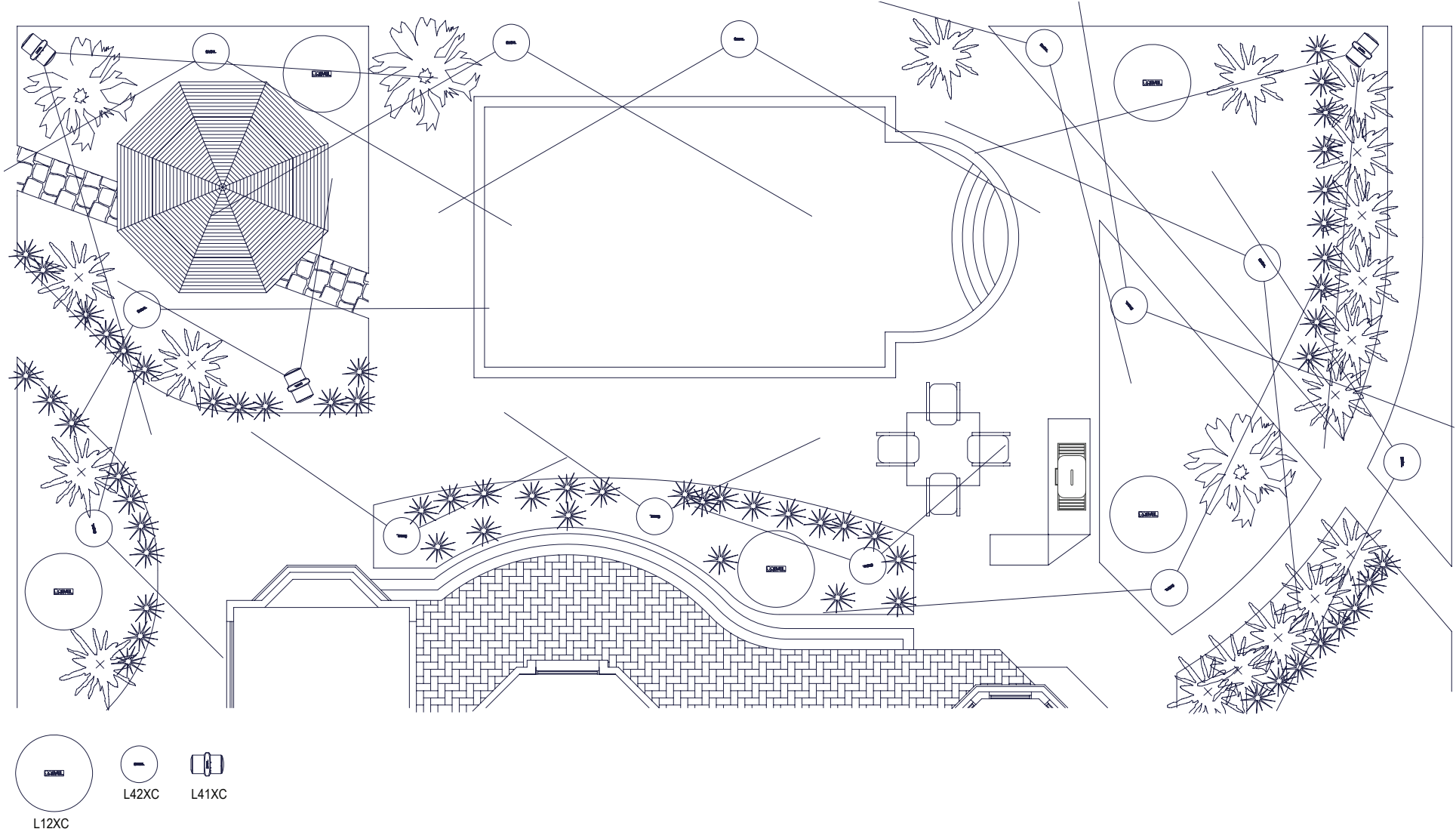


Figure 1



## L41XC SATELLITE SPEAKER

The LC41XC may be mounted to any flat surface with the included mounting bracket or ground mounted with the included ground stake.

### Surface Mounting

1. Use four wood screws (not supplied) to attach the mounting bracket to any wood surface. If mounting to materials other than wood, use screws and anchors (not supplied) that are appropriate for the material (see Figure 2).

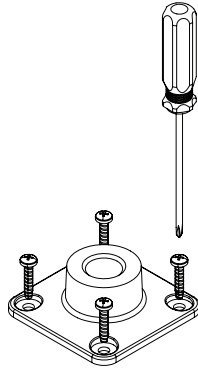


Figure 2

2. Screw the threaded shaft of the clamp/speaker assembly onto the mounting bracket. Once oriented in the in the desired direction, tighten the locking nut with a wrench (not supplied) to lock the position (see Figure 3).

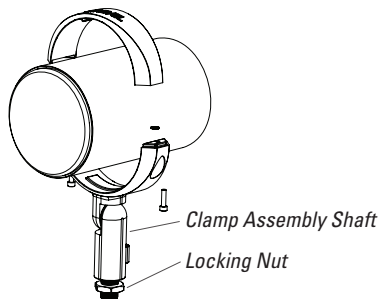


Figure 3

3. If needed to achieve a balanced center of gravity, loosen the clamp screws with the supplied hex key enough to allow the speaker to slide backwards or forwards within the clamp. Position the speaker body to achieve the best balance and stability.

4. Use the supplied hex key to fully tighten the clamp assembly. **DO NOT OVER-TIGHTEN.**
5. Use a Phillips screwdriver (not supplied) to loosen the elevation locking screw (see Figure 4), point the speaker to the desired elevation angle and hand tighten the locking screw. **DO NOT OVER-TIGHTEN.**

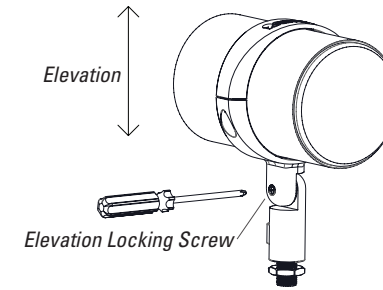


Figure 4

6. Thread the pigtail connecting wire through the wire guide on the clamp assembly shaft as illustrated in Figure 5.

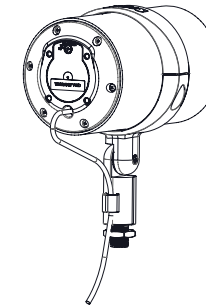
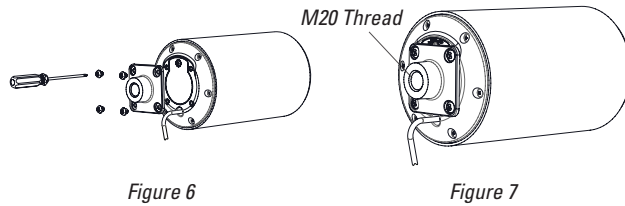


Figure 5

### Alternative Surface Mounting

The L41XC may also be mounted to a third party (not supplied) wall mount bracket or threaded pipe with 17.25mm M20 thread. Attach the Revel mounting bracket directly to the back of the speaker with the four supplied machine screws as shown in Figures 6 and 7.



The speaker and Revel bracket can now be threaded onto any third party bracket that has a 17.25mm M20 thread. The third party bracket must be rated to hold the weight of the L41XC speaker (4.5kg (9.9 lb)). Be sure to securely affix the third party bracket to the mounting surface with materials-appropriate hardware and follow the third party bracket manufacturer's instructions carefully.

### Ground Stake Mounting

1. Press the ground stake into the ground all the way up to the stop.
2. Screw the threaded shaft of the clamp assembly onto the ground stake as shown in Figure 8 and tighten the locking nut with a wrench (not supplied) to lock the position.

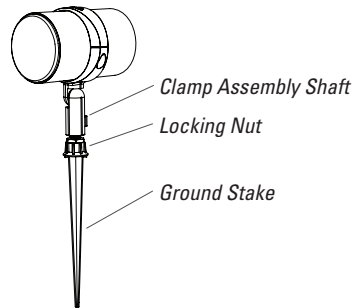


Figure 8

3. If needed to achieve a balanced center of gravity, loosen the clamp screws with the supplied hex key enough to allow the speaker to slide backwards or forwards within the clamp. Position the speaker body to achieve the best balance and stability.

4. Use the supplied hex key to fully tighten the clamp assembly. **DO NOT OVER-TIGHTEN.**
5. Use a Phillips screwdriver (not supplied) to loosen the elevation locking screw (see Figure 9), point the speaker to the desired elevation angle and hand tighten the locking screw. **DO NOT OVER-TIGHTEN.**

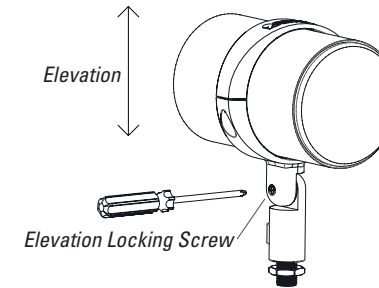


Figure 9

6. Thread the pigtail connecting wire through the wire guide on the clamp assembly shaft as illustrated in Figure 10.

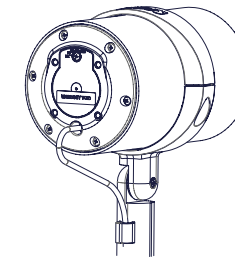


Figure 10

Route and connect the pigtail audio signal and lighting wires (see Wiring Instructions on page 11).

## L42XC BOLLARD-STYLE SATELLITE SPEAKER

### Surface Mounting

The L42XC may be mounted to a horizontal surface with the optional L42MXC mounting bracket base (sold separately).

1. Turn the L42XC upside down with the dome resting on cardboard or foam packing material to protect the dome from scratches.
2. Route the pigtail 4-conductor wire through the central hole in the mounting bracket as shown in Figure 11.

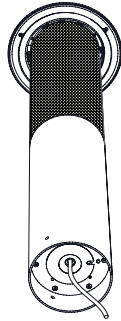


Figure 11

3. Attach the mounting bracket base to the bottom of the speaker with the four supplied M5 x 16mm cap head machine screws.
4. Insert the three M5 x 12mm button head machine screws into the side of the enclosure as shown in Figure 12.

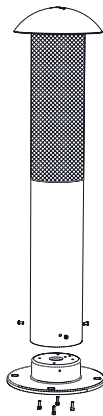


Figure 12

5. Route and connect the pigtail audio signal and lighting wires (see Wiring Instructions on page 11).
6. Secure the L42MXC mounting bracket base to any level horizontal surface with hardware appropriate for the surface material. Orient the mounting bracket base so that the grille side of the speaker faces in the desired direction.

### Partial Burial

1. Dig a hole approximately 50cm (20 inches) deep and 18cm (7 inches) diameter.
2. Line the bottom of the hole with 50mm (2 inches) of small gravel.
3. Insert the L42XC speaker into the hole. Adjust gravel level as needed to achieve the desired height of the speaker above ground level. The bottom of the light hood should be approximately 39-42cm (15.5 – 16.5 inches) above ground level as shown in Figure 13.

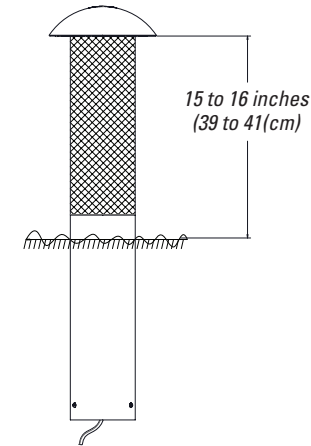


Figure 13

4. Route and connect the pigtail audio signal and lighting wires (see Wiring Instructions on page 11).
5. Use a spirit level to ensure perfect verticality of the speaker. Fill the hole around the speaker with soil, and pack tightly.



## L12XC SUBWOOFER

1. Attach the elbow and port with hood to the subwoofer enclosure as shown in Figure 14.

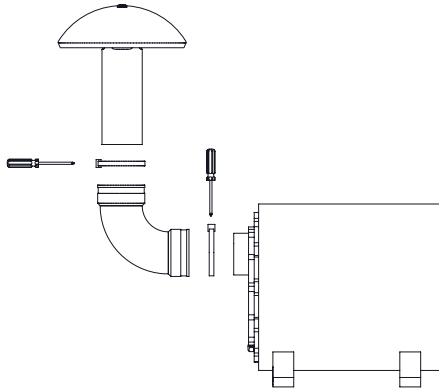


Figure 14

2. Tighten the hose clamps to secure the elbow, port and enclosure together with a flat head screwdriver. Be careful to keep the elbow and port perfectly vertical. It will be useful to have a helper hold the pieces in proper position while tightening the clamps.
3. Dig a hole at least 61cm (24 inches) deep, 56cm (22 inches) wide and 100cm (39 inches) long.
4. Line the bottom of the hole with 50mm (2 inches) of small gravel.
5. Insert the L12XC speaker into the hole. Adjust gravel level as needed to achieve the desired height of the port hood above ground level. The port should protrude approximately 19cm (7.5 inches) from ground level to the bottom of the hood as shown in Figure 15.

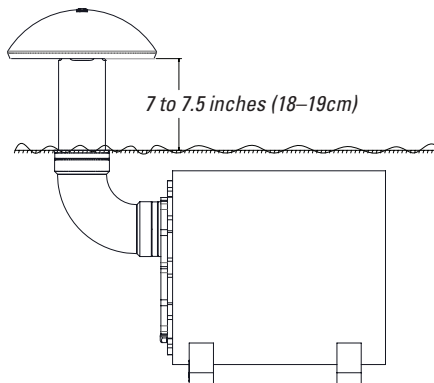


Figure 15

6. Use a spirit level to ensure that the enclosure is level and the port tube is vertical.
7. Route and connect the pigtail signal wire to the amplifier or transformer rock (see Wiring Instructions on page 11).
8. Fill the hole around the speaker with soil, and pack tightly.

## WORKING WITH DISTRIBUTED 70 VOLT LINE SYSTEMS

All Revel XC speaker models covered in this manual may be used as either low impedance loads driven by a conventional HiFi amplifier, or as 70V loads driven by a compatible 70V- capable line voltage amplifier such as the Crown CDi 2|300 or Crown CDi 2|600 Drivecore amplifiers.

**WARNING – Do not connect Revel XC series speakers to 100V amplifier outputs, as the speakers will likely be damaged. Some amplifiers such as Crown CDi models allow the choice of either 70V or 100V output. Always select the 70V option if choosing a lower voltage output.**

A 70V distributed line system has the advantage of allowing many speakers to be run on a single amplifier channel, thereby making system wiring easier. You may connect as many XC speakers as you'd like to one amplifier channel, providing that **all the speaker taps do not add up to more than the amplifier's power rating. Best practice is to limit the total speaker load to 90% of the amplifier's power rating.**

70V systems also allow the relative volume of each speaker to be set to different levels depending on proximity of the listener and ambient noise levels. For example, you may want speakers near a pool to play louder than the speakers near a conversation nook. Turning a screw on the speaker can easily change the relative volume level of each speaker.

The best way to configure 70V systems is to feed one channel of the amplifier with a monophonic signal from the system preamp or processor, and power all satellite speakers off of that channel. Stereo is often not a benefit outdoors where there is seldom a defined listening area, as there is with indoor listening. Feed a subwoofer output from the preamp or processor to the other channel of the amplifier and run the subwoofer(s) on that line.

A typical system may be configured like Figure 16 with the L41XC speakers arrayed in garden areas near the patio and the L42XC speakers lining a walkway.

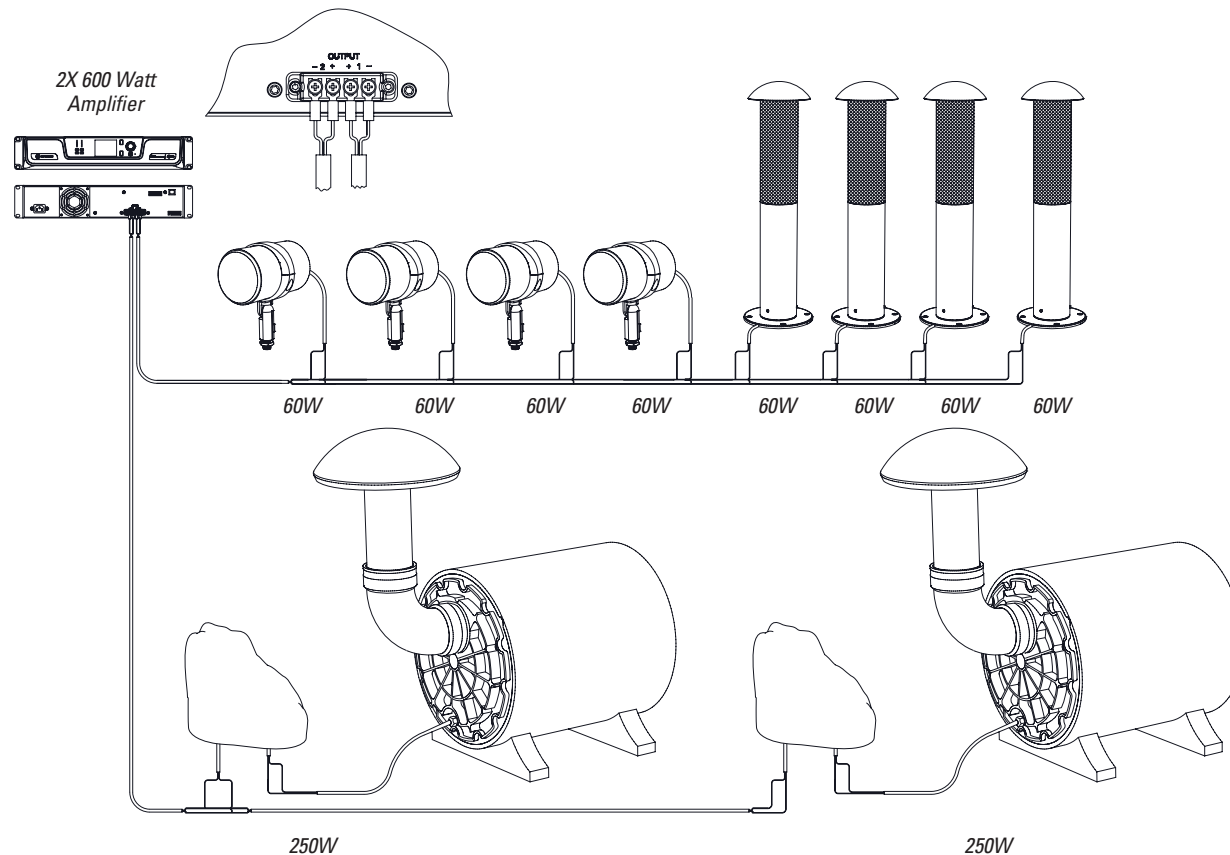


Figure 16

## WIRING INSTRUCTIONS

### IMPORTANCE OF CORRECT POLARITY (“IN-PHASE/OUT-OF-PHASE”)

Be sure to wire all speakers to the amplifier in correct polarity – the (+) speaker output terminal of the amplifier wired to the (+) input pigtail wire of the loudspeaker, and the (-) speaker output terminal of the amplifier wired to the (-) pigtail wire of the speaker (see Figure 17). When two loudspeakers are wired with opposite polarity relative to each other (“out-of-phase”), the low frequencies of the loudspeakers cancel each other, even though the speakers are “working hard.” Trying to correct the lack of bass with an equalizer can damage your loudspeakers – **equalization cannot correct polarity errors**. Always make sure all speakers are connected in proper polarity.

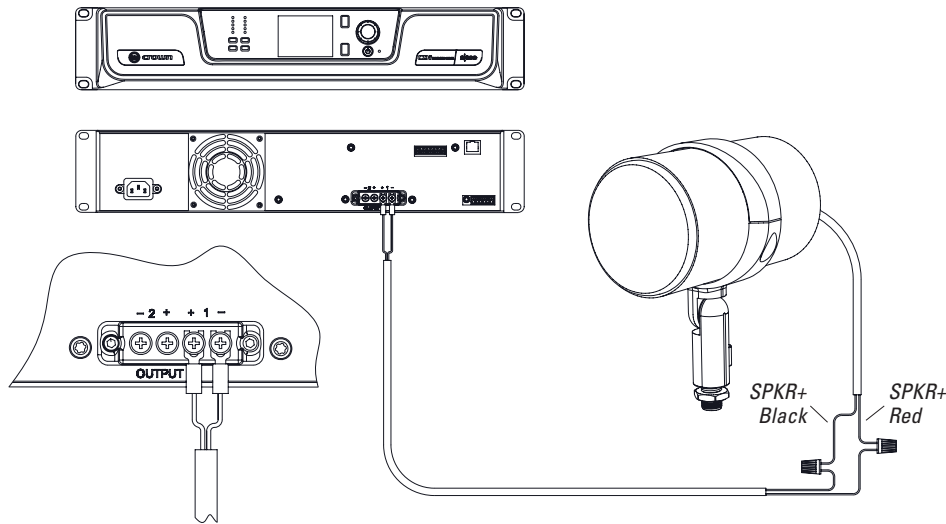


Figure 17

### SPEAKER CABLE GAUGE CHOICE

For best performance be sure to use the proper gauge speaker cable. The longer the distance between amplifier and speaker, the thicker the cable needs to be. The lower the number of the gauge rating (AWG), the thicker the cable is. For guidance, visit [http://www.crownaudio.com/en/tools/calculators#line\\_loss](http://www.crownaudio.com/en/tools/calculators#line_loss).

## L41XC SATELLITE SPEAKER

### Low Impedance (Bypass) Mode

1. Route signal wires from the amplifier to the speakers. Use “direct burial” rated cables or route wires through conduit.
2. Connect the red (+) speaker input pigtail wire to the (+) wire from the amplifier output, and the black (-) speaker input pigtail wire to the (-) wire from the amplifier (see Figure 18). Use crimp connectors or wire nuts to make a secure connection. For greater reliability make the connection inside an underground IP65 waterproof electrical junction box.

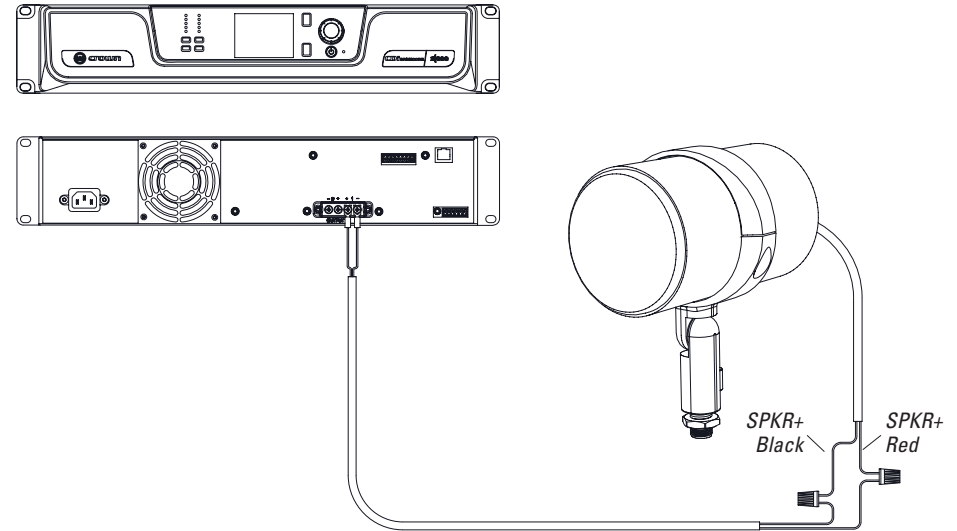


Figure 18

3. The L41XC speaker ships with the transformer set to 60W and **must be re-set to BYPASS**. Use a Phillips head screwdriver to remove the protective Phillips screw as shown in Figure 19.

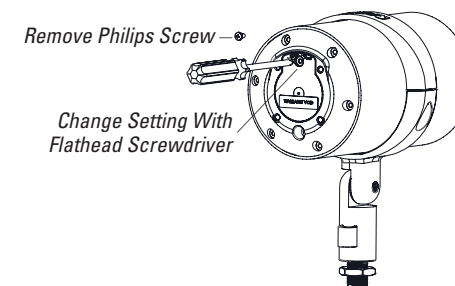


Figure 19



- Use a flathead screwdriver to change the transformer tap to BYPASS as shown in Figure 20.

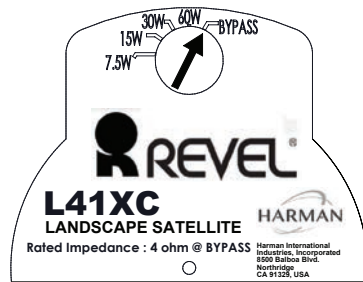


Figure 20

- Replace the protective Philips screw to minimize chances of tampering with the setting.

**Each L41XC is 4 Ohms. If you want to run two speakers per amplifier channel you must use an amplifier that can safely drive a 2-Ohm load; most residential HiFi amplifiers and receivers cannot. If you're in doubt, then do not connect more than one speaker per amplifier channel when using Low Impedance (Bypass) Mode.** Always check the amplifier's specifications before using more than one L41XC speaker per channel. We recommend Crown CDi 2|300 or CDi 2|600 Drivecore amplifiers which are rated for 2-Ohm operation. **Never connect three or more 4-Ohm speakers in parallel to any amplifier when using Low Impedance mode.**

## 70 Distributed Mode

- Route signal wires from the amplifier to the speakers. Use "direct burial" rated cables or route wires through conduit
- Connect the red (+) speaker input pigtail wire to the (+) wire from the amplifier speaker output, and the black (-) speaker input pigtail wire to the (-) wire from the amplifier (see Figure 21). Use crimp connectors or wire nuts for the connection. For greater reliability make the connection inside an underground IP65 waterproof electrical junction box.

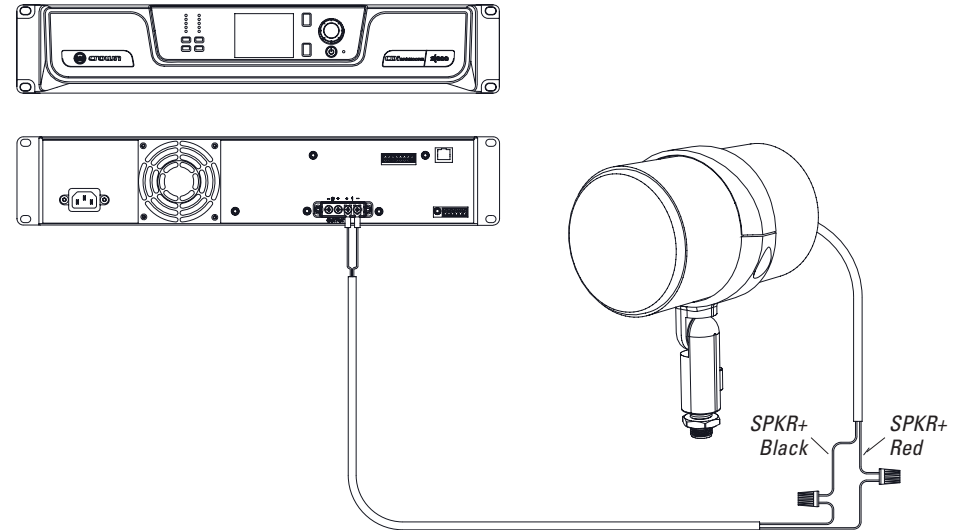


Figure 21

- The L41XC speaker ships with the transformer set to 60W. If you want to use a lower power setting use a Philips head screwdriver to remove the protective Philips screw as shown in Figure 22.

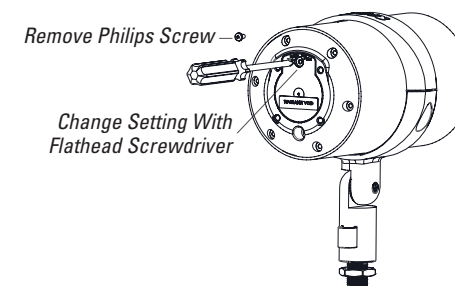


Figure 22

4. Use a flathead screwdriver to change the transformer tap to the desired power level as shown in Figure 23.

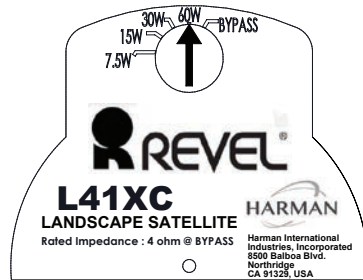


Figure 23

5. Replace the protective Philips screw to minimize chances of tampering with the setting.

You may connect as many XC speakers as you'd like to one amplifier channel providing that all the speaker taps do not add up to more than the amplifier's power rating. For example, if each L42XC speaker is set to 60 Watts, the maximum number of speakers you can run on a 300W amplifier channel is five. **Best practice is to limit the total speaker load to 90% of the amplifier's power rating.**

## L42XC BOLLARD SATELLITE SPEAKER

### Connecting the Built-in Lighting

Each L42XC is equipped with a dimmable low voltage LED driver and LED ring lighting assembly to provide illumination near walkways and any other area. The green and white wires in the pigtail should be connected to the 12-15V AC or DC wiring of the lighting system (see Figure 24). The LED driver accepts Magnetic Low Voltage (MLV) or Electronic Low Voltage (ELV) AC transformer with or without suitable dimmer. Each L42XC LED system consumes around 1W at maximum dim and 3.5W at minimum. Minimum power load required by the transformer as well as the dimmer should be met to avoid flickering. Consult the lighting system manufacturer for more information of wiring and controlling low voltage lighting systems.

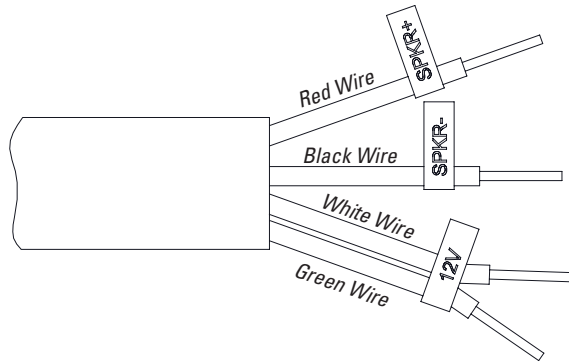


Figure 24

### Low Impedance (Bypass) Mode

1. Route signal wires from the amplifier to the speakers. Use "direct burial" rated cables or route wires through conduit
2. Connect the red (+) speaker input pigtail wire to the (+) wire from the amplifier output, and the black (-) speaker input pigtail wire to the (-) wire from the amplifier (see Figure 25). Use crimp connectors or wire nuts for the connection. For greater reliability make the connection inside an underground IP65 waterproof electrical junction box.

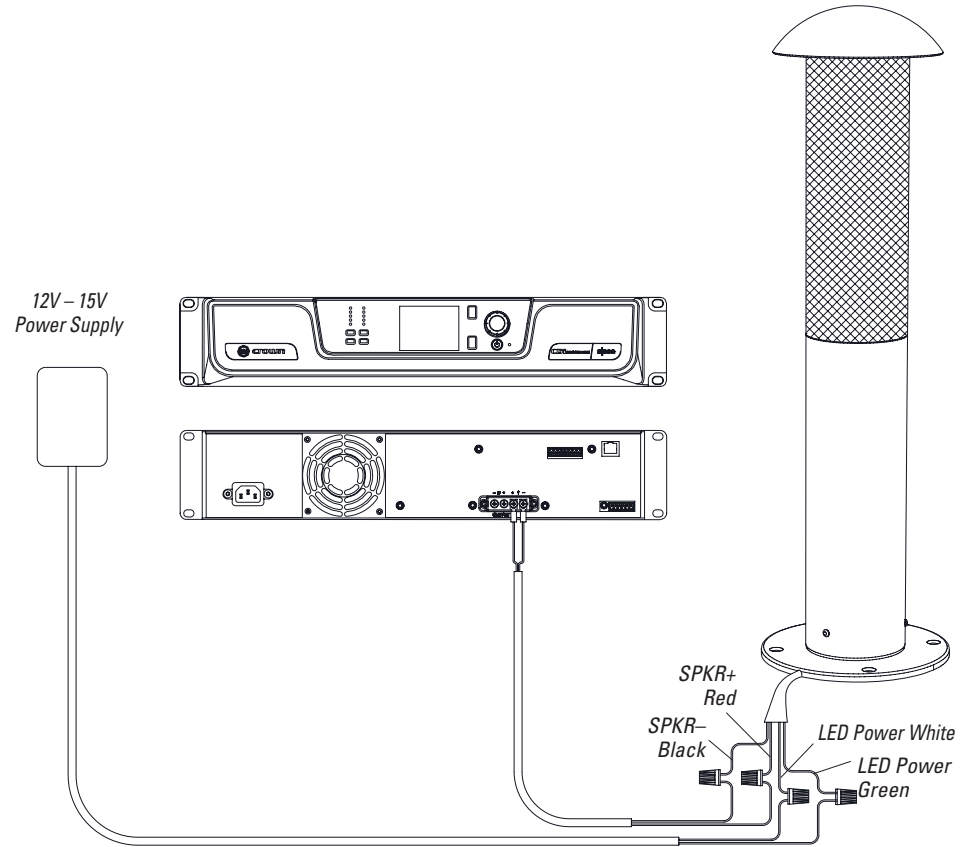


Figure 25

- The L42XC speaker ships with the transformer set to 60W and **must be re-set to BYPASS**. Use a Philips head screwdriver to remove the protective Philips screw as shown in Figure 26.

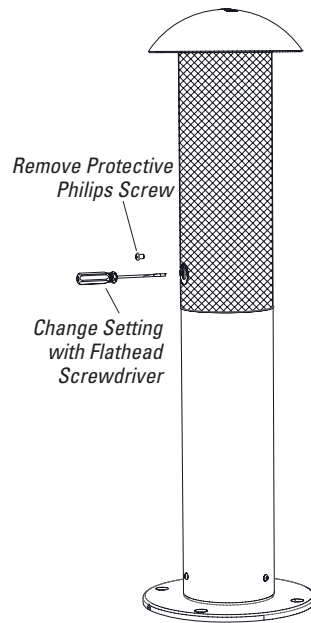


Figure 26

- Use a flathead screwdriver to change the transformer tap to BYPASS as shown in Figure 27.

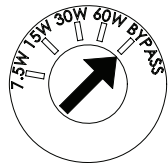


Figure 27

- Replace the protective Philips screw to minimize chances of tampering with the setting.

**Each L42XC is 4 Ohms. If you want to run two speakers per amplifier channel you must use an amplifier that can safely drive a 2-Ohm load;** most residential HiFi amplifiers and receivers cannot. **If you're in doubt, then do not connect more than one speaker per amplifier channel when using Low Impedance (Bypass) Mode.** Always check the amplifier's specifications before using more than one L42XC speaker per channel. We recommend Crown CDI 2|300 CDI or Crown CDI 2|600 Drivecore amplifiers which are rated for 2-Ohm operation. **Never connect three or more 4-Ohm speakers in parallel to any amplifier.**

### 70V Distributed Mode

- Route signal wires from the amplifier to the speakers. Use "direct burial" rated cables or route wires through conduit.
- Connect the red (+) speaker input pigtail wire to the (+) wire from the amplifier output, and the black (-) speaker input pigtail wire to the (-) wire from the amplifier (see Figure 28). Use crimp connectors or wire nuts to make a secure connection. For greater reliability make the connection inside an underground IP65 waterproof electrical junction box.

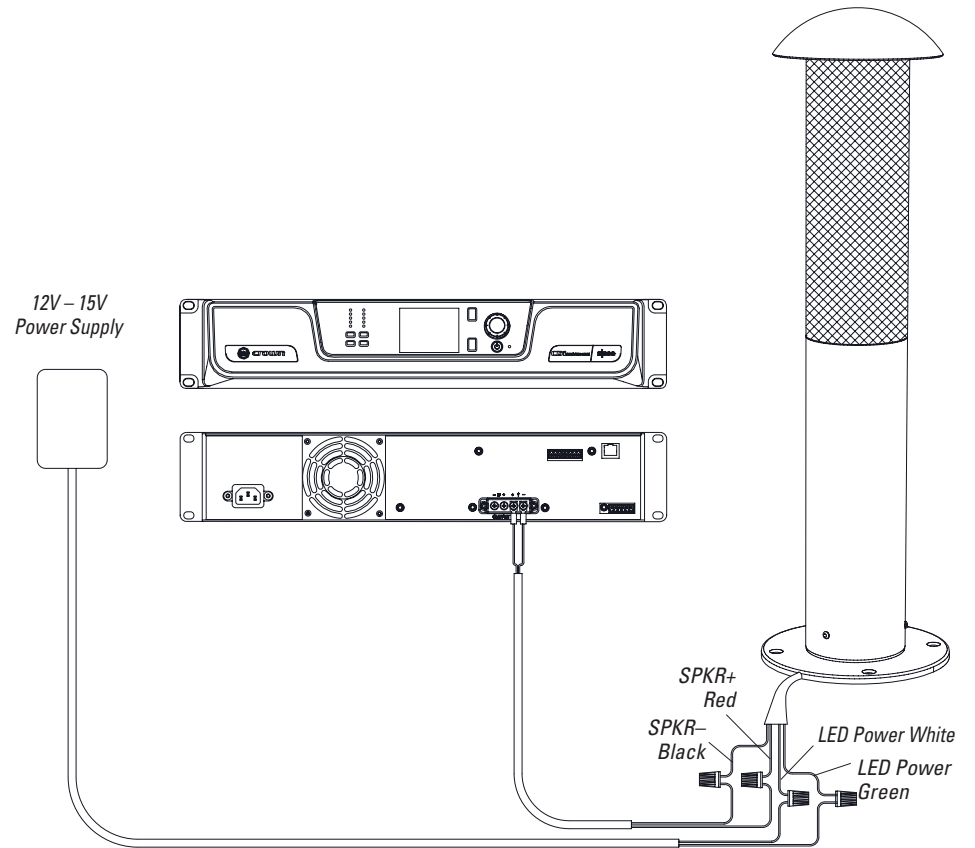


Figure 28

3. The L41XC speaker ships with the transformer set to 60W. If you want to use a lower power setting use a Philips head screwdriver to remove the protective Philips screw as shown in Figure 29.

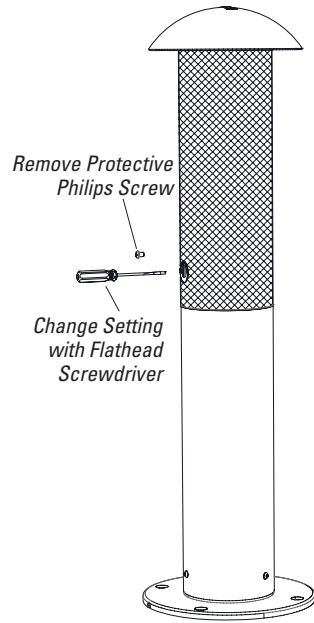


Figure 29

4. Use a flathead screwdriver to change the transformer tap to the desired power level as shown in Figure 30.

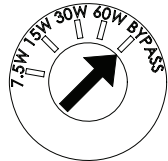


Figure 30

5. Replace the protective Philips screw to minimize chances of tampering with the setting.

You may connect in parallel as many speakers to a single amplifier channel as you want but the total wattage of all the speakers should not exceed the power rating of the amplifier. For example, if each L42XC speaker is set to 60 Watts, the maximum number of speakers you can run on a 300W amplifier channel is five. **Best practice is to limit the total speaker load to 90% of the amplifier's power rating.**



## L12XC SUBWOOFER

### Low Impedance Mode

With this mode, the rock-style transformer that is packed with the subwoofer is not needed at all.

**Do not connect more than one L12XC 6-Ohm subwoofer per amplifier channel when using Low Impedance Mode.**

1. Route signal wires from the amplifier to the speakers. Use "direct burial" rated cables or route wires through conduit.
2. Connect the yellow (+) subwoofer pigtail input wire to the (+) wire from the amplifier output, and the gray (-) subwoofer pigtail input wire to the (-) wire from the amplifier output (see Figure 31). Use crimp connectors or wire nuts for the connection. For greater reliability, make the connection inside an underground IP65 waterproof electrical junction box (not included).

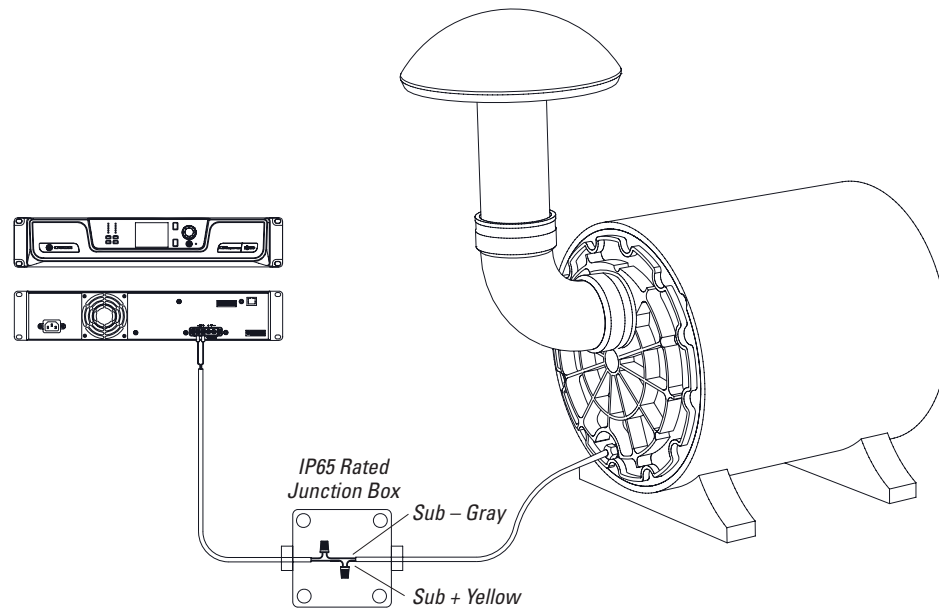


Figure 31

### 70V distributed mode

1. Route signal wires from the amplifier to the speakers. Use "direct burial" rated cables or route wires through conduit.
2. Position the rock style transformer (Figure 32) on the ground close enough to the subwoofer for pigtail to reach.

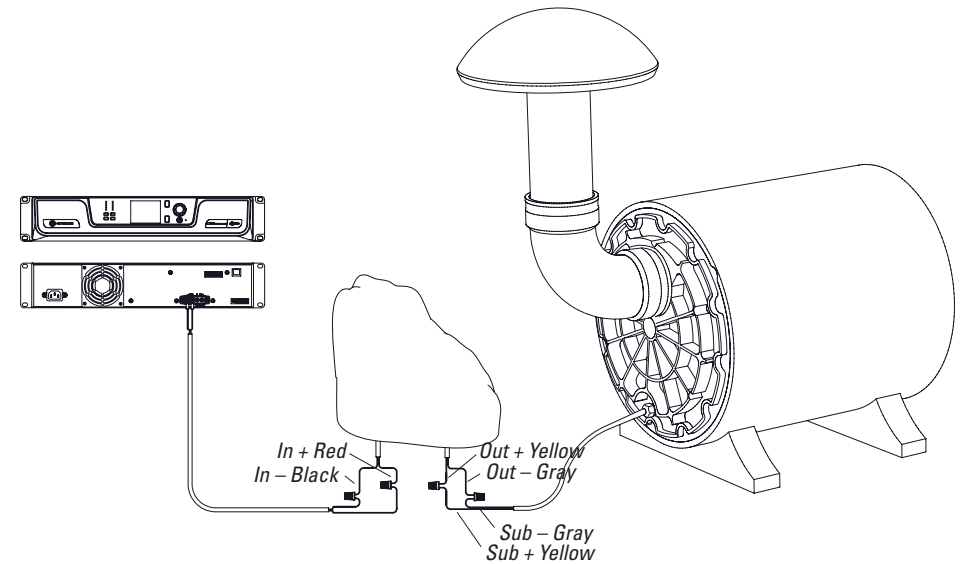


Figure 32

3. Connect the yellow (+) pigtail wire from the subwoofer to the yellow (+) wire and connect the gray (-) pigtail wire to the gray (-) wire in the wire pair labeled "Output." Use crimp connectors or the supplied wire nuts for the connection.
4. Connect the (+) wire from the amplifier output to the red (+) wire and connect the (-) wire from the amplifier to the black (-) wire in the wire pair labeled "Input." Use crimp connectors or the supplied wire nuts for the connection.

- The L12XC speaker ships with the transformer set to 250W. If you want to use a lower power setting, use a Philips head screwdriver to remove the protective Philips screw as shown in Figure 32.

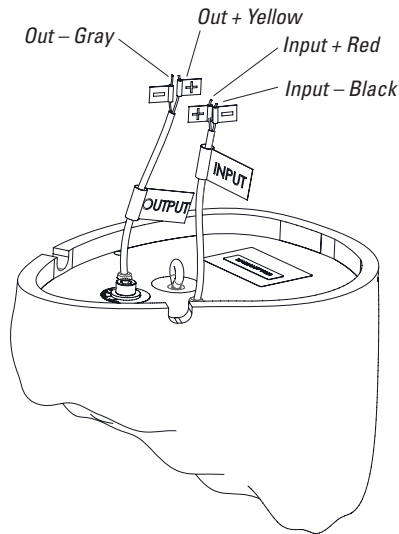


Figure 32

- Use a flathead screwdriver to change the transformer tap to the desired power level as shown in Figure 33.

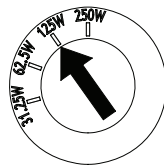


Figure 33

- Replace the protective Philips screw to minimize chances of tampering with the setting.

You may connect in parallel as many speakers to a single amplifier channel as you want but the total wattage of all the speakers should not exceed the power rating of the amplifier. For example, if you are running two L12XC subwoofers on a single 300W amplifier channel set each subwoofer no higher than 125W. **Best practice is to limit the total speaker load to 90% of the amplifier's power rating.**

## PAINTING THE SPEAKERS

Painting the speakers is not recommended because paint could block or enter the product through the grille or port canopy, and come in contact with the speaker drivers or other sensitive internal parts. Paint-clogged grilles will seriously degrade the sound quality of the speakers. **Harman does not support painting the product, and we are not responsible for damage caused by painting your speakers.**

Clean the enclosures with a light solvent such as mineral spirits by rubbing the components with a lightly dampened cloth. Do not, however, use abrasives such as sandpaper or steel wool on the enclosures; nor should you use gasoline, kerosene, acetone, MEK, paint thinner, harsh detergents or, other chemicals. Use of these cleaners may result in permanent damage to the enclosures.

If you choose to paint your speakers at your own risk, please be careful to ensure that you only paint only the chassis, and do not paint near the grille or port canopy. After cleaning, apply two or more thin coats of either latex or oil-based paints to the chassis by rolling, brushing, or spraying. Latex paints will adhere better if an oil-based primer is used first.

## CARE AND MAINTENANCE

Revel XC Series landscape speakers have been designed and manufactured for durability and reliable service. As with any fine product, proper maintenance and care will extend the life of the system.

You can expect your system components to perform indefinitely if you use them within their stated limits for power handling, and see that they are not abused.

Always protect the loudspeakers from over-excursion caused by strong subsonic signals (signals below 30Hz). If your amplifier has a "low cut" or "high pass" switch, engage it.

Revel XC landscape loudspeakers are durable enough to withstand direct exposure to the elements and therefore may become dirty after some time outdoors. They can be rinsed clean with a low-pressure water stream from a garden hose or spray bottle and then dried with a soft cloth. Be sure not the spray under the port canopy of the L12XC Subwoofer. Do not use a pressure washer or any high-pressure water streams directly on the front of the loudspeaker, as the drivers could become damaged, rendering the product inoperable.

## SPECIFICATIONS

FEATURE	L41XC	L42XC	L12XC
Low Frequency Driver Size and Material	4" Micro Micro Ceramic Composite (MCC) Aluminum Cone Woofer	Two, 4" Micro Ceramic Composite (MCC) Aluminum Cone Woofers	12" Anodized Aluminum Cone Subwoofer
High Frequency Driver Size and Material	0.75" Micro Ceramic Composite (MCC) Aluminum Dome Tweeter	1" Micro Ceramic Composite (MCC) Aluminum Dome Tweeter	N/A
Recommended Amplifier Power	60W Max	60W Max	250W Max
70V Transformer taps	7.5W, 15W, 30W, 60W	7.5W, 15W, 30W, 60W	31.75W, 62.5W, 125W, 250W
Voltage	70V	70V	70V
Rated Impedance	4 Ohm in Bypass mode	4 Ohm in Bypass mode	6 Ohm without transformer
Loudspeaker Sensitivity	83dB (2.83V @ 1M) in Bypass mode	86dB (2.83V @ 1M) in Bypass mode	86dB (2.83V @ 1M) without transformer
Frequency Response	100Hz-20kHz @-3db	80Hz-20kHz @-3dB	25Hz-100Hz @-3db
Crossover Frequency	5.5kHz	2.9kHz	N/A
Dimension Details	23.3cm (9.2") speaker body length, 13.2cm (5.2") speaker body diameter, 28.5cm (11.3") height with clamp and base, 59cm (23.2") height with clamp and spike	13.2cm (5.2") speaker body diameter, 21.8cm (8.58") hood diameter, 25cm (9.8") mounting base diameter, 85.5cm (33.7") height with base; MXC Mounting Bracket (Sold Separately) Length 25cm (9.8") x Width 25cm (9.8") x Height 5.8cm (2.3")	53.3cm (20.77") enclosure length, 88.7cm (35") total length including enclosure, elbow, port and hood, 45.5cm (18") enclosure diameter, 50cm (19.7") enclosure height with feet, 87.8cm total height including enclosure, port and hood
Dimension Totals	Length 23.3cm (9.2") x Width 16.4cm (6.5") x Height 28.5cm (11.3")	Length 21.8cm (8.58") x Width 21.8cm (8.58") x Height 85.5cm (33.7")	Length 88.7cm (35") x Width 45.5cm (18") x Height 87.8cm (34.6")
Weight	Speaker and clamp assembly - 4.5kg (9.9 lb)	Speaker – 9.4kg (20.7 lb); MXC Mounting Bracket (Sold Separately) 1kg (2.2lbs)	Speaker and port assembly - 30.1kg (66.4 lb) Rock Transformer – 3.7kg (8.2 lb)



## L42XC LED ELECTRICAL SPECIFICATIONS

### LED PCB ASSY

Fixture Type	Custom weatherproof epoxy sealed ring
Light Source	LED
Number of LED	16 (2 rows of 8 LED's series)
Watts	~3.5W
Light Output	130 (lumen)
Light Direction	Down Lighting
Color Temperature (CCT)	3000K
Color Rendering Index (CRI)	80
Lifespan	100000hrs
Total Forward Voltage on LED String	24VDC

### LED DRIVER ASSY.

Input Voltage (AC)	12-15 +/-10%
Input Voltage (DC)	8-24 +/-10%
Input Current	500mA
Watts	3.5W
Dimming Capability	Yes
Type	Constant Current
Output Channels	2
Output Current	50mA/Channel
Switching Frequency	2.2MHz
Switcher Type	SEPIC
Dimming	Dimmable (MLV, ELV and Universal Dimmer Compatible)
Operating Temperature	-40 – 125C
Safety Protection	Inrush Current Protection, ESD Input Voltage OVP, UVLO, and OCP Open and Shorted LED Fault Detection Thermal Shutdown

## LIMITED WARRANTY

Revel loudspeakers are warranted against defects. The duration of a warranty depends on the laws in the country in which it was purchased. Your local Revel retailer can help you determine the duration and coverage of your warranty.

For more information please visit: [REVELSPEAKERS.COM](https://REVELSPEAKERS.COM)

Please visit [REVELSPEAKERS.COM](https://REVELSPEAKERS.COM) for additional language support on the user manual.

Veillez visiter [REVELSPEAKERS.COM](https://REVELSPEAKERS.COM) pour obtenir le mode d'emploi en d'autres langues.

Para obter o manual do usuário em outros idiomas, acesse [REVELSPEAKERS.COM](https://REVELSPEAKERS.COM)

Ga naar [REVELSPEAKERS.COM](https://REVELSPEAKERS.COM) voor de handleiding in andere talen.

Gå til [REVELSPEAKERS.COM](https://REVELSPEAKERS.COM) for bruksanvisning på flere språk.

Если вам требуется дополнительные версии руководства пользователя на других языках, посетите сайт [REVELSPEAKERS.COM](https://REVELSPEAKERS.COM).

別の言語に対応したユーザーマニュアルを読むには、[REVELSPEAKERS.COM](https://REVELSPEAKERS.COM)にアクセスしてください。

사용자 설명서에 대한 추가 언어 지원은 [REVELSPEAKERS.COM](https://REVELSPEAKERS.COM)에서 확인하십시오

请访问 [REVELSPEAKERS.COM](https://REVELSPEAKERS.COM) 以获取其他语言版本的用户手册。

Visita [REVELSPEAKERS.COM](https://REVELSPEAKERS.COM) para obtener el manual de usuario de soporte en idiomas adicionales.

Weitere Sprachfassungen der Bedienungsanleitung findest Du unter [REVELSPEAKERS.COM](https://REVELSPEAKERS.COM).

Si prega di visitare [REVELSPEAKERS.COM](https://REVELSPEAKERS.COM) per i manuali di istruzioni in altre lingue.

Jos tarvitset ylimääräistä kieleen liittyvää tukea käyttöohjeesta, käy osoitteessa [REVELSPEAKERS.COM](https://REVELSPEAKERS.COM).

Gå ind på [REVELSPEAKERS.COM](https://REVELSPEAKERS.COM) for at se betjeningsvejledningen på flere sprog.

Gå till [REVELSPEAKERS.COM](https://REVELSPEAKERS.COM) för mer information om språk i användarmanualen.

产品中有害物质的名称及含量

部件名称	目标部件	有害物质或元素					
		铅(Pb)	汞(Hg)	镉(Cd)	六价铬(Cr(VI))	多溴联苯(PBB)	多溴二苯醚(PBDE)
电路板	印刷电路板，电路板上的电子零件（不包括特定电子零件），内部相关连接线	X	0	0	0	0	0
箱体	外壳，面板，背板等	X	0	0	0	0	0
特定电子零部件	变压器，保险丝，大型电解电容，电源插座	X	0	0	0	0	0
附件	电线，说明书，包装等	X	0	0	0	0	0

本表格依据SJ/T 11364的规定编制

○：表示该有害物质在该部件所有均质材料中的含量均在GB/T 26572 规定的限量要求以下。

X：表示该有害物质至少在该部件的某一均质材料中的含量超出GB/T 26572规定的限量要求。



在中华人民共和国境内销售的电子电气产品上将印有“环保使用期” (EPuP) 符号。圆圈中的数字代表产品的正常环保使用年限。



HARMAN International, Incorporated  
8500 Balboa Boulevard, Northridge, CA 91329 USA

© 2017 HARMAN International, Incorporated. All rights reserved.

Revel and the Revel logo are trademarks of HARMAN International Industries, Incorporated, registered in the United States and/or other countries.

Features, specifications and appearance are subject to change without notice.

For questions, assistance or additional information concerning any of our products, call us at: (516) 594-0300 or (888) 691-4171. For technical support, submit your detailed inquiry

CE Part No. 950-0548-001



www.revelspeakers.com