



**AVAILABLE AT  
DIGITAL CINEMA**

# DC & DW SERIES

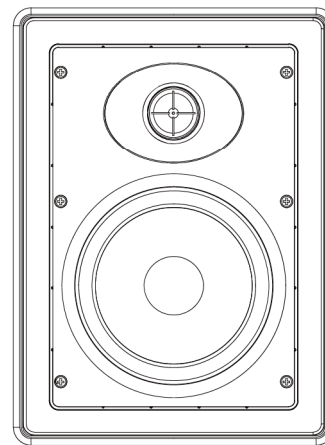
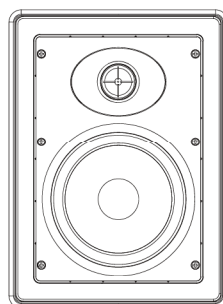
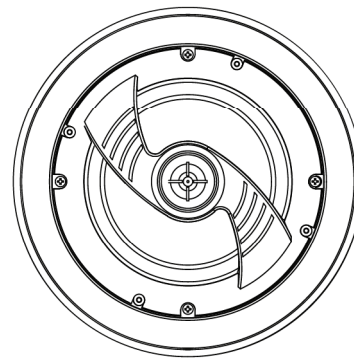
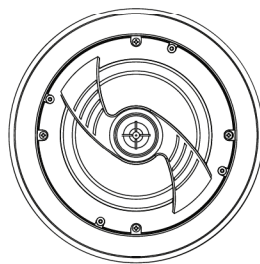
IN-WALL AND IN CEILING LOUDSPEAKERS

**DC-6**

**DC-8**

**DW-6**

**DW-8**



***Wharfedale***  
**BRITAIN'S MOST FAMOUS LOUDSPEAKERS**

**User's Manual**





## USER INSTRUCTIONS: DC & DW Series

---

### Safety instructions

#### Safety First!

- Please read this manual fully before installing and operating this product.
- Retain a copy of this manual for future reference.
- Comply with all warning labels and instructions.
- Do not attempt the installation of this equipment unless you are qualified to do so.
- Protect your hearing from high sound pressure levels.

### Rigging and Suspension

The rigging, suspension or mounting of these products can expose the installer and members of the public to serious health risks and even death. Under no circumstances attempt to rig, suspend or otherwise mount this equipment unless you are fully qualified and certified to do so by relevant local, state and national authorities. All relevant safety regulations must be followed. If you are not properly qualified or do not know of pertinent regulations, consult qualified personnel for advice and assistance.

### Limited Liability

Wharfedale assumes no liability whatsoever for any damage or loss, either direct or consequential arising from the installation and use of these products. Liability is limited to replacement of product or refund, at Wharfedale's discretion. Your rights to compensation may vary by territory; consult with your local Wharfedale office or distributor.

### Warranty & Service

These products are designed to be used as specified, and are warranted to be free from defects in materials or workmanship. Warranty terms and conditions vary by territory. Please contact your local Wharfedale sales office or distributor for complete details. Under no circumstances should you attempt to repair these products. Doing so may limit or void warranty coverage.





## USER INSTRUCTIONS: DC & DW Series

### Introduction

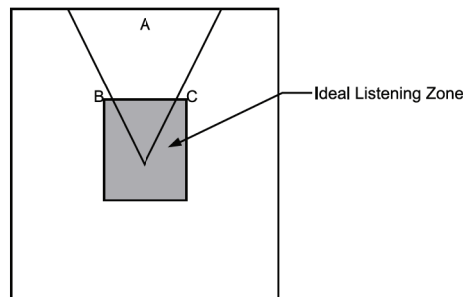
The Wharfedale DC and DW Series are two-way high performance in-ceiling and in-wall mounted speaker systems for home and public areas. All speakers are combine premium drive units, discrete ABS front baffles and attractive magnetic metal grilles which can be sprayed to fit in seamlessly with your environment. Follow these instructions carefully for installation and when properly installed you can enjoy the speakers with highest quality sound for many years.

### Speaker Placement

To get the most from your loudspeakers, please view our recommendations for the most efficient configuration of your DC & DW Series speakers

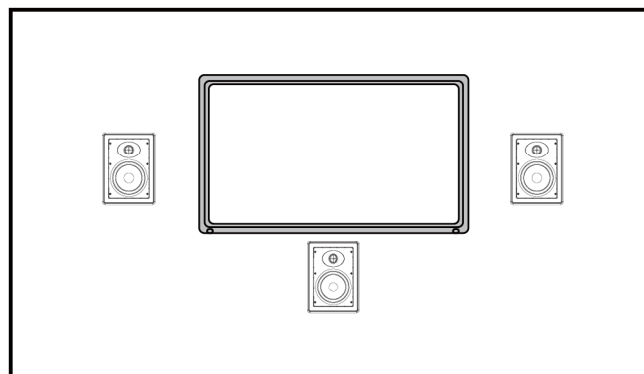
### DW In-Wall Stereo Configuration

The best positioning of your in-wall speakers is around ear level – For standing we would recommend around 50” / 127cm and for seating around 40” / 102cm. The distance from the listener to the speakers and the distance between the two speakers should make an equilateral triangle and should be the same distance apart.



### DW In-Wall Home Theatre Configuration

When using with a flat screen TV or projector, the left and right speakers should line up centrally with the screen where possible. Depending on available space and the height of your TV the speaker can go above or below, however try to keep the speaker as near to the height of the stereo speakers where possible.

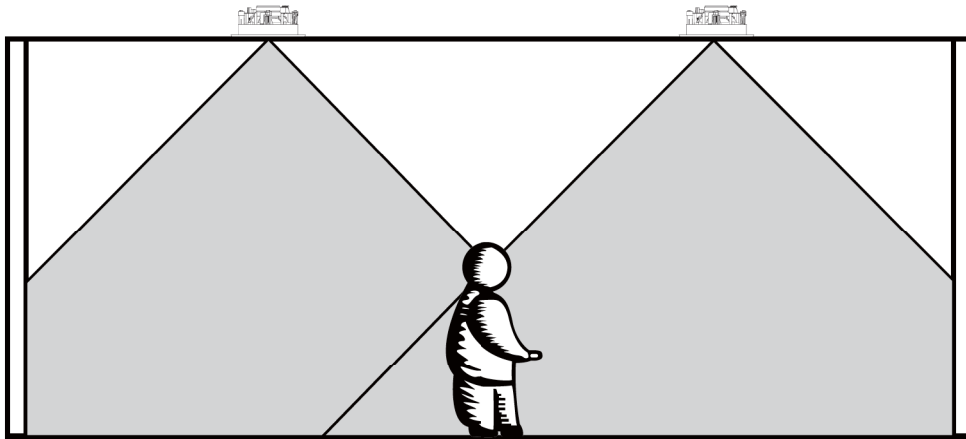




## USER INSTRUCTIONS: DC & DW Series

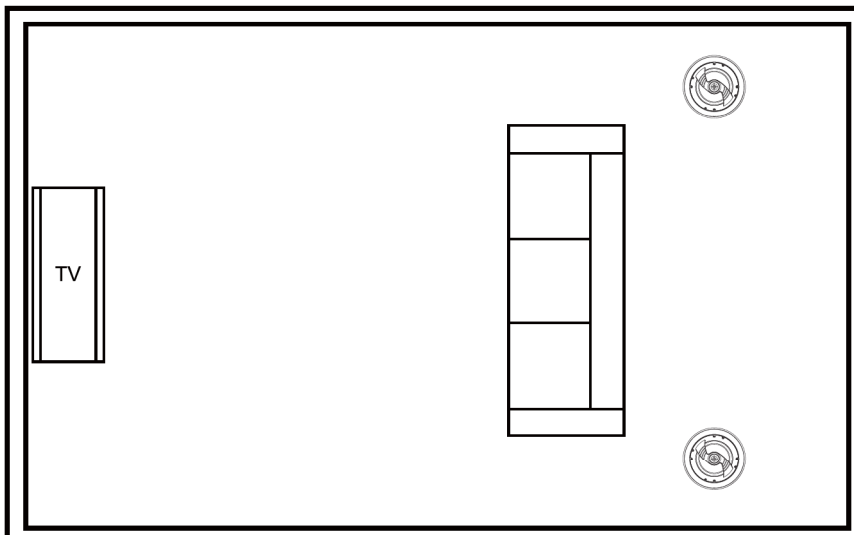
### DC In-Ceiling Stereo Configuration

When using the DC Series speakers, separate them roughly 6 – 10ft (1.8m – 3m) apart. Where possible try to position the speakers the same distance away from the listening position for best results.



### DC In-Ceiling Home Cinema Configuration

The in ceiling speakers can also be used as surround sound speakers. When installing the speakers in the ceiling, position the speakers from 3 – 6ft (1- 1.8m) behind the listening position and separate them roughly 6 – 10ft (1.8m – 3m) apart.





## USER INSTRUCTIONS: DC & DW Series

### Installation

- Check the desired ceiling / Wall area for safety and that is suitably hollow (you can check by tapping, and if a 'hollow sound' is heard).
- Trace around the cardboard template for speaker placement. Use a pencil in case the location has to be changed.
- Find the centre of the outline and drill a hole.
- Use a bent coat hanger wire inserted into the drilled hole to check the area is safe and free from any obstructions. Do this by bending a right angle with the coat hanger and slowly rotating when in the hole. If there are any obstructions the speaker will have to be relocated.
- Use a drywall saw to carefully cut the outlined area and remove the cutout.
- Run cable from your amplifier through the hole of the cut out. You should allow an extra few metres of cable to reach outside of the cutout. This gives you extra room to make the connections and not to put pressure on any parts of the speaker or amplifier.
- The speaker will perform better if the wall cavity has some insulation. We recommend use of some fiberglass to do so. Put the fiberglass sheet behind and around the speaker.
- Pull the cable through the hole and once the cable is stripped back, connect the positive wire from the amplifier to the red terminal on the speaker. Warning: Make sure the amplifier is turned off while connecting to the speakers.
- With the magnetic grille removed, push the speaker into the cavity in the ceiling or wall. Do so by pushing one side in first, then following with the other side so the speaker is flush with the ceiling.
- Tighten the screws so the speaker is secure in the ceiling. If you are using a drill, use a low torque setting to ensure the screws are not over-tightened.
- Replace the magnetic grille
- The speaker grilles can also be painted if desired. We would advise to use paint lightly and use roughly 5 parts thinning agent to 1 part paint. Too much paint can cause an obstruction to the holes in the grille and affect the speaker sound quality.
- Both the DC & DW Series utilise an adjustable tweeter for efficient direction of the high frequencies. Depending on varying acoustic conditions and if the recommended positioning is unachievable the HF can be angled to compensate for this. On the DW Series the HF can be angled up or down and on the DC Series the HF can be pointed at any 360° angle. When adjusting be sure to put pressure on the outer rim of the tweeter and not damage the dome. Please refer to your installer or Wharfedale sales representative for further information on adapting the loudspeaker to your environment.





## USER INSTRUCTIONS: DC & DW Series

### Specifications

	<b>DC-6</b>	<b>DC-8</b>
System Description	In-Ceiling 2-Way	In-Ceiling 2-way
Nominal Impedance	8 Ohms	8 Ohms
Power (RMS / Peak)	20W / 40W	30W / 60W
Reccomended Amp. Power	10 - 100W	10 - 125W
Max SPL	97dB	99dB
Sensitivity (1W @ 1m)	84dB	84dB
Frequency Response	68Hz - 20kHz	45Hz - 20kHz
Tweeter	1/2" Soft Dome	3/4" Soft Dome
Woofer	6 1/2" PP Cone	8" PP Cone
Terminal	Push-Pull Type	Push-Pull Type
Dimensions (mm)	200mm Diameter	242mm Diameter
Net Weight (each)	1.3kg	1.85kg

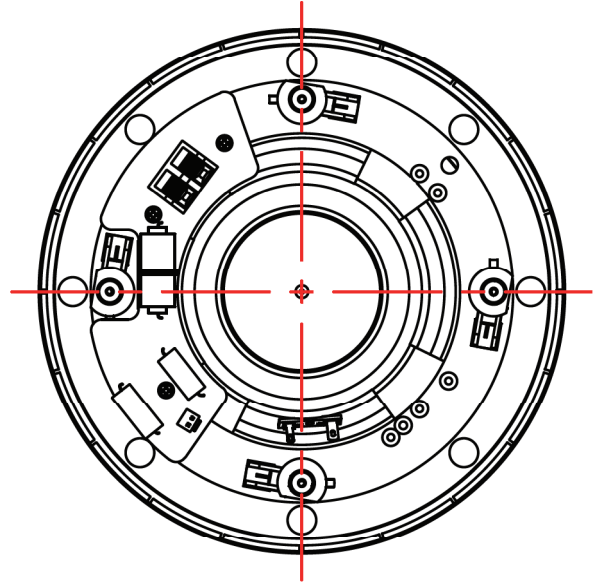
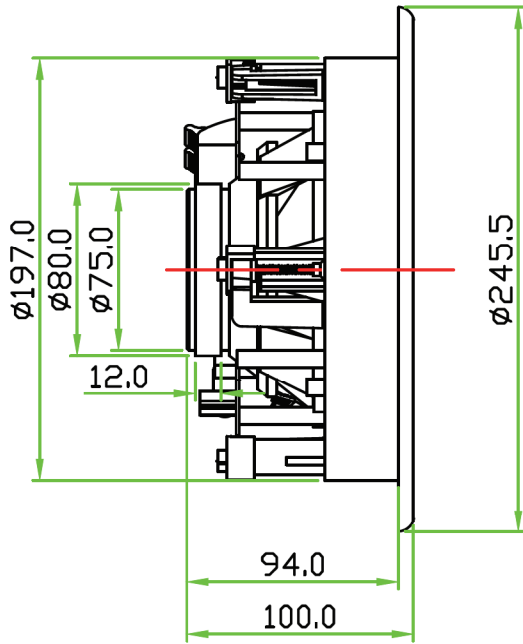
	<b>DW-6</b>	<b>DW-8</b>
System Description	In-Wall 2-Way	In-Wall 2-way
Nominal Impedance	8 Ohms	8 Ohms
Power (RMS / Peak)	20W / 40W	30W / 60W
Reccomended Amp. Power	10 - 100W	10 - 125W
Max SPL	97dB	98dB
Sensitivity (1W @ 1m)	84dB	84dB
Frequency Response	55Hz - 20kHz	45Hz - 20kHz
Tweeter	1/2" Soft Dome	3/4" Soft Dome
Woofer	6 1/2" PP Cone	8" PP Cone
Terminal	Push-Pull Type	Push-Pull Type
Dimensions (mm)	205 x 290mm	240 x 340mm
Net Weight (each)	1.4kg	1.9kg



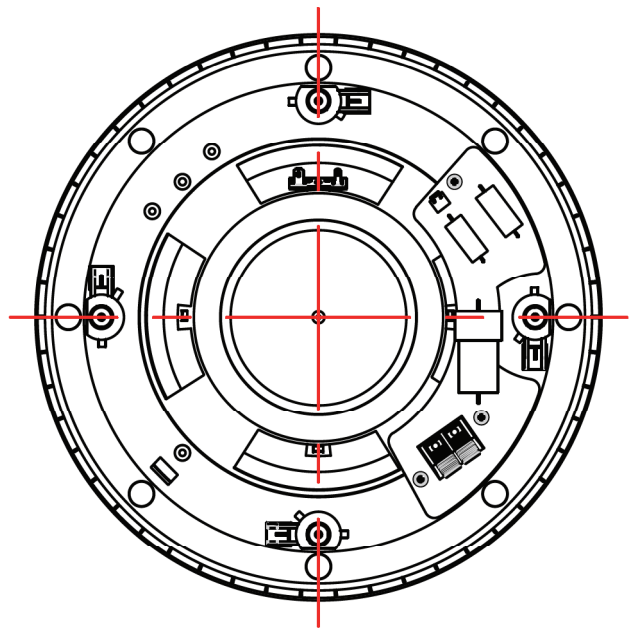
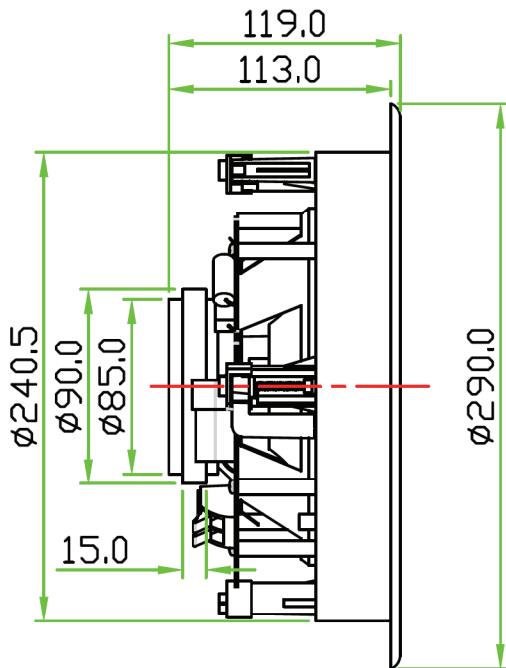


## Technical Drawings: DC Series In-Ceiling

### DC-6



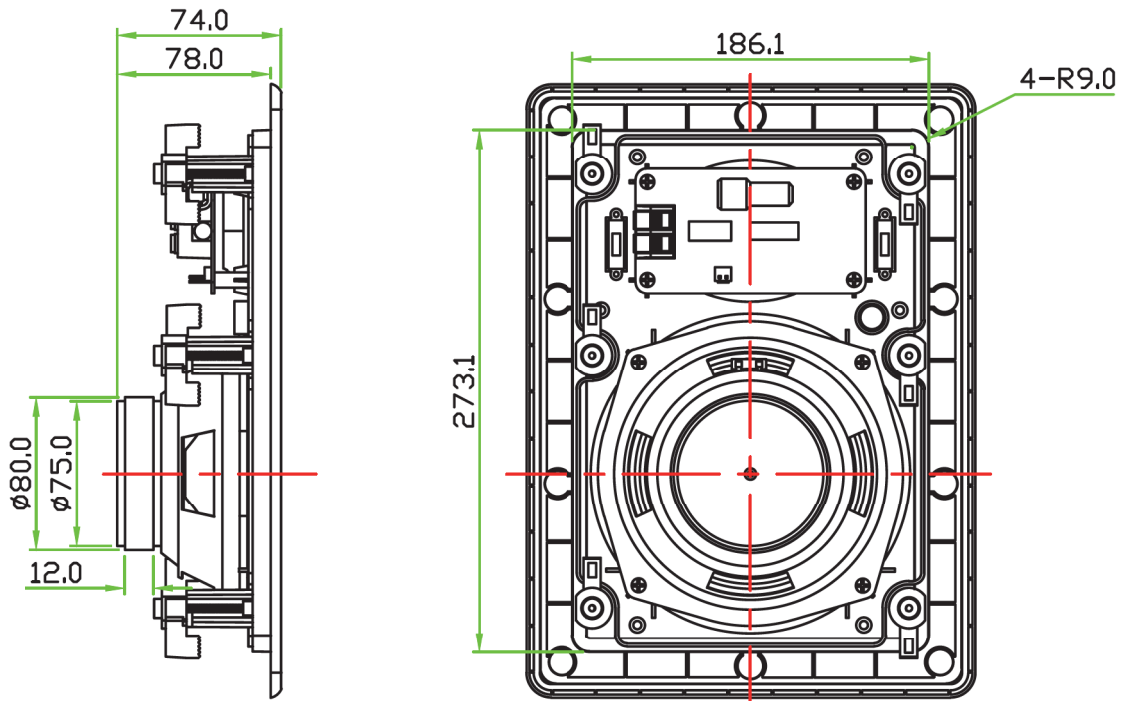
### DC-8



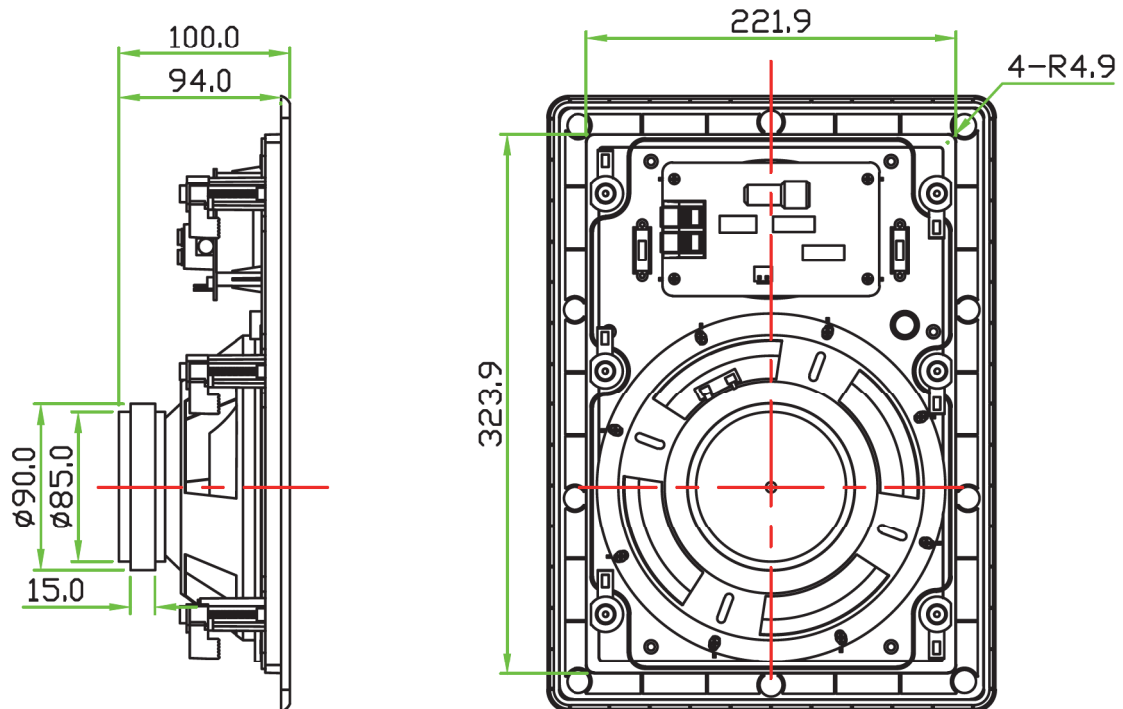


## USER INSTRUCTIONS: DC & DW Series

### DW-6



### DW-8







## USER INSTRUCTIONS: DC & DW Series

---

### Servicing

In the unlikely event that your unit develops a fault you should return it to your Wharfedale dealer using the original packing to ensure safe shipping.

The terms of your guarantee may vary in different countries. However, in all cases the guarantee excludes:  
Liability for damage or loss occurring in transit to or from the purchaser.

All damage caused through accident, misuse, wear and tear, neglect, incorrect installation, adjustment or repair by unauthorised personnel.

Wharfedale will not be liable for any consequential damage, loss or injury, arising from or in conjunction with this equipment.

### Service Centre Address

#### UK

IAG Service Dept.  
13/14 Glebe Road  
Huntingdon  
Cambridgeshire  
PE29 7DL

#### UK

Tel: +44 (0)1480 452 561  
Fax: +44 (0)1480 413 403

#### Asia

IAG Sales and Service Centre  
Jiuwei, Xixiang Town,  
Shenzhen,  
China 518102

Tel: +86 (0) 755 2748 4991  
Fax: +86 (0) 755 2965 1484

For further help and advice please visit our website  
[www.wharfedale.co.uk](http://www.wharfedale.co.uk)





## **USER INSTRUCTIONS: DC & DW Series**

---





## USER INSTRUCTIONS: DC & DW Series

---





*Wharfedale*

IAG House, 13/14 Glebe Road, Huntingdon, Cambridgeshire, PE29 7DL, UK  
Tel: +44(0)1480 452561 Fax: +44(0)1480 413403 <http://www.wharfedale.co.uk>  
IAG reserves the right to alter the design and specifications without notice. All rights reserved © IAG Group Ltd.  
Wharfedale is a member of the International Audio Group.

