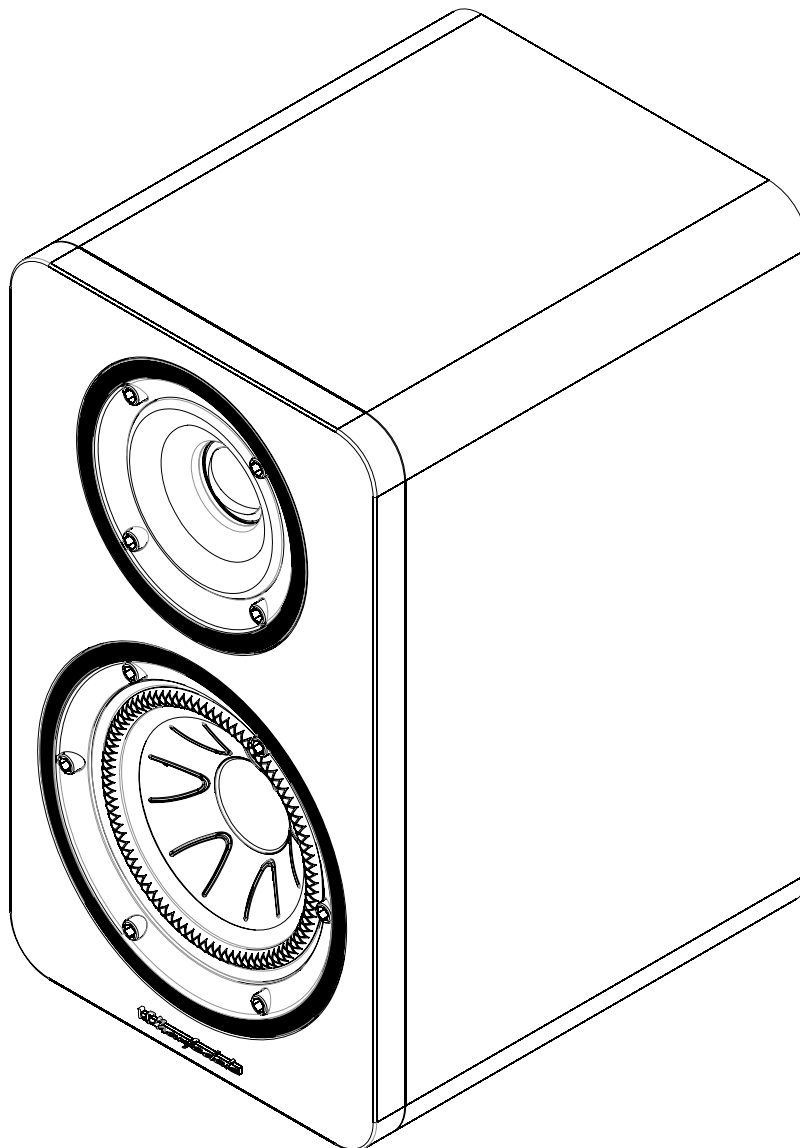


DIAMOND ACTIVE SERIES

Diamond A1
Diamond A2



**AVAILABLE AT
DIGITAL CINEMA**



Wharfedale

User's Manual

Introduction

For over 30 years, The Wharfedale Diamond Series has been the go-to speaker for entry level, high-fidelity sound. Praised for articulated performance at an affordable price, Diamond 200 series has won multiple awards, with What Hi-Fi? Sound and Vision commenting on its sound quality as "Agile, far-reaching dynamics; overflowing with detail" (Diamond 220 - March 2015).

With such a rich history of high performance combined with affordability, Wharfedale proudly present Diamond Active Series. The Diamond A1 is a bookshelf two-way speaker, and the A2, a floorstanding 2.5 way speaker. The new wireless speakers incorporate everything music fans love about Diamond series into an easy to use package, equipped to cater for a wealth of audio sources with an innovative approach to wireless technology.

How It Works

Unlike other wireless and active speakers where controls and inputs are often placed awkwardly on the back panel, Wharfedale engineers have developed a unique hub, which works as the central console for your music.

The Diamond H1 Hub features Optical, Coaxial and RCA inputs on the rear panel with an additional Bluetooth aptX connection for wireless integration of laptops, smart phones and tablet devices. It's controlled gracefully via the touch sensitive display, or for even more convenience you can use the included remote.

Once connected to your source, the Hub works independently from the speakers using the 5.8GHz wireless frequency band. Place it on your TV stand, desktop, or wherever you want, without the worry of speaker placement and trailing wires in-between the units. The only wires needed for the speakers are the supplied power cables.



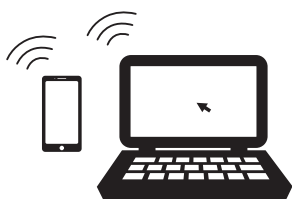
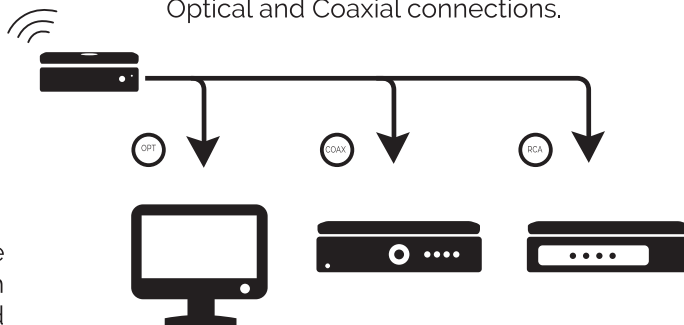
The Diamond A1 speakers and H1 Hub work wirelessly, completely independently of each other with no interconnects.



The units communicate between each other on the 5.8GHz frequency band for high quality, lossless playback.



Change source / volume and menu parameters with the included remote.



Connect any Bluetooth device and enjoy wireless playback with the aptX codec for CD-like sound quality.

Unpacking & Setup

Carefully unpack each speaker. If you are unpacking the Diamond A2 speaker, please remember that these units are heavy. We suggest that you have someone to assist you.

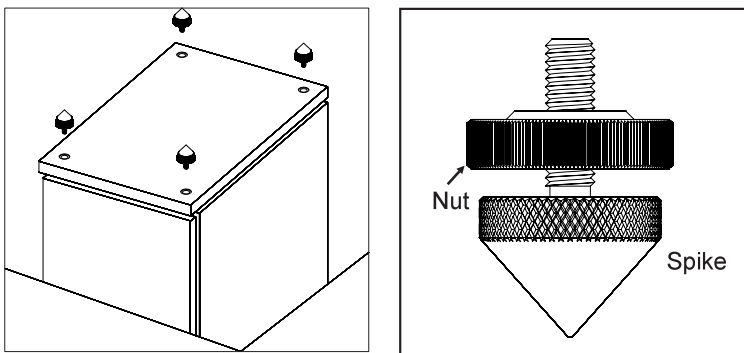
Lift the loudspeaker carefully out of the packing. DO NOT try and lift the loudspeaker using the protective bag. Remember to unpack the accessories carefully.

If there is any sign of damage or if the contents are incomplete, report this to your dealer as soon as possible.

Retain all the packing materials so that your speaker can be repacked and shipped without damage. If you dispose of the packing, do so with regard to all recycling provisions in your area.

The speakers are set to operate for the mains voltage marked on the amplifier panel. Before connecting check that this voltage is correct for your mains supply.

If you move to an area with a different mains supply voltage, please consult your Wharfedale dealer to arrange the conversion of this product.



When attaching the spikes to the A2 floorstanding model, make sure you have plenty of unobstructed working space. Place a cloth on the floor to protect the loudspeaker and invert the loudspeaker onto the cloth. Thread a locknut onto each spike and loosely rub it up the thread. Thread the spikes into the spike inserts and then tighten them finger tight. Once screwed in, invert the loudspeaker and be careful not to damage the floor with the spikes.

When the speakers are upright you may find the speaker will wobble with one spike not contacting the floor. To correct this adjust the spikes until all are in contact with the floor.

For the Diamond A1, small rubber feet are supplied with an adhesive layer on the front side. Stick these to the bottom of each A1 speaker so the leatherette material is not damaged or worn from table top surfaces or speaker stands.

Please note

The Diamond A1 system is sold in 2 boxes:

1. Diamond A1 speakers (pair boxed together)
2. Diamond H1 Hub

The Diamond A2 system is sold in 3 boxes:

1. 2 x Diamond A2 speakers (boxed individually)
2. Diamond H1 Hub

If you are missing any of these items please contact your authorised Wharfedale retailer or distributor before unpacking or setting up any part of the system.

Installation: Diamond A1 & Diamond A2 Speakers

The operation of both the Diamond A1 and A2 speakers is exactly the same.

- Plug each Diamond Active speaker in to the mains power supply and turn on the power switch to enter start up mode.
- The LED will then flash green, slowly. This means the speakers have not connected to any Wharfedale H1 Hub device – you will need to pair the speakers with a hub (followed in Installation: Hub section). After pairing, the LED light will turn green and not flash. After pairing for the first time you will not need to do this again when turning off and on the system again.
- Use the Left/Mono/Right switch to set the speakers stereo output. You can either select the left/right options accordingly if using a conventional stereo setup. Alternatively if you are placing the speakers around the room or living area in an unconventional way, you can set the speakers both to mono if you wish
- The -6dB/0/6dB switch attenuates the bass levels of the speakers. You can use this to adjust the sound to your personal preference, and may find the bass will need reducing when placed near to a wall.
- The update port is only used for updating the internal software. Generally the user will not need to operate this, we suggest to refer to the Wharfedale website or your Wharfedale dealer concerning updates.
- The pair button connects the Wharfedale speakers as one system (short press). If you long press the button until the LED indicator flashes then the software version will be displayed on the H1 Hub screen.

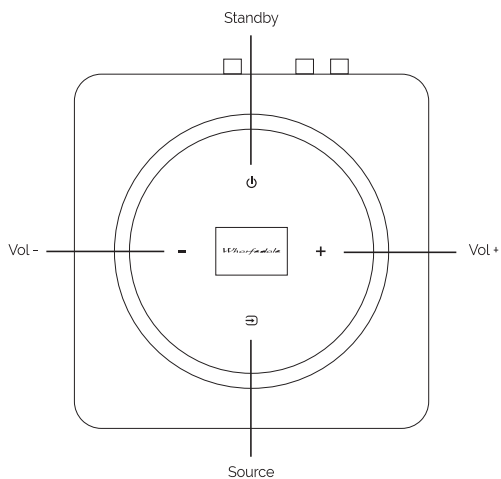
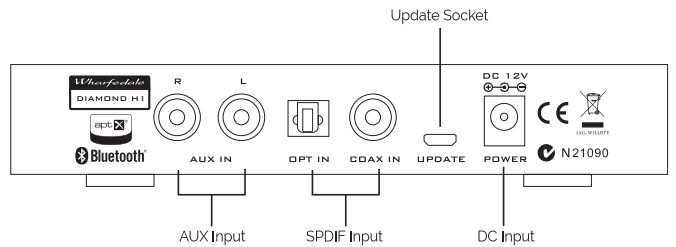
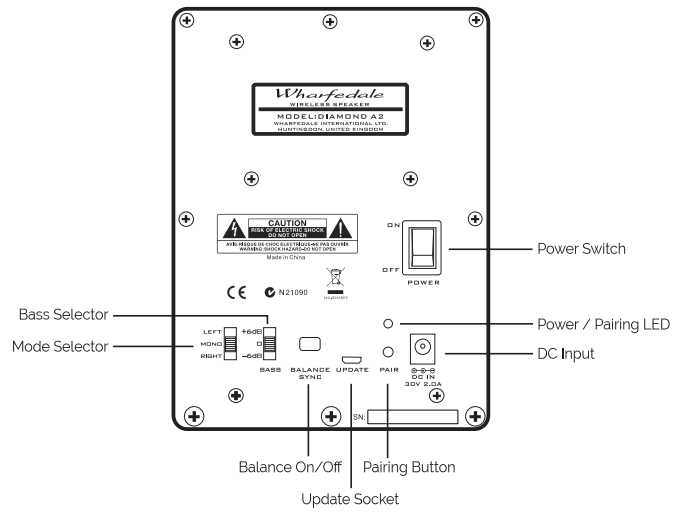
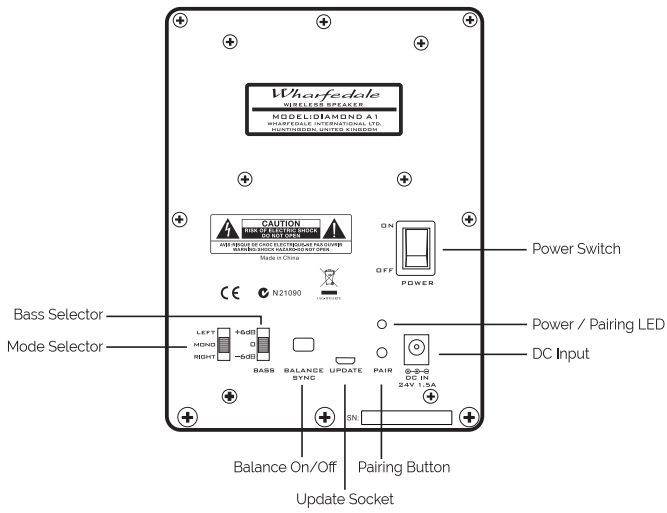
Installation: H1 Hub

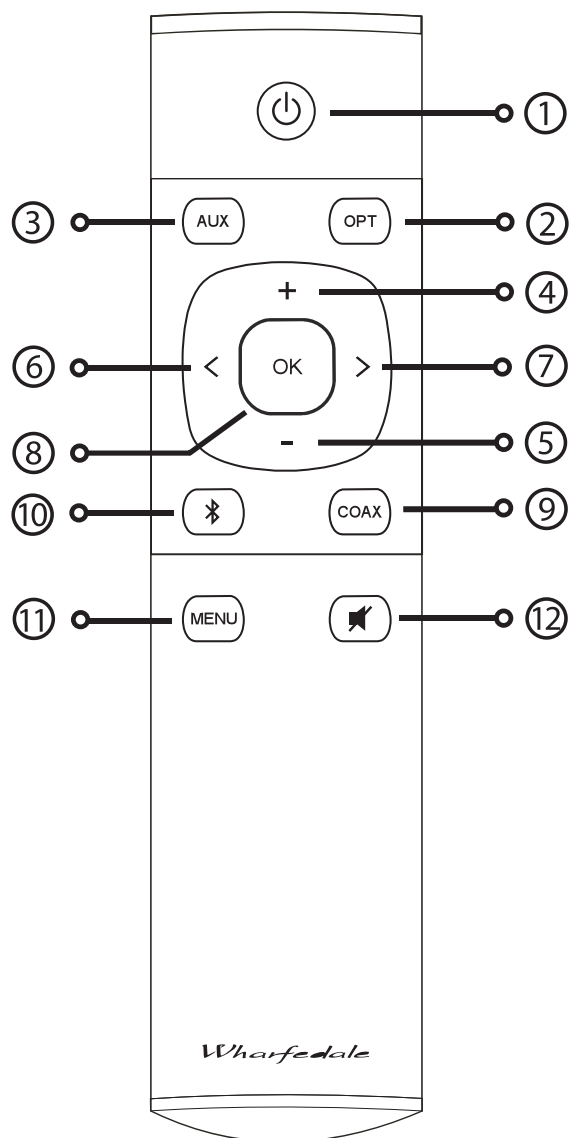
- Connect any devices you want to hear via the Auxiliary, Optical or Coaxial inputs on the rear panel.
- Connect the H1 Hub mains supply. The H1 Hub indicator light will then turn on, which means it is now in standby mode.
- The H1 Hub uses touch sensitive controls. Either touch the on/off button on the unit, or press the on/off button on the remote control and the standby LED will turn off. The screen will then briefly display the Wharfedale logo, confirming the unit is working. To return to standby, press the on/off button once more.
- If the display of the H1 Hub reads 'Not Connected' you will need to match a pair of speakers to the H1 Hub.
- Press the 'Menu' button on the remote (or long press the source button on the unit), then press 'OK' (or 'source' button on the unit), then the right control on the remote (or the '+' button on the unit) to enter pairing mode. Then press 'OK' (or source button once more) to confirm pairing operation. The screen will then display 'Searching'.
- Then press the pair button on the A1 or A2 speakers you are using and you will see 'Finished' displayed on the H1 Hub screen. The Diamond A1 or A2 speakers' LED will then light up green, confirming the connection.
- Please note pairing speakers needs to be done individually, so once your first speaker is paired, repeat the process for the second speaker.
- To adjust the volume, press the '+' and '-' buttons accordingly on the H1 Hub or remote. The default volume is 12, with a maximum of 42.
- To change the source, press the source select button (rounded rectangle with arrow icon). The H1 Hub has four channels to select: Bluetooth, Auxiliary , Optical and Coaxial.
- When selecting Bluetooth, the H1 Hub will display 'Pairing', which means the H1 Hub is not yet connected to a Bluetooth device and is searching for one.
- To connect, make sure your Bluetooth device is turned on and search for active Bluetooth devices. You will then see Diamond A as an option to connect. Select pair to device and the H1 Hub will then display 'Connected' to confirm.
- If you switch to an alternative input Bluetooth will disconnect automatically in 10 seconds, however when you switch back, Bluetooth will connect automatically to your device once more.

Menu: H1 Hub

- To access additional controls over the Diamond Active system either press 'Menu' on your remote or long-press the source button.
- This will give you different options: Speakers, Balance, Brightness, Display Delay, Auto Standby, Factory Reset and Firmware.
- You can toggle through the different options by pressing the '+' or '-' controls or left and right controls on the remote.
- The source button toggles between menu select and the menu parameter, or you can press the up / down button on the remote.
- When you have selected a parameter to adjust, press the '+' or '-' buttons on the H1 Hub or remote
- Balance: This alters the balance between the left and right speakers. Once the desired balance is set press the 'Balance Sync' button on the rear of the Diamond A1 or Diamond A2 for the changes to take effect.
- Display Delay: This function adjusts how long the display is on after adjusting the controls the options are: Always on, 1 minute, 30 seconds (default) and 15 seconds.
- Auto Standby: You can adjust the auto-standby function to always on (default) or 20 minutes, where it will auto-switch to standby if there has been no signal for 20 minutes.
- Factory Reset: This function will restore the system to its factory default settings. Select 'Yes/No' to confirm.
- Firmware: This function displays the firmware version of your system. Generally the user will not need to operate this, we suggest to refer to the Wharfedale website or your Wharfedale dealer concerning updates.

Rear Panel & Control Diagrams





- | | | |
|----|------------------|---|
| 1 | STANDBY | Press to bring the unit in/out of standby |
| 2 | OPT | Switch to optical input |
| 3 | AUX | Switch to analogue input |
| 4 | + | Increase volume |
| 5 | - | Decrease volume |
| 6 | < | Previous item |
| 7 | > | Next item |
| 8 | OK | Confirm |
| 9 | COAX | Switch to coaxial input |
| 10 | Bluetooth symbol | Switch to bluetooth input |
| 11 | MENU | Press to enter menu mode |
| 12 | Mute symbol | Press to mute/unmute the sound |