



OBSESSED WITH HIGH RESOLUTION

LSX Accessories

P1 Desk Pad



**AVAILABLE AT
DIGITAL CINEMA**

LSX Accessories

Consisting of three models – the S1 (floor stand), the B1 (wall bracket) and the P1 (desk pad) – the LSX Accessories family maximises the flexibility of LSX, allowing for effortless integration into the listening environment whilst maximising performance. A mixture of premium materials, exquisite design and useful features come together to ensure that, whether out in the room, on a table or affixed to the wall, LSX continues to deliver in style.

P1 Desk Pad

Formed from high quality diecast aluminium and bonded directly to LSX via the integrated mounting system, P1 desk pad is an ideal addition for LSX when used as a desktop system or on a low television cabinet.



Features:

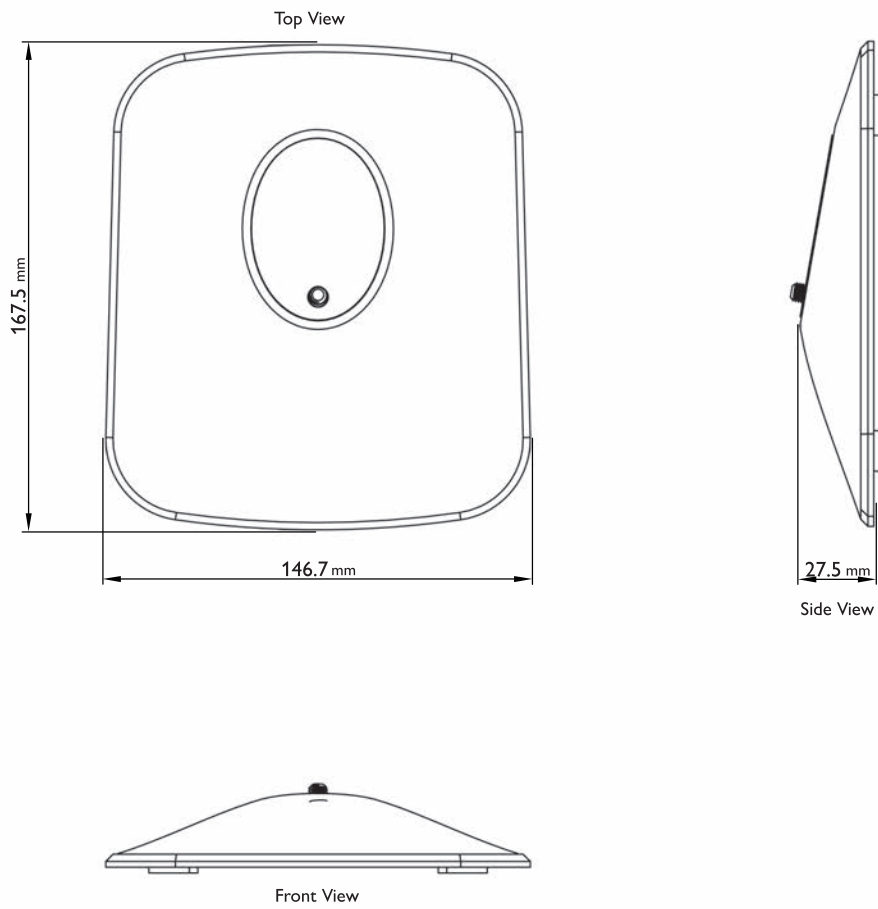
- ¼" screw mounting for use with LSX
- Aluminium construction for rigidity and stability
- 10° upwards tilt
- Available finishes: Black / Silver





OBSSESSED WITH HIGH RESOLUTION

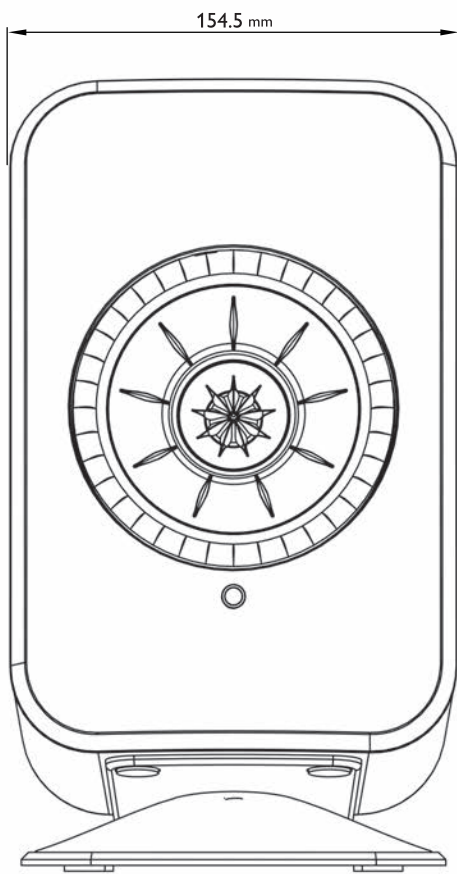
Dimensions without LSX speaker



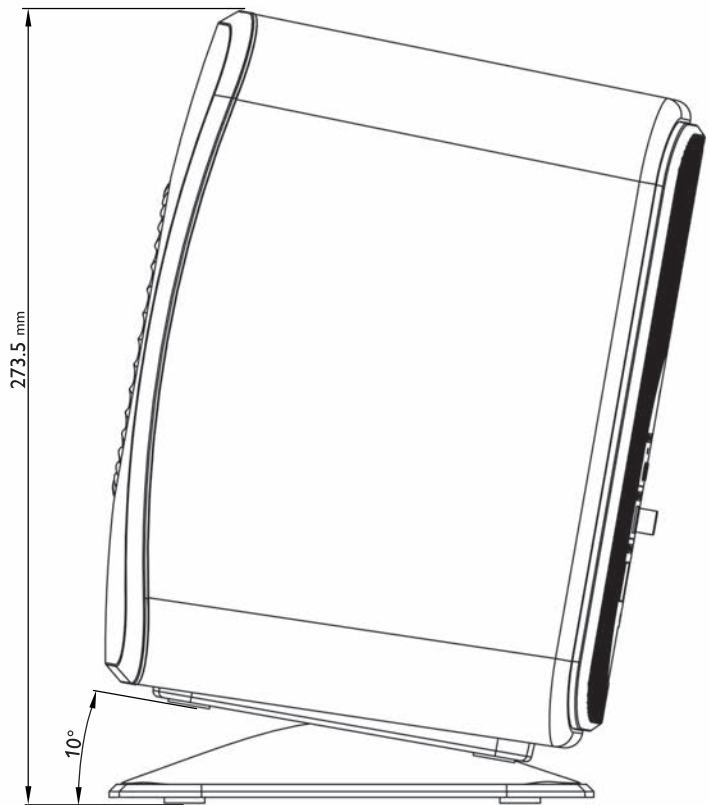


OBSESSED WITH HIGH RESOLUTION

Dimension with LSX speaker



Front View



Side View

Visit: [KEF.com](https://www.kef.com) for more about KEF and its products.

KEF reserves the right, in line with continuing research and development, to amend or change specifications. E&OE.