



Bass you can feel.

sub6 is a sealed box, front-firing subwoofer offering 200W of powerful bass extension. A precise low-pass filter makes sub6 a perfect match with any Kanto speaker, allowing you to dial in the perfect cut-off frequency. Its 6" paper cone driver enables true sub-bass reproduction with low-end that has real weight. Phase adjustment, power saving auto-off and full L/R line level input round out this compact package.



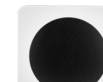
FEATURES & SPECIFICATIONS

Woofer	6 inch Paper Cone Driver	Standby Power Consumption	< 0.5 W
Nominal Impedance	4 Ohm	Dimensions	8.7" W x 8.7" D x 9.6" H (22 x 22 x 24.5 cm)
Sensitivity 1W/1m	86 dB	Net Weight	11.7 lb (5.3 kg)
Amplifier Type	Class D	Gross Weight	13.9 lb (6.3 kg) (boxed)
Power Output	200W Peak Power (100W RMS)	Shipping box dimensions	13.2" x 12" x 12" (33.6 x 30.5 x 30.5 cm)
Input Sensitivity	100 mV		
Total Harmonic Distortion	< 0.3%		
Frequency Response	35 Hz - 165 Hz		
Low-Pass Filter	40 Hz - 120 Hz		
Phase Switch	0° and 180°		
Input	1 x RCA L/R Line Level		
Input Voltage / Frequency	AC 100V - 240V 50/60 Hz (auto switching)		

**AVAILABLE
GLOSS
COLORS**



GLOSS
BLACK



GLOSS
WHITE

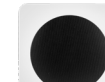
**AVAILABLE
MATTE
COLORS**



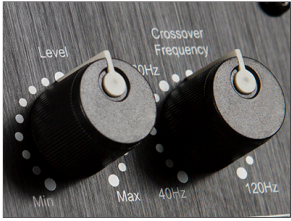
MATTE
BLACK



MATTE
GREY

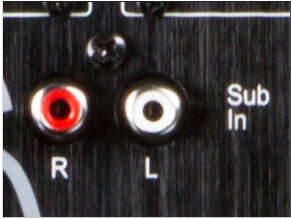


MATTE
WHITE



CONTROLS

Every space is different. Precise dials for volume and cut-off frequency offer exacting, responsive control that lets you shape your bass to fit the unique character of your room.



STEREO INPUTS

Although designed to be a perfect match with Kanto speakers, sub6 features stereo inputs allowing use with any source. Anything from vintage stereo receivers to high-end amplifiers with stereo sub output can be connected, so you don't have to sacrifice quality for convenience.



FEET

Solid rubber feet keep sub6 firmly planted on any surface. Isolating the housing from the surrounding environment allows for unmatched clarity and separation from lower-mid frequencies, and reduces vibration.



ACOUSTIC MDF

sub6's acoustic MDF enclosure is engineered to reduce undesired resonance and reverberation inside the box, providing clean, uncolored sound.



DESIGN

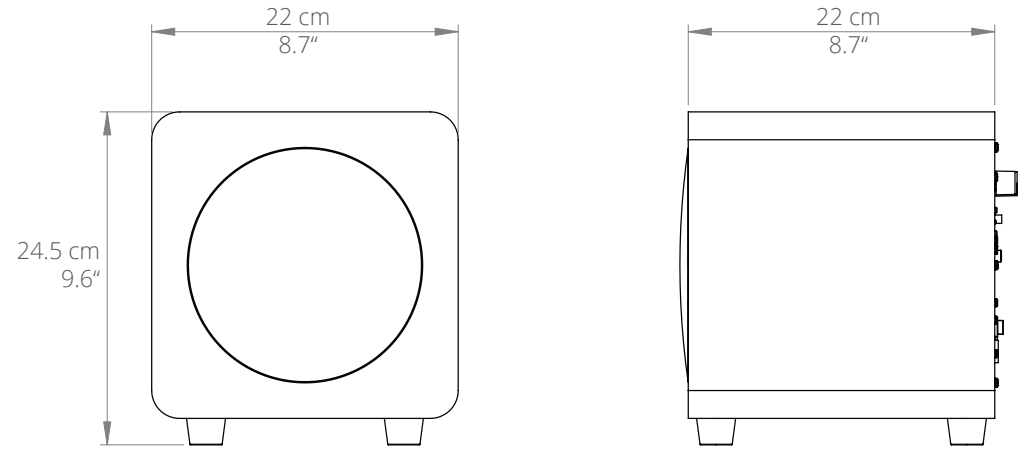
sub6 is available in black, gray and white in your choice of smooth matte or glossy piano finish.



GRILLE

sub6 features a specially designed grille that protects the driver from impact and dust while allowing sound to travel through with minimal diffraction.

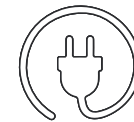
TECHNICAL ILLUSTRATIONS



WHAT'S IN THE BOX?



User Manuals



Power Cord



RCA Cable