

# M&K Sound IW Series

**Frameless Architectural  
In-Wall Loudspeakers**



AVAILABLE AT  
DIGITAL CINEMA



# The M&K Sound In-Wall Loudspeaker

The M&K Sound Frameless Architectural In-Wall loudspeaker range consists of open baffle designs as well as sealed box versions of the brand's popular satellite and on-wall models to provide wide flexibility in terms of applications and acoustic preferences. The series maintains the sonic integrity that has made M&K Sound a legend for over four decades.

Unlike other In-Wall makers, M&K Sound employs the exact same drivers and crossover technologies found in our acclaimed professional and consumer reference monitors to deliver consistent sound coverage throughout the room for superior imaging in stereo and surround, even when the speakers are fitted in the ceiling.

## M&K Sealed In-Wall Boxes

The materials, acoustic properties, assembly and volume of every M&K Sound sealed box are all known factors during system design, so that the construction of the wall, the type of materials inside the wall and the volume of air behind the speaker all have no impact on final performance. It is this extreme level of control over the interaction of speaker and wall that makes it possible for M&K Sound to offer designer-friendly, invisible installation at no sacrifice in ultimate performance.

M&K Sound back boxes of 18mm MDF are painted with black structure polyurethane lacquer for moisture resistant sealed surfaces. The sealed box also provides effective protection against dust, insects and vermin. Damping pads on the rear panel eliminate vibration when in direct contact with the wall in shallow installations. All mounting hardware is pre-fitted to the box, including metal clamps to fix speaker wire in the pre-cut cable groove on the rear of the box. Gold-plated push-on terminals with +/- polarity markings allow easy cable connection without the use of tools. Torx mounting screws with special washers are used for smooth mounting along with a practical, efficient, self-tightening dog ear clamp system for a perfect seal between baffle and wall.

M&K Sound drive units represent the culmination of decades of intensely focused transducer innovation.

### Timbre Matching

The ambitious goal of the latest M&K Sound Architectural In-Wall range has been to counterbalance the inevitable acoustic consequences of reducing internal volume to 20 – 30% of a normal cabinet, while preserving the celebrated neutrality, realism and musicality that are the signature of M&K Sound. This level of tonal consistency and timbre matching offers unique flexibility and the opportunity to mix and match speakers from across the entire M&K Sound line-up.

### Invisible, Immersive and In the Right Place

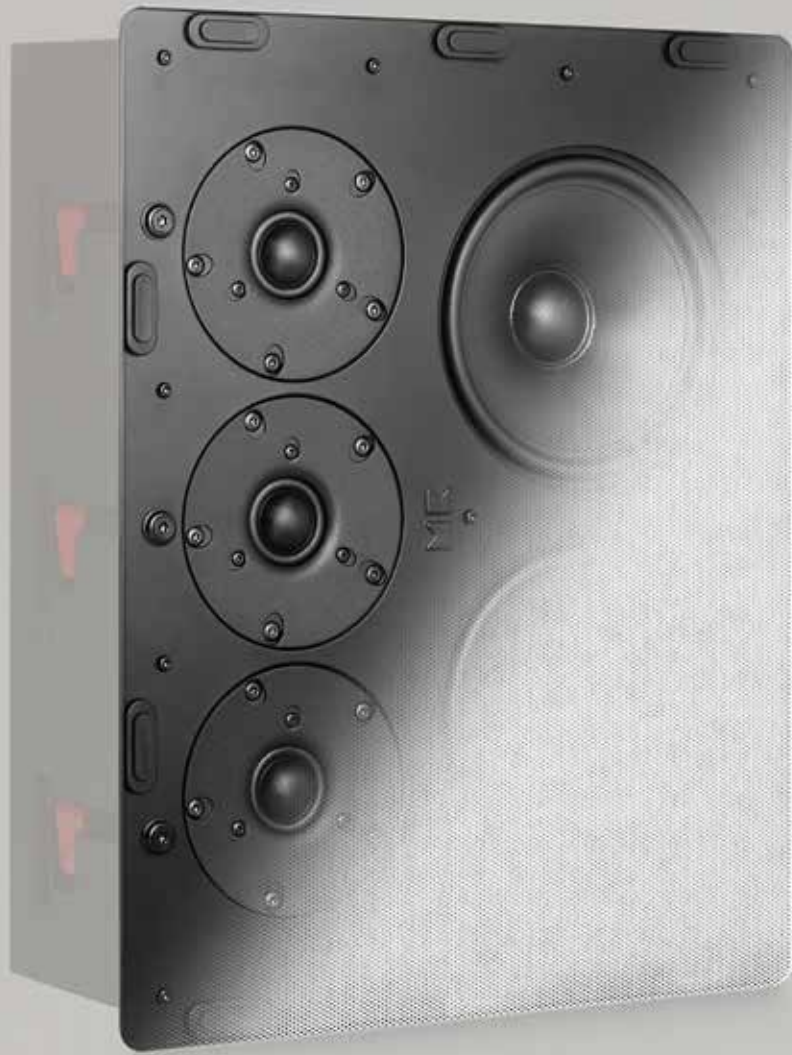
Ever more complex surround formats such as Dolby Atmos, DTS X and Auro create an increasing need for high performance, yet concealed loudspeakers to handle installations incorporating 9 - 11 channels and beyond with discretion and style.

To deliver full-bodied performance from shallow, sealed enclosures, M&K Sound begins with the identical drivers used in our original satellite models and extensively modifies the crossover design to compensate precisely for the reduced internal volume bringing In-Wall response much closer to the frequency response of the original loudspeakers. Further revisions take into account practical considerations such as service access and, most critically, ensure easy, fast, accurate and safe installation.

Simply mark the intended placement using the cut-out template enclosed with the speaker, prepare the opening, attach speaker wire, drop in the box, tighten screws and fit the front grille. Then, get ready to be blown away.

**Every new M&K Sound In-Wall speaker is designed to be as universal as possible, whether used in In-Wall and/or In-Ceiling applications.**

**The range is fully compatible with all current and future sound formats, including Dolby Atmos, DTS X and Auro.**



*M&K Sound IW300 In-Wall Loudspeaker*

## **The Choice of Professionals®**

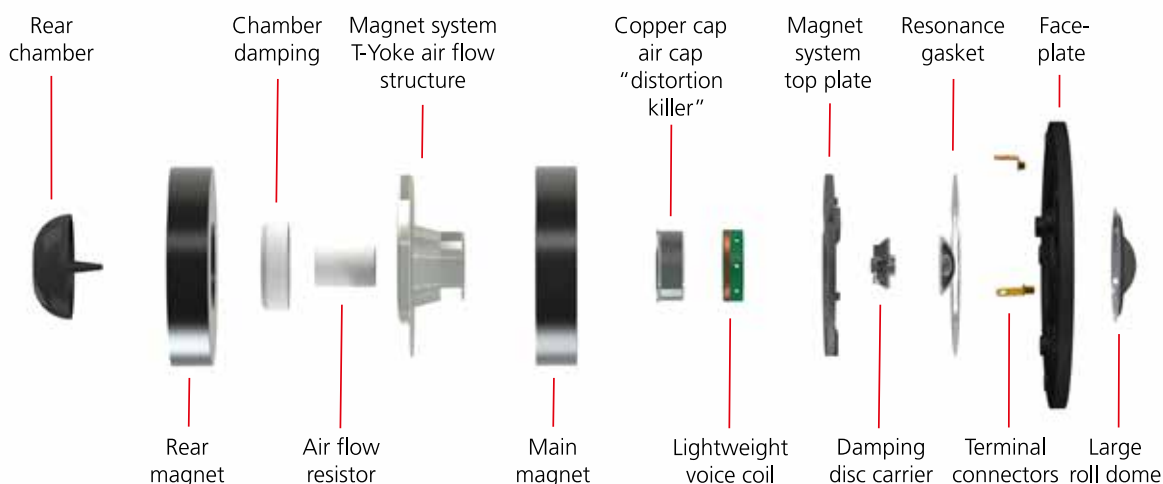
The world's most eminent musicians, singers, producers, directors and engineers working in hundreds of film, music, broadcast and postproduction studios worldwide, choose M&K Sound loudspeakers.

Every day they make hundreds of artistic decisions based upon what they hear on their speakers. The trust they have in M&K Sound allows them to work quickly and effectively as they create the most breathtaking film soundtracks and music ever recorded.

## **M&K Sound are used by the world's finest filmmakers, including:**



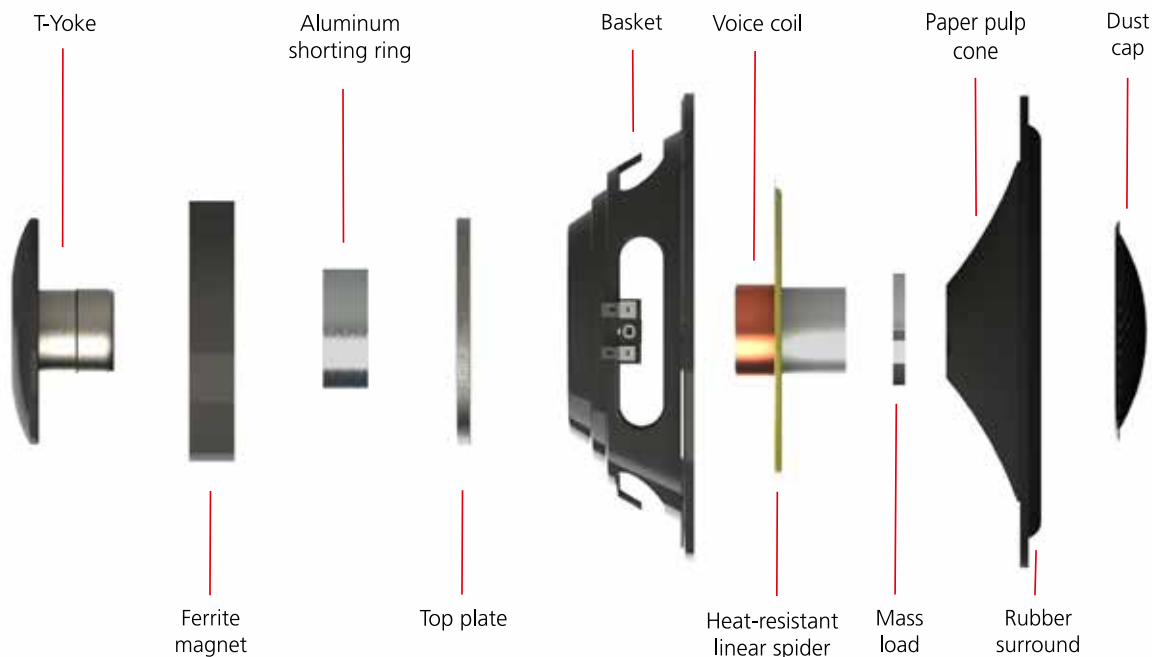
# M&K Custom Designed Tweeters



Flush-mounted in the steel baffle to eliminate reflections, M&K Sound's custom designed tweeters raise the bar for speed, accuracy, reliability, build quality and performance. Based on M&K Sound's proprietary aerodynamic flow

control damping system, our exclusive tweeters provide extended frequency response for an absolutely seamless transition to the bass/mid drive units.

# M&K IW28S Bass Driver



The illustration above presents the many components and technologies that come together in the IW28S Subwoofer bass drivers. M&K Sound proudly works to a higher, stricter standard and because we alone dictate the specifications

for our exclusive, custom designed drivers down to the last detail, they deliver the precision and effortless, natural sound reproduction that continue to make M&K Sound the first choice of professionals and enthusiasts.

## IW28S In-Wall Subwoofer



More than four decades of experience and insight have been applied to the design of this truly invisible subwoofer, based on high-performance 8" woofers specially developed for the M&K Sound V Series subwoofers and ingeniously adapted to meet the extreme demands of shallow, flush-mount installation while delivering the quantity and quality of deep bass that consumers and professionals expect from M&K Sound.

The specially tuned, ultra-fast,

mass-loaded dual drivers employ aluminum shorting rings for minimal voice coil distortion at long excursion. Highly rigid paper pulp cones with high inner damping ensure stability at extreme levels and low resonance.

The ultra-linear solid ferrite magnet system provides effective dissipation of heat from the voice coil to prevent power compression from limiting the acoustic output of the system.

The drivers are installed in full contact with the front baffle and the rear of the box for ideal mechanical stability to minimize driver resonances that can occur due to the limited volume of an In-Wall enclosure.



## VA500 Subwoofer Amplifier

This dedicated Class D amplifier with high efficiency, cool running and low standby voltage consumption is a further development of the amplifiers built into the popular M&K Sound V Series subwoofers. The Class D switch mode power module is designed with effective power reserves to effortlessly deliver copious amounts of clean power to the IW28S In-Wall sub for extraordinary, uncompromising handling of demanding deep bass transients.

A precisely calibrated dynamic headroom control circuit constantly monitors the signal to prevent audible clipping, while maintaining the full dynamic range of modern digital audio formats.

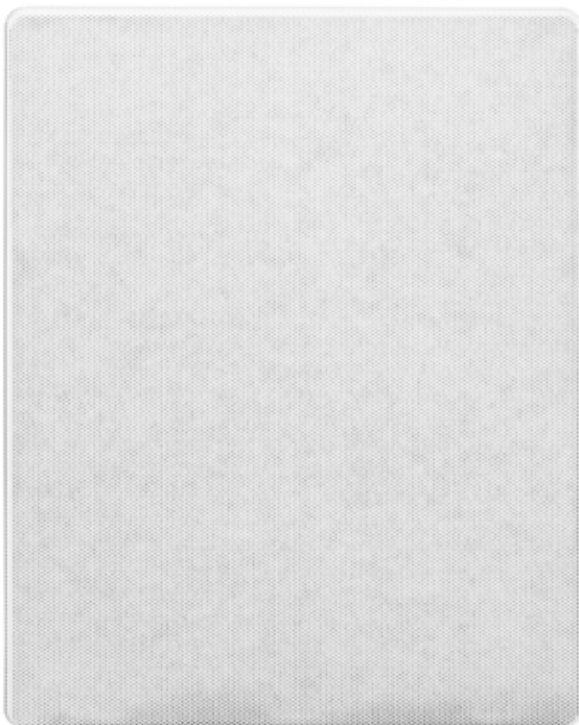
Stereo inputs and line-level passthrough connections provide valuable flexibility for system building and

future expansion. For perfect sonic integration with any satellite system, VA500 incorporates adjustable gain control including a fixed level position for reference set-up, continuously variable phase (0-180 degrees), variable crossover frequency (60Hz - 200Hz) and three-position room adaptation. The amp is one standard rack unit high and is supplied with removable handles for mounting in a 19" pro rack and feet for stand-alone placement.



# IW300 In-Wall Loudspeaker

The IWS300 features the same proprietary drivers and crossover as the famed Miller & Kreisel S300 Series. The unique design allows critical audio professionals to hear exactly what's going on in the mix and listen for hours with no hint of fatigue. This is the ultimate choice for the music and cinema enthusiast seeking the finest In-Wall speakers available.



## IW950 In-Wall Loudspeaker



The IW950 incorporates proprietary M&K Sound drive units and technologies drawn from the classic M&K Sound 950 Series. Stable, smooth installation and the same sophisticated design philosophy developed for all M&K Sound speakers ensures even sound throughout any room with superior imaging, whether mounted In-Wall or in-ceiling.



## IW150 In-Wall Loudspeaker



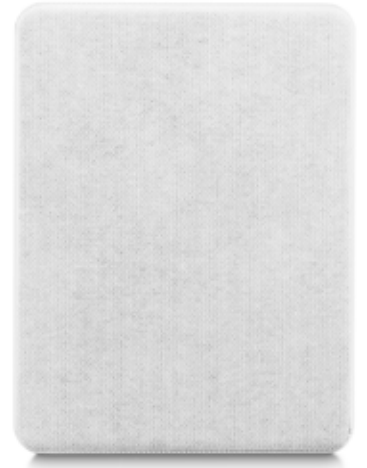
This award winning design is the In-Wall equivalent of M&K Sound's S150II Series used on a daily basis as the preferred monitoring tool in hundreds of professional film and music recording studios around the world and in thousands of serious home entertainment systems. Can there be any better choice than the speakers on which your favorite movies and music were actually created?



## IW95 In-Wall Loudspeaker



As a direct descendent of M&K Sound's standard-setting professional studio monitors, the highly versatile IW95 is built on a thick front steel baffle system with solid mounting brackets and can be mounted for seamless, smooth fit and finish and rock-solid installation to deliver a seamless, holographic, three-dimensional listening experience.



## IW85 In-Wall Loudspeaker



Experience full-range, designer-friendly sound to rival many "audiophile" stand-alone speakers, in a compact package that integrates beautifully into walls or ceilings! The versatile IW85 is superb in two-channel or surround applications and can be combined with any M&K Sound In-Wall, on-wall or satellite models for a seamless sonic match.

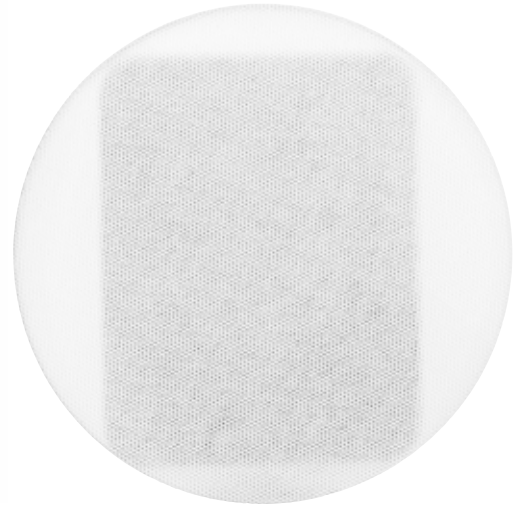




## IW5 In-Wall Loudspeaker



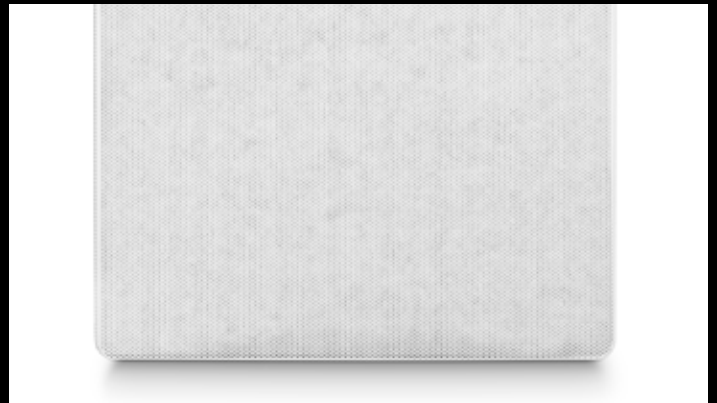
Designed with the same richly detailed sound as the M&K Sound M Series. The IW5 is supplied with a slim round grille making it the optimal choice as the in ceiling solution. The ultra compact IW5 is the invisible flush-mount speaker that delivers consistent sound quality across large spaces or multiple zones.



## The Inside Story

### Metal Grilles

M&K's Architectural frameless, low profile, metal mesh front grilles are a subtly elegant, virtually invisible element in any living space. The grilles can be painted to match the surrounding surface. For vibration-free mounting, the M&K In-Wall grilles are fitted with multiple rubber-coated neodymium magnets with more than enough strength for safe in-ceiling use.



### Hardened Steel Baffles

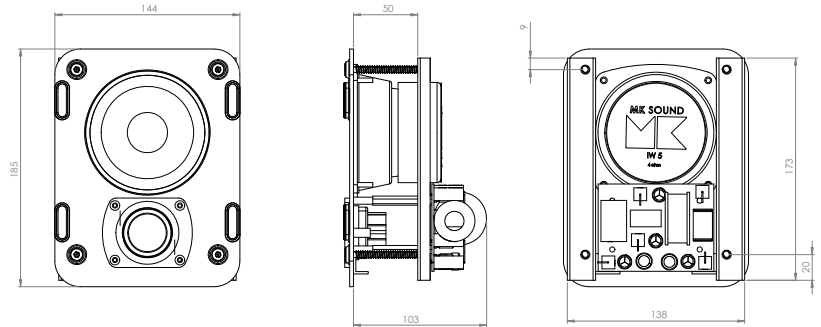
The specially modified M&K drive units are mounted in solid steel front baffles to reinforce the wall and eliminate the rattle and buzz of common plastic frame In-Wall speakers. The heat hardened steel is powder coated for effective rust-proofing to last a lifetime. IW950, IW150II, IW300 and IW28S incorporate folded baffle edges for enhanced stability in a hostile and unpredictable environment.



# Specifications

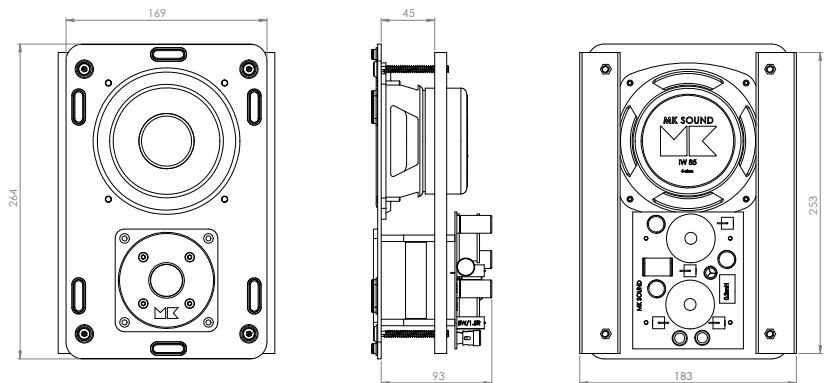
## IW5 In-Wall Loudspeaker

Impedance . . . . . 4 Ohm  
 Recommended Amplifier Power . . . . . 25 – 125W  
 Bass/Midrange . . . . . 4" polymer coated texture paper  
 High Frequency Driver . . . . . 1" coated silk dome  
 Frequency Response . . . . . 100 Hz – 20 kHz,  $\pm 3$ dB  
 Sensitivity . . . . . 84 dB, 2.83V/1m  
 Grille Dimensions, round ( $\varnothing$ ) . . . . . 8.81", 224 mm  
 Baffle Dimensions diagonal . . . . . 8.66" / 220 mm  
 Baffle Dimensions (HxW) . . . . . 7.28 x 5.66", 185 x 144 mm  
 Wall Cutout (HxW) . . . . . 6.45 x 4.88", 164 x 124 mm  
 Mounting Depth . . . . . 4.05", 103 mm  
 Weight . . . . . 2.4 kg / 5.3 lbs.



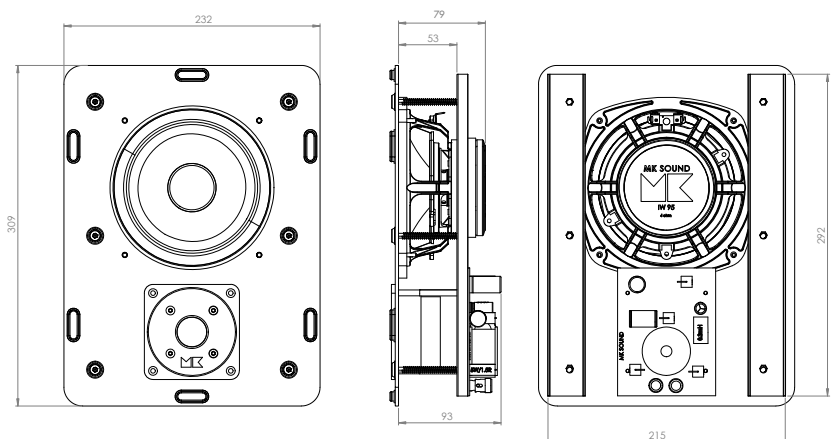
## IW85 In-Wall Loudspeaker

Impedance . . . . . 4 Ohm  
 Recommended Amplifier Power . . . . . 25 – 200W  
 Bass/Midrange . . . . . 5.25" polypropylene  
 High Frequency Driver . . . . . 1" soft fabric dome  
 Frequency Response . . . . . 85 Hz – 20 kHz,  $\pm 3$ dB  
 Sensitivity . . . . . 88 dB, 2.83V/1m  
 Grille Dimensions (HxW) . . . . . 10.62 x 6.88", 270 x 175 mm  
 Baffle Dimensions (HxW) . . . . . 10.39 x 6.65", 264 x 169 mm  
 Wall Cutout . . . . . 9.4" x 6", 239 x 152 mm  
 Mounting Depth . . . . . 3.67", 93 mm  
 Weight . . . . . 4.1 kg / 9 lbs.



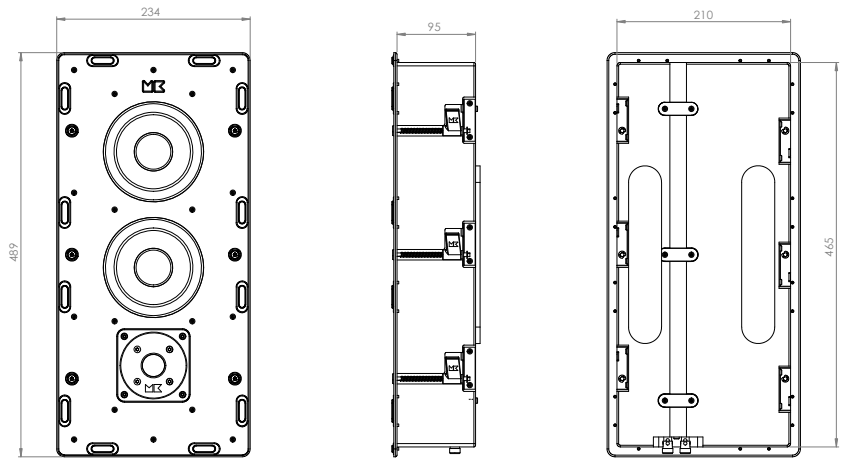
## IW95 In-Wall Loudspeaker

Impedance . . . . . 4 Ohm  
 Recommended Amplifier Power . . . . . 25 – 300W  
 Bass/Midrange . . . . . 6.5" polypropylene  
 High Frequency Driver . . . . . 1" soft fabric dome  
 Frequency Response . . . . . 80 Hz – 20 kHz,  $\pm 3$ dB  
 Sensitivity . . . . . 91 dB, 2.83V/1m  
 Grille Dimensions (HxW) . . . . . 12.40 x 9.33", 315 x 237 mm  
 Baffle Dimensions (HxW) . . . . . 12.16 x 9.13", 309 x 232 mm  
 Wall Cutout (HxW) . . . . . 10.75 x 7.44", 273 x 189 mm  
 Mounting Depth . . . . . 3.67", 93 mm  
 Weight . . . . . 4.6 kg / 10 lbs.



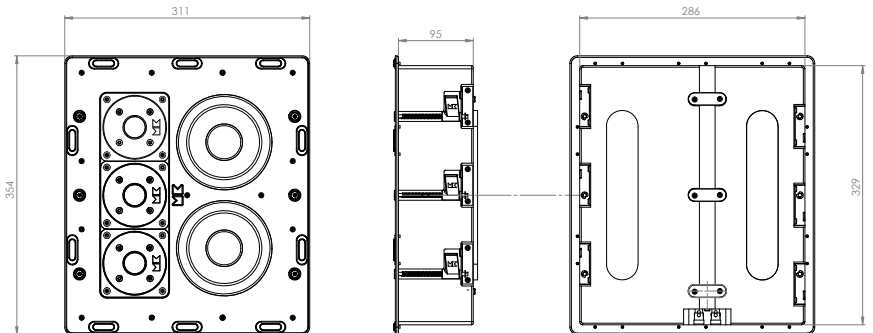
## IW950 In-Wall Loudspeaker

Impedance . . . . . 4 Ohm  
 Recommended Amplifier Power . . . . . 25 – 400W  
 Bass/Midrange . . . . . 2 x 5.25" polypropylene  
 High Frequency Driver . . . . . 1" soft fabric dome  
 Frequency Response . . . . . 80 Hz – 20 kHz, ±3dB  
 Sensitivity . . . . . 90 dB, 2.83V/1m  
 Grille Dimensions (HxW) . . 19.52 x 9.44", 496 x 240 mm  
 Baffle Dimensions (HxW) . 19.25 x 9.21", 489 x 234 mm  
 Wall Cutout (HxW) . . . . . 18.38 x 8.34", 467 x 212 mm  
 Mounting Depth . . . . . 3.74", 95 mm  
 Weight . . . . . 8 kg / 17,7 lbs.



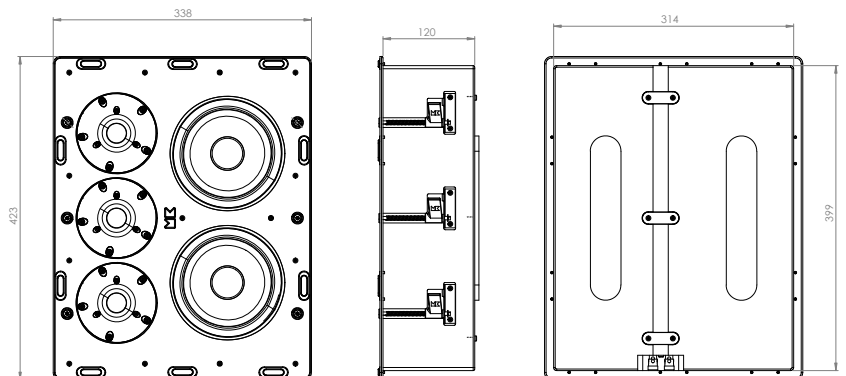
## IW150II In-Wall Loudspeaker

Impedance . . . . . 4 Ohm  
 Recommended Amplifier Power . . . . . 25 – 400W  
 Bass/Midrange . . . . . 2 x 5.25" polypropylene  
 High Frequency Driver . . . . . 3 x 1" soft fabric dome  
 Frequency Response . . . . . 80 Hz – 20 kHz, ±3dB  
 Sensitivity . . . . . 90 dB, 2.83V/1m  
 Grille Dimensions (HxW) . 14.17 x 12.51", 360 x 318 mm  
 Baffle Dimensions (HxW) . 13.93 x 12.24", 354 x 311 mm  
 Wall Cutout (HxW) . . . . . 13.03 x 11.33", 331 x 288 mm  
 Mounting Depth . . . . . 3.74", 95 mm  
 Weight . . . . . 8,5 kg / 18,8 lbs.



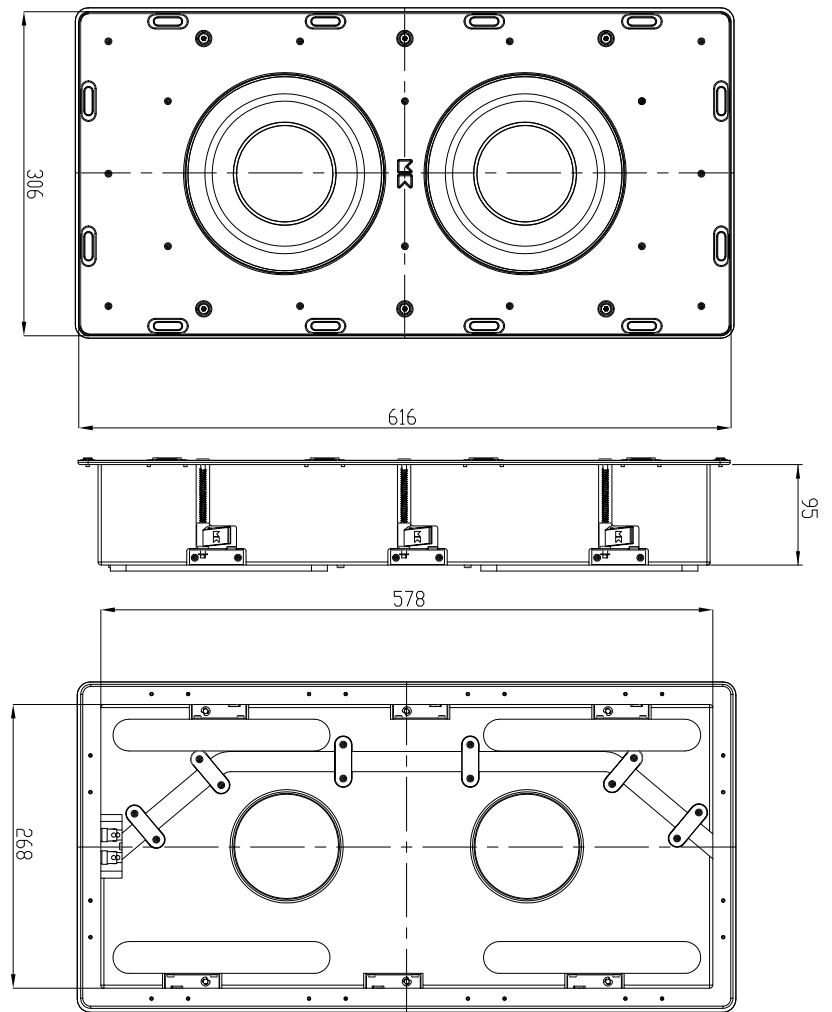
## IW300 In-Wall Loudspeaker

Impedance . . . . . 4 Ohm  
 Recommended Amplifier Power . . . . . 25 – 500W  
 Bass/Midrange . . . . . 2 x 6.5" glassfibre  
 High Frequency Driver . . . . . 3 x 1" soft fabric dome  
 Frequency Response . . . . . 80 Hz – 22 kHz, ±3dB  
 Sensitivity . . . . . 93 dB, 2.83V/1m  
 Grille Dimensions (HxW) . 16.92 x 13.58", 430 x 345 mm  
 Baffle Dimensions (HxW) . 16.65 x 13.30", 423 x 338 mm  
 Wall Cutout (HxW) . . . . . 15.78 x 12.44", 401 x 316 mm  
 Mounting Depth . . . . . 4.73", 120 mm  
 Weight . . . . . 10 kg / 22 lbs.



## IW28S In-Wall Subwoofer

Impedance . . . . . 4 Ohm  
 Bass Drivers . . . . . 2 x 8" paper pulp  
 Frequency Response . . . . . 28 Hz – 200 Hz, ± 3dB  
 Sensitivity (drive signal 100mVolt VA500 amp) . 88 dB/1m  
 Grille Dimensions (HxW) . 24.48 x 12.44", 622 x 312 mm  
 Baffle Dimensions (HxW) . 24.25 x 12.04", 616 x 306 mm  
 Wall Cutout (HxW) . . . . . 22.84 x 10.62", 580 x 270 mm  
 Mounting Depth . . . . . 3.74", 95 mm  
 Weight . . . . . 11 kg / 24,2 lbs.

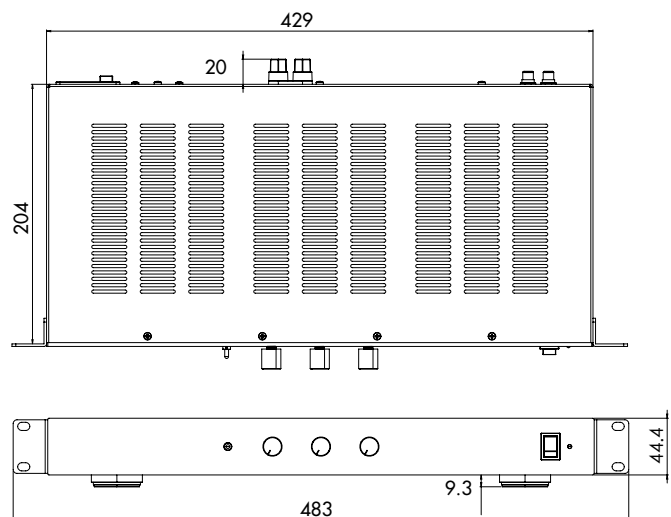


## VA500 Subwoofer Amplifier

Continuous Output Power . . . . . 500W/4 Ohm, Class D  
 Peak Output Power . . . . . 800W/4 Ohm  
 System Preamp . . . . . Analog  
 Line-Level Connections Phono In, Phono Passthrough Out  
 Speaker Connections . . . . . 5-way binding posts  
 Controls: . . . . . Volume, Phase, Crossover  
 EQ Switch . . . . . 3-Position Room Adaptation:

1. For one sub placed away from corners
2. For one sub placed near a corner
3. For one or two subs placed in corner(s)

Input Voltage . . . 100-240 VAC (switchable), Auto On/Off  
 Dimensions (WxHxD) . . . . . 16.88 x 1.74 x 8.81"  
 Dimensions (WxHxD) . . . . . 429 x 44,4 x 224 mm  
 Dimensions (WxHxD) Rack size . . . . . 19 x 1.74 x 8.81"  
 Dimensions (WxHxD) Rack size . . . . . 483 x 44,4 x 224 mm  
 Weight . . . . . 4 kg / 8,8 lbs.



[www.mksound.com](http://www.mksound.com)

M&K Sound, the MK logo, Miller & Kreisel, the Miller & Kreisel logo and Tripole are trademarks of M&K Sound Aps. All trademarks are registered in some jurisdictions. All rights reserved.

**The Choice of Professionals®**