

# CustomSound™ CSIW SUB10 In-wall Speaker



Preliminary



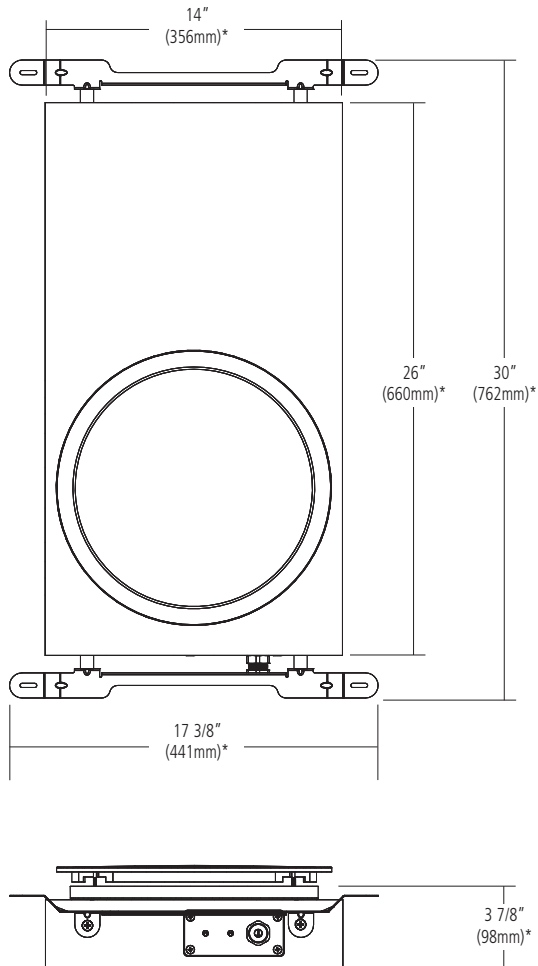
**DIGITAL  
CINEMA**

**AVAILABLE AT  
DIGITAL CINEMA**

The CSIW SUB10 is a new construction subwoofer created to isolate the sealed cabinet from the drywall, as well as minimize the protrusion of the grille from the surface of the drywall. The unique design couples the subwoofer cabinet to the stud beams and allows the grille to accommodate various wall thicknesses. A high excursion shallow driver delivers bass response that is both precise and plentiful.

- 10" Passive In-Wall Subwoofer
- High excursion, shallow driver with Glass fiber / PMI foam sandwich cone, dual rubber surround
- Designed for new construction
- Sealed Cabinet Design
- Dual mounting options included
- Rubber isolated mounting brackets
- Round and square grilles included
- Minimizes grille protrusion from the wall
- Ideal match with CS500W subwoofer amplifier
- Magnetic, small perforation grille
- Design and final voicing engineered by Paul Barton
- Gross Dimensions: 14 x 26 x 3 7/8" (W x H x D)

# CustomSound CSIW SUB10 In-wall Speaker



## Frequency Response

On Axis @ 0°±3dB 25-150Hz

## Sensitivity

Anechoic Chamber 88dB  
Listening Room 90dB

## Impedance

Nominal 8 Ohms

## Acoustic Design

Woofer (Nominal) 10" (254mm)  
Glass fiber / PMI foam sandwich cone  
Die Cast Basket  
Rubber Surround  
Balanced Drive motor structure

## CONSTRUCTION

Cabinet MDF  
Grille Magnetic, Small Perforation Metal

## Size (W x H x D)

Net W 14" (356mm)  
Net H 26" (660mm)  
Net D 3 7/8" (98mm)

## Shipping Information

Net W TBD  
Net H TBD  
Net D TBD  
  
Volume TBD  
Weight – Net TBD  
– Shipping TBD

**Note:** The PSB CS 500W Subwoofer Amplifier is specifically designed for the CSIW SUB10 and can power up to two subwoofers simultaneously.

REAL SOUND for REAL PEOPLE  
[www.PSBspeakers.com](http://www.PSBspeakers.com)