

CustomSound™ CSIW SUB28 In-Wall Subwoofer



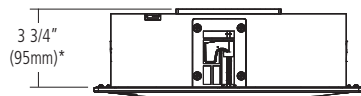
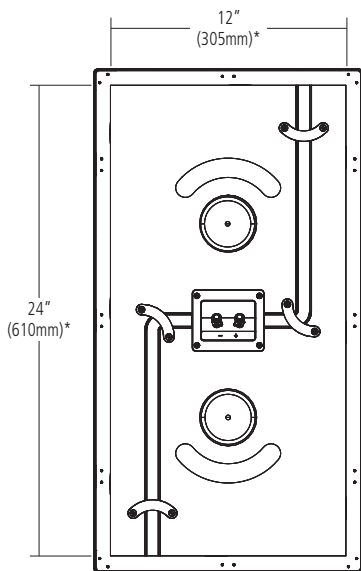
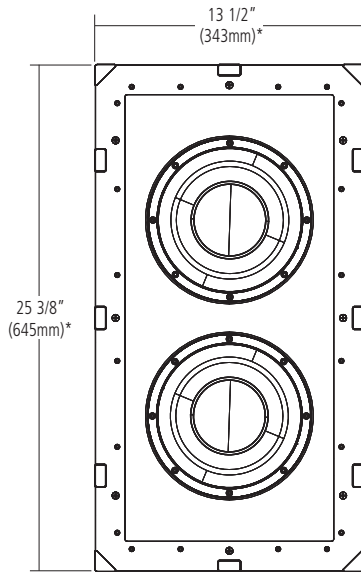
**DIGITAL
CINEMA**

**AVAILABLE AT
DIGITAL CINEMA**

The CSIW SUB28 is a sealed cabinet subwoofer with dual 8" high performance drivers capable of delivering detailed low frequency performance. Equipped with heavy duty nylon dog-ears, and a magnetic small perforation grille, the CSIW SUB28 can be used in both new construction or retrofit applications. Versatile, and easy to deploy, the CSIW SUB28 is a cornerstone of audio system design.

- Dual 8" Passive In-Wall Subwoofer
- Polypropylene cone, rubber surround
- Designed for both new construction or retrofit applications
- Sealed Cabinet Design
- High strength doglegs for easy installation and removal
- Magnetic, small perforation grille
- Design and final voicing engineered by Paul Barton
- Ideal match with CS 500W subwoofer amplifier
- Height: 25 3/8"
Width: 13 1/2"
Depth: 3 3/4"

CustomSound CSIW SUB28 In-Wall Subwoofer



Sound Pressure Level

Maximum @ 100Hz TBD

Sensitivity

Anechoic Chamber 87dB
Listening Room 89dB

Impedance

Nominal 4 Ohms

Acoustic Design

Woofer (Nominal) 2 x 8" (100mm)
Carbon Fibre Cone
Rubber surround
Steel Basket

Design Type Sealed Cabinet

CONSTRUCTION

Cabinet Metal
Grille – Grille Face Metal

Size (W x H x D)

Net W 13 1/2" (343mm)
Net H 25 3/8" (625mm)
Net D 3 3/4" (95mm)

Shipping Information

Net W 18 1/2" (470mm)
Net H 31 4/5" (808mm)
Net D 12 1/5" (310mm)

Volume 0.3 ft³ (8½ liters)

Weight – Net 26 lb (12 kg)
– Shipping 32.6 lb (14.8 kg)

Finish

Type White Paintable Grille

Note: The PSB CS 500W Subwoofer Amplifier is specifically designed for the CSIW SUB28 and can power up to two subwoofers simultaneously.

REAL SOUND for REAL PEOPLE
www.PSBspeakers.com