

Revel® I20/I30 In-Wall Loudspeaker

Owner's Manual



**AVAILABLE AT
DIGITAL CINEMA**



3 Oak Park, Bedford, MA, 01730-1413 USA | Telephone: 781-280-0300 | Fax: 781-280-0490 | www.revelspeakers.com

Customer Support: Telephone: 781-280-0300 | Sales Fax: 781-280-0495 | Service Fax: 781-280-0499

Please contact Customer Support for information about product shipments.

harman specialty group

Part No. 351814-002 | Rev A | 03/06

"Revel," and the Revel logo are registered trademarks of Harman International Industries. U.S. patent numbers and other worldwide patents issued and pending.

©2006 Harman Specialty Group. All rights reserved.

This document should not be construed as a commitment on the part of Harman Specialty Group. The information it contains is subject to change without notice. Harman Specialty Group assumes no responsibility for errors that may appear within this document.

TABLE OF CONTENTS

Documentation Conventions3

About the I20/I304
Highlights • Product Registration

Unpacking5

Loudspeaker Overview7
Driver Complement • Filter Network • Input Panel

Installation Considerations10
Loudspeaker Placement

Installation Instructions12

Making Connections16

Optimizing Performance18
Loudspeaker Volume

Specifications22
Dimensions

Obtaining Service23

Index26



DOCUMENTATION CONVENTIONS

This document contains general safety, installation, and operation instructions for the Revel I20/I30 In-wall Loudspeakers. It is important to read this document before attempting to use this product. Pay particular attention to safety instructions.

WARNING Calls attention to a procedure, practice, condition, or the like that, if not correctly performed or adhered to, could result in injury or death.

CAUTION Calls attention to a procedure, practice, condition, or the like that, if not correctly performed or adhered to, could result in damage to or destruction of part or all of the product.

Note Calls attention to information that is essential to highlight.

This owner's manual assumes that two I20/I30s are included in the loudspeaker setup.

ABOUT THE I20/I30

Thank you for purchasing the Revel I20/I30 in-wall Loudspeaker. Designed for discerning audiophiles, the I20 and I30 offer versatile, easily integrated in-wall loudspeakers that provide the superior, uncolored sound that is the hallmark of Revel loudspeakers. The I20 and I30 reproduce realistic, accurate signals with minimal coloration and distortion, making them perfect complements to Revel Ultima or Revel Performa front speakers in multi-channel setups. Proprietary transducers, sophisticated filter networks, and user adjustable compensation controls allow the I20/I30 to achieve remarkable sound quality and performance befitting the most demanding home entertainment systems.

The I20/I30 are also perfectly suited as front and surround speakers in complete in-wall setups, or as stereo pairs in secondary listening spaces, or for integration with flat screen television home theater installations. Unlike freestanding loudspeakers, the I20/I30 occupies no space in living areas and will not detract from the decor of the listening room. They are easily mounted in either pre-existing or new construction projects.

A critical aspect of loudspeaker design, transducers convert electrical signals into audible sounds, profoundly affecting loudspeaker performance. Combining superior form and function, the I20/I30 transducers feature a distinctive design that allows for smoother frequency response. The cones are constructed with Organic Ceramic Composite cone material to reduce distortion, while the spiders are constructed with a high-strength Nomex blend with optimized geometry for increased linearity.

A two-way design, the I20 transducers effectively cover a broad range of frequencies. A 7.5-inch (190.5mm) woofer delivers highly refined and dynamically authoritative

low frequencies down to the very lowest octaves. And, a 1-inch (25.4mm) titanium-dome tweeter reproduces high frequencies well above audible levels, with wide dispersion for open, airy treble.

A three-way design, the I30, in addition to its 9-inch (228.6mm) woofer and 1-inch (25.4mm) tweeter, also features a 3.5-inch (88.9mm) midrange, which handles critical mid-band frequencies with natural tonal balance over a wide operating range.

An advanced midrange (I30 only) motor structure includes two high-grade Neodymium magnets placed at the center of the motor structure, inside the voice coil, for improved magnetic shielding. Inside the motor, a black-plated steel shield cup facilitates heat dissipation for higher power handling. An integrated aluminum flux-stabilization ring minimizes modulation inside the motor's static gap flux field, greatly reducing distortion. A copper ring inside the motor's gap reduces distortion even further. Both rings are optimally sized and placed to maintain constant linear voice coil inductance with forward and backward motions.

The I20 has a high-order filter at 2.8kHz. In the I30, high-order filters at 300Hz and 2kHz optimize loudspeaker on and off-axis response, helping to ensure smooth octave-to-octave balance and timbral accuracy. The I20/I30 feature gold-plated binding posts that accommodate two connection methods, while separate High Frequency Tilt, Low Frequency Boundary Compensation, High Frequency Level and Listener Axis controls compensate for less-than-ideal listening room acoustics and loudspeaker placement.

Since 1996, Revel has stood at the forefront of loudspeaker design. Backed with Harman International's extensive research and design facilities, the Revel I20/I30 Loudspeakers benefit from cutting-edge tools such as a multi-channel listening lab



for double-blind listening tests; a laser interferometer for detailed driver analysis; real anechoic chambers for precise tests and measurements; finite element analysis for advanced loudspeaker modeling; and a stereo lithography apparatus for design verification.

Adding to the proud lineage of Revel's Ultima and Performa Series Loudspeakers, the I20/I30 further advances Revel's reputation as the leading designer and manufacturer of high-quality, high-performance loudspeakers.

HIGHLIGHTS I20/I30

- Exceptional accuracy
- Proprietary 7.5-inch (190.5mm)/9-inch (228.6mm) Organic Ceramic Composite woofer
- Proprietary 3.5-inch (88.9mm) Organic Ceramic Composite midrange (I30 only)
- Proprietary 1-inch (25.4mm) titanium-dome tweeter
- High output with low distortion
- Gold-plated binding posts
- High Frequency Level control
- High Frequency Tilt control
- Low Frequency Boundary Compensation control
- Listener Axis control
- Advanced woofer and midrange (I30 only) motor structure
- Large voice coils for wide dynamic range without compression
- Wall mounting frame which features spring-loaded clamps to securely anchor loudspeaker into wall opening

- Optional Rough-in Bracket for stud mounting prior to drywall installation (not included)

PRODUCT REGISTRATION

Please register the I20/I30 within 15 days of purchase. To do so, register online at www.revelspeakers.com or complete and return the included product registration card. The product registration card serves no warranty purposes. Retain the original, dated sales receipt as proof of warranty coverage.

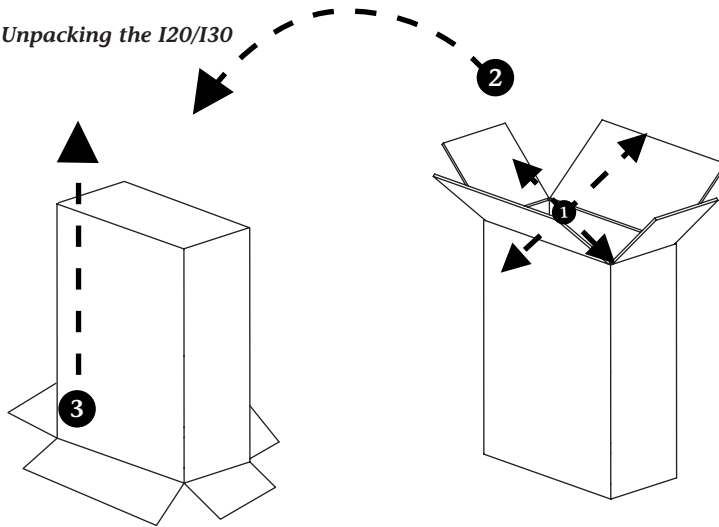
UNPACKING

The I20/I30 requires special care and handling during unpacking. Pay particular attention to the precautions that appear in this section and to other precautions that appear throughout this owner's manual.

When unpacking, save all packing materials for possible future shipping needs. Refer to the Obtaining Service section on page 24 for additional information.

Continued on next page

Figure 1: Unpacking the I20/I30

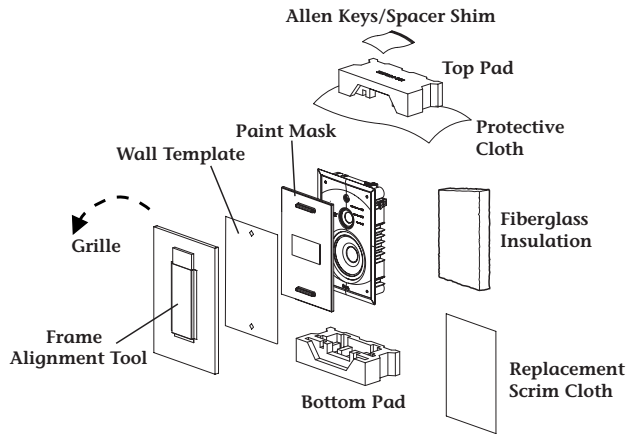


Unpacking (continued)

To unpack the I20/I30:

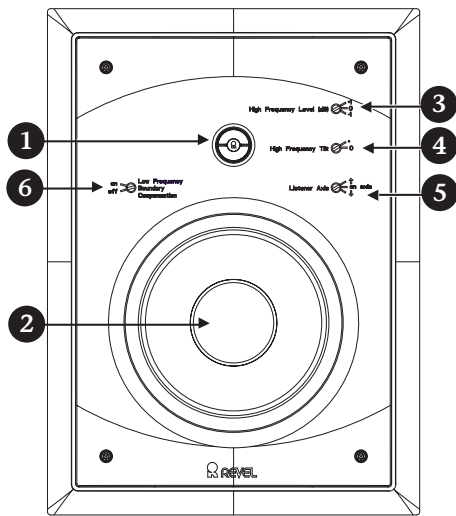
1. Place the packing carton in the upright position and fully open the top flaps as shown in step 1 of Figure 1 (above).
2. Without allowing the top flaps to close, move the outer packing carton into an inverted position as shown in step 2 of Figure 1 (above).
3. Lift the packing carton off of the loudspeaker as shown in Step 3 of Figure 1 (above). Use caution to avoid damaging the loudspeaker or frame clamps. At this point, the loudspeaker will be upside-down.
4. Remove the bottom pad. Then, remove the Frame Alignment Tool and grille from the grille filler. These items are identified in Figure 2 (right).
5. Set aside the wall template, paint mask, fiberglass insulation, spacer shim, replacement scrim cloth and allen keys.
6. Invert speaker so it is in the upright position.
7. When the I20/I30 is in the upright position, remove the top pad.
8. Leave the loudspeaker upright in the bottom pad until ready to install.

Figure 2: Packing Materials



LOUDSPEAKER OVERVIEW

Figure 3: I20 Speaker (Front View)



The numbers in Figure 3 (above) correspond with the numbered items in the Driver Complement section that begins in the next column.

DRIVER COMPLEMENT I20/I30

The numbers in Figure 3 (left) correspond with the numbered items in this section.

1. Tweeter

- 1-inch (25mm) titanium dome
- Under-hung with copper-clad aluminum wire for low distortion
- Ferrofluid for high-power handling with reduced compression

2. Woofer

- 7.5-inch (190.5mm)/9-inch (228.6mm) cones constructed with Organic Ceramic Composite cone material for low distortion
- True pistonic operation for increased freedom from coloration
- Symmetrical Field Gap design for low over-all distortion
- Aluminum ring for flux stabilization greatly reduces distortion at low frequencies
- Butyl rubber surround for large, linear excursion capabilities
- Carbon composite aluminum (CCA) flat-wire voice coil wound on a 1.5-inch (38.1mm) fiberglass bobbin for low mass and higher power handling
- Vented center pole for improved heat dissipation and low compression

Continued on next page

3. High Frequency Level (dB) Control

Provides a shift in the output level of the tweeter or overall high-frequency response (active above approximately 2.5kHz). The options are **-1dB**, **0dB**, and **+1dB**.

4. High Frequency Tilt Control

Adds a "tilt" to the high frequency response. The tilt will become active above approximately 8kHz (depart from nominally flat response) and will increase to 3-4dB at 20kHz. This will offer an improved high frequency response for installations where the primary listening position is located significantly off the tweeter axis (for an effect almost like adding "toe in" towards the listening position). The added high frequency contour helps to offset perceived reduction of high frequency response for off axis listeners due to the increase in directivity of the system (tweeter beaming) above 8kHz.

5. Listener Axis Control

All loudspeakers sound best when the listener is positioned at optimum angles relative to the speaker placement. This is a fixed angle for most loudspeakers, but the I20/I30 provides compensation for much greater placement flexibility. The listener axis control, used in conjunction with the placement of the speaker, can obtain excellent results in a very wide range of circumstances. This control optimizes system response for installations where the listening positions are lower, higher, or directly on level with the tweeter. This switch will be active in the network transition regions between the woofer and tweeter (in the I20) and the

midrange and tweeter (in the I30).

- Select the "high" (up arrow) setting if the speaker is mounted so that the listener is at tweeter level or above.
- Select the **on axis** setting if the listener position is located directly on axis with the tweeter level.
- Select the "low" (down arrow) setting if the speaker is mounted so that the listener is below tweeter level.

Note

In some circumstances, such as when the speaker is to be mounted high on the wall towards the ceiling, it may be desired to invert the speaker in order to place the tweeter axis closer to the listener's ear level. The Listener Axis Control will also optimize these inverted speaker installations. Refer to the Note on page 13 and the Optimizing Performance (page 18) section for additional information.

6. Low Frequency Boundary Compensation Control

Compensates for less-than-ideal speaker placement near adjacent walls or boundaries.

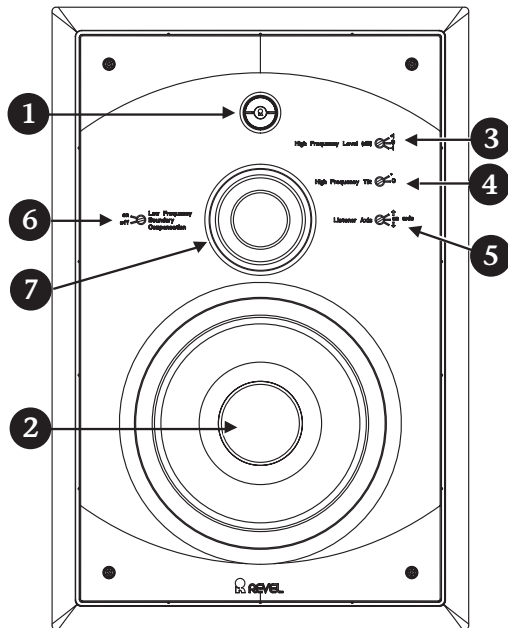
- Select the **off** setting if the speaker is mounted at least four feet away from adjacent walls or boundaries.
- Select the **on** position if the speaker is less than four feet from one (or possibly two) or more adjacent walls or boundaries. In the **on** position, system output is reduced below approximately 400Hz to offset the increased low frequency support due to the boundary.

Note

Refer to the Optimizing Performance section on page 18 for more information about the front panel controls.

Driver Complement *(continued)*

Figure 4: I30 Speaker (Front View)



The numbers in Figure 4 (above) correspond with the numbered items in the Driver Complement section that begins on page 7.

7. Midrange (I30 only)

- 3.5-inch (88.9mm) cone constructed with Organic Ceramic Composite material
- Die-cast basket to eliminate coloration from resonances
- True pistonic operation for increased freedom from coloration
- Two high-grade Neodymium magnets placed inside the voice coils for optimal magnetic shielding
- Symmetrical field gap design for low overall distortion
- 1.5-inch (38.1mm) voice coil wound on a fiberglass bobbin for high-power handling and low distortion

- Copper cap stabilizes inductance and controls flux modulation, dramatically reducing distortion.
- Optimized and shielded magnetic circuits to minimize harmonic distortion and prevent video monitor interference

FILTER NETWORK

Optimizes loudspeaker on and off-axis response with a high-order filter at 2.8kHz for the I20, and high-order filters at 300Hz and 2kHz for the I30, helping to ensure smooth octave-to-octave balance and timbral accuracy. Gold-plated binding posts accommodate heavy speaker cables, while separate Low Frequency Boundary Compensation, High Frequency Level, High Frequency Tilt and Listener Axis controls provide precise balance to compensate for less-than-ideal listening room acoustics and loudspeaker placement.

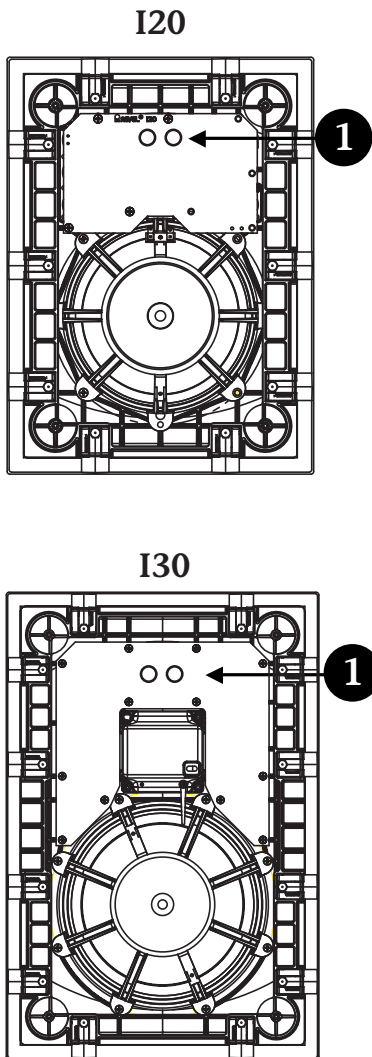
INPUT PANEL

Number 1 in Figure 5 (below) corresponds with the numbered item below.

1. Input Connectors

Provide input connections from the associated power amplifier/receiver(s). One positive (+) and one negative (-)

Figure 5: Rear of I20/I30



gold-plated binding post is available. Refer to the Making Connections section that begins on page 16 for additional information.

INSTALLATION CONSIDERATIONS

Loudspeaker fidelity depends on the following three factors:

1. Loudspeaker accuracy
2. Loudspeaker placement
3. Listening room acoustics

Advanced Revel design features allow the I20/I30 to achieve exceptional acoustical precision. However, proper placement and listening room acoustics have a significant impact on the I20/I30's performance.

Caution

- The I20/I30 should be installed by a professional.
 - Installers must adhere to local building codes to ensure a proper installation. Harman Specialty Group is not responsible for any possible damages caused by improper installation.
-

Continued on next page

Installation Considerations *(continued)*

LOUDSPEAKER PLACEMENT

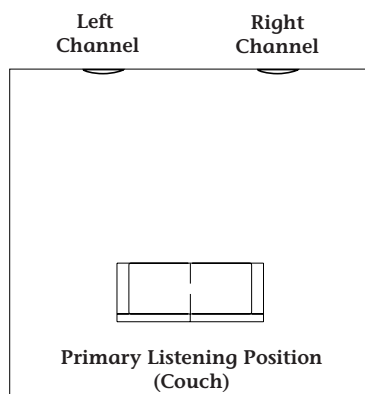
The I20 and I30 are designed to offer excellent performance in any listening room or home theater system. Abide by the following placement suggestions for optimal results.

2-Channel or Front Left and Front Right in a Home Theater System

The bulleted items that begin below indicate important loudspeaker placement considerations for 2-channel or front left and right installations.

- The speakers should be equidistant from the primary listening position and placed at least four feet away from the side walls.
- It is recommended that the angle formed between the speakers and the listening area be between 45 and 60°. For example, if the speakers are 8-feet apart, the listening position should be 8- to 12-feet from each speaker. Refer to Figure 6 (below).
- When used as part of a home theater system, excellent results can also be obtained when the speakers must be placed further apart due to a screen.

Figure 6: Two Channel Placement



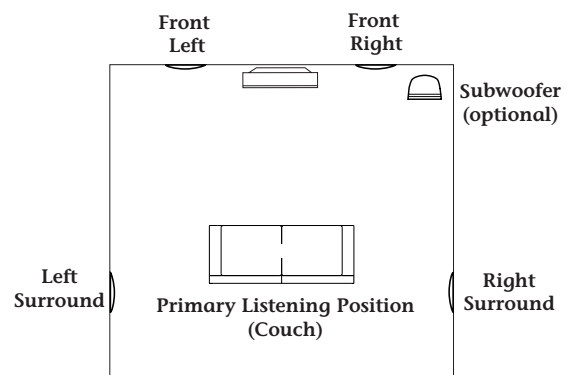
Surround Channels in a Home Theater System

The bulleted items that begin below indicate important loudspeaker placement considerations for surround channel installations for home theaters.

- When used as part of a 5-channel music or home theater system, the surround speakers should be placed slightly behind the primary listening position. Refer to Figure 7 (below).
- If there are several rows of seating, place the speakers perpendicular to, or slightly behind, the last row of seating.
- When used as part of a 7-channel music or home theater system, place the side speakers at the sides of the main listening position.
- If there are several rows of seating, place the speakers, as described above, perpendicular to the middle row of seating.

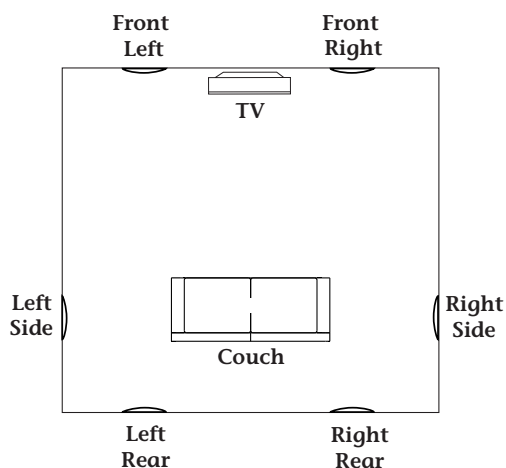
Continued on next page

Figure 7: Surround Channels



Loudspeaker Placement *(continued)*

Figure 8: Surround Channels with Rear Speakers



- The rear speakers should be placed along the rear wall facing the front of the room. Each rear speaker should be about one-third of the way into the room as shown in Figure 8 (above).

- Phillips head screwdriver
- measuring tape
- utility knife
- carpenter's level
- flat blade screwdriver
- stud finder

To install the I20/I30:

1. Locate the wall studs.
2. Use the supplied template to trace an outline to mark the desired location to mount the speaker system. Use caution to cut the hole approximately centered between wall studs, allowing at least 1-inch between the cutout and wall studs as shown in Figure 9 (below). Use carpenter's level to ensure a level measurement.

Continued on next page

INSTALLATION INSTRUCTIONS

For installations in new construction projects, use the Revel I20/I30 In-Wall Rough-in bracket which should be installed by a professional. Refer to the Revel I20/I30 In-Wall Rough-in Bracket Installation Instructions for more information.

The Revel I20 and I30 in-wall speakers were designed to be easily installed into existing walls. It is recommended that they be professionally installed. The following tools are required for installation:

- (4) allen head screws (included)
- 5/32-inch allen key (included)
- 1/16-inch allen key (included)
- cardboard installation template (included)
- pencil

Figure 9: Use wall template

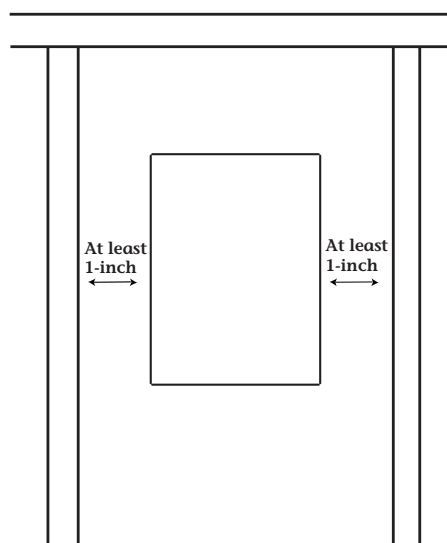
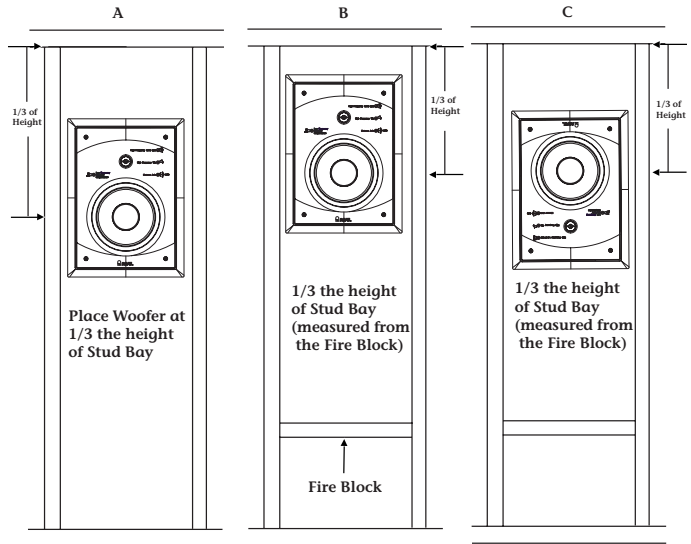


Figure 11: Ideal Height of Woofer

Note

- The height of the woofer within the stud bay relative to the entire height of the bay is critical because of standing waves within the cavity.
- Before installation, determine the height of the cavity. (There might be a fire block that makes it shorter than the entire height from the floor to the ceiling). Avoid placing the woofer at the very top or bottom of the stud bay, as this would cause a serious cancellation of low frequency output.
- The ideal location for the woofer (whether the speaker is mounted upright or inverted) is at the one-third distance point as shown in example A of Figure 11 (next column). If that is not feasible, then two-fifths, or one-fifth of the height are the next best alternatives. The least desirable position to place the woofer is at one-half or one-fourth of the height. If a fire block is completely dividing the bay, the measurement would be from the fire block – not the floor or ceiling as shown in example B of Figure 11 (next column). Example C shows an inverted speaker placement.

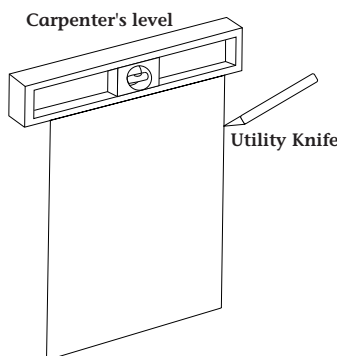


2. With a utility knife, cut the wall opening as shown in Figure 10 (previous column).

- Use caution not to cut into any electrical wiring or plumbing. Run the wiring from your system to the hole. (Be sure to comply with local wiring codes).
- The measurements of the opening(s) required to mount the Revel in-wall frames are listed below:
- Revel I20
Width: 10.5-inch (266.7mm)
Height: 14.875-inch (377.8mm)
- Revel I30
Width: 12.5-inch (317.5mm)
Height: 19.125-inch (485.8mm)

3. The speakers are shipped with the baffle assembly attached to the mounting frame at its four corners. Unscrew the four screws and carefully lift the baffle assembly out of the mounting frame as shown in Figure 12 (next page).

Figure 10: Cut wall opening



Continued on next page

Installation Instructions (continued)

Figure 12: Remove Baffle from Mounting Frame

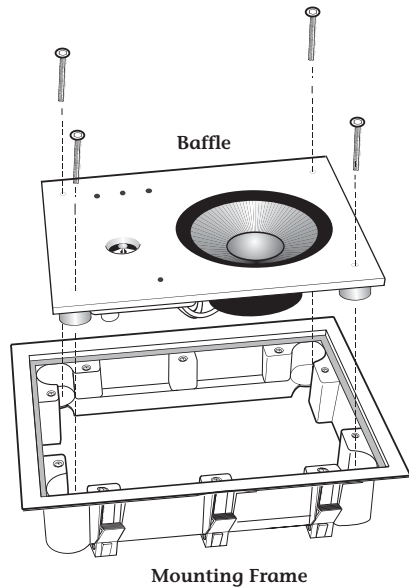


Figure 13: Clamp Closeup

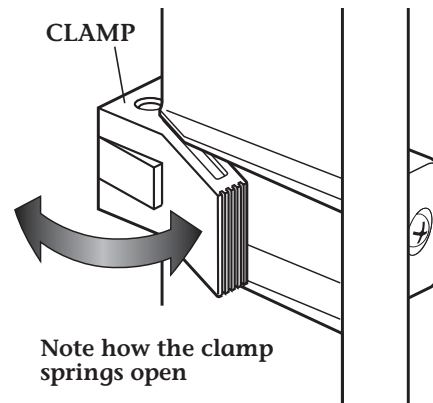
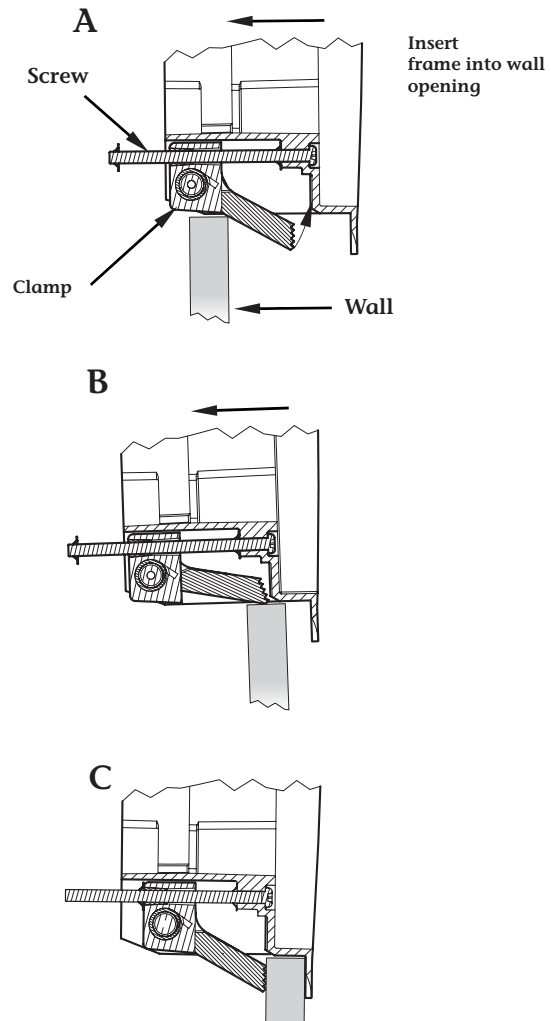


Figure 14: Clamp Mechanism



3a. (Optional)

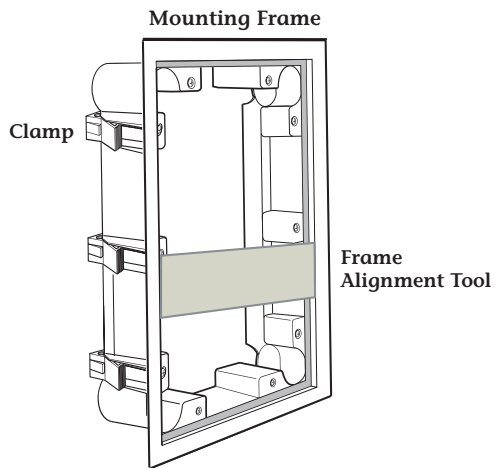
It is recommended that the frame be painted before it is mounted. For instructions on painting the frame and grille, refer to page 19.

4. The mounting frame has spring-loaded clamps around its perimeter, which are designed to fold shut as the mounting frame is placed into the wall opening and spring open once inside, anchoring the mounting frame in the wall opening. See Figure 13 (next column) and Figure 14 (next column). Loosen all clamp screws until the clamps are fully extended.
5. Snap the mounting frame into the cutout.
6. Be sure to run the speaker wire in through the rear opening.

Continued on next page

Installation Instructions *(continued)*

Figure 15: Frame Alignment Tool



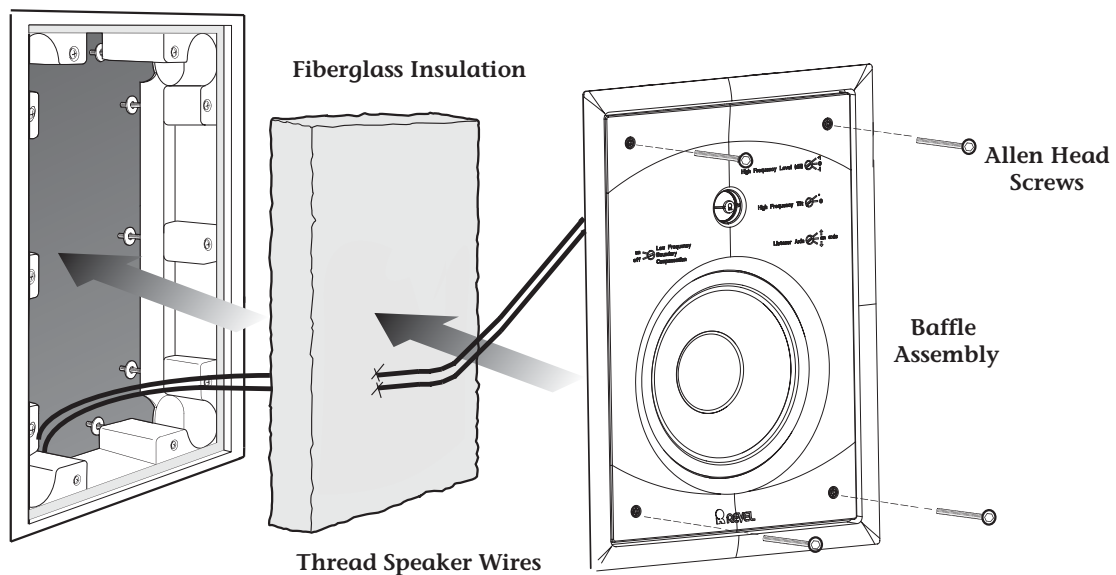
7. Insert the Frame Alignment tool horizontally into the center of the frame. This tool functions as a frame spreader, while the clamps are being tightened, as shown in Figure 15 (above).
8. Starting from the lower right corner and working in a diagonal torque sequence, use a power screwdriver to tighten each of the clamp screws (only until almost snug). If needed, adjust

the mounting frame so it is level and centered in the cutout.

9. Perform a final torque sequence. Hand-tighten frame screws and check each screw at least twice to make sure they are fully tightened to prevent rattles.
10. Remove the Frame Alignment Tool.
11. Place the included fiberglass insulation in the back of the mounting frame as shown in Figure 16 below. If desired, cut an "x" into the insulation and thread wire(s) through.
12. Make speaker wire connections. Refer to the Making Connections section on page 16 for instructions.
13. Slide the baffle into place into the mounting frame.

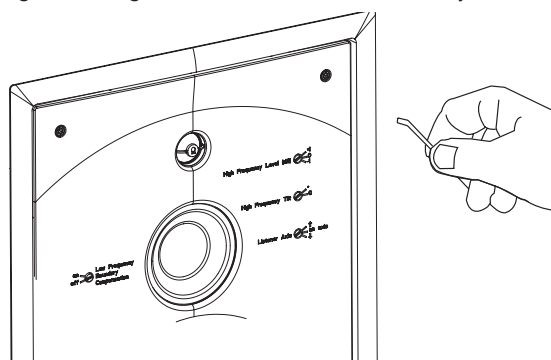
Continued on next page

Figure 16: Install the Insulation and Baffle



Installation Instructions *(continued)*

Figure 17: Tighten Allen screws with Allen key wrench



Note

Be sure that the speaker wires are clear of the woofer basket and not too close to the woofer cone. Ensure wires do not get pinched between the baffle and the mounting frame. Refer to Figure 16 (previous page).

14. Use the spacer shim to center the baffle inside of the frame while securing with four 10-32x2.25-inch screws. Loosely tighten the screws while using the spacer on bottom side. Remove spacer and gauge the other three sides before starting final torque sequence. Proper centering of the baffle is critical to the grille fitting properly.
15. Use the included 5/32-inch allen key to tighten until snug as shown in Figure 17 (above).

MAKING CONNECTIONS

The I20/I30 features gold-plated binding posts that allow for two methods of connecting the speaker wires.

CAUTION

Never make or break connections unless all system components are powered off.

Before making connections, note the following:

- Make all connections observing the proper polarity, positive-to-positive (+) and negative-to-negative (-). Connections that do not observe the proper polarity will cause poor stereo imaging and diminished bass response.
- Use high-quality loudspeaker cable with a maximum total loop resistance of 0.07ohms or less (for each wire run). Refer to the table in the below to determine the appropriate maximum wire gauge.
- All in-wall speaker wires must be UL listed for use in in-wall applications.

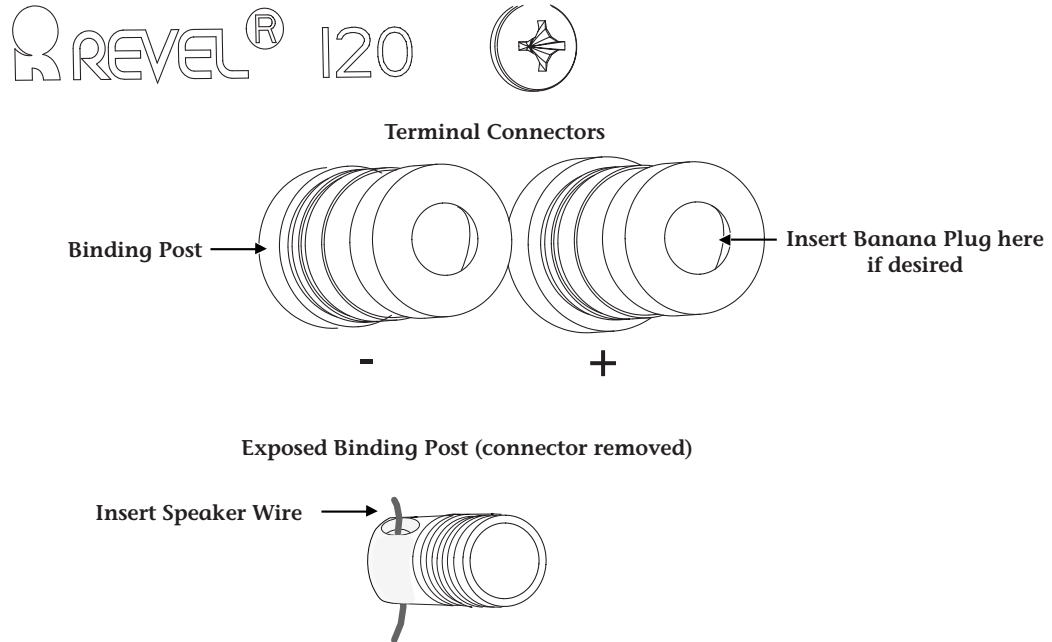
Caution

Be sure to comply with local wiring codes. Harman Specialty Group is not responsible for any damages or injuries that may result from faulty wiring.

Maximum Wire Gauge

| Gauge (AWG) | Length (Feet) | Length (Meters) |
|-------------|---------------|-----------------|
| 6 | 87 | 27 |
| 7 | 69 | 21 |
| 8 | 58 | 18 |
| 9 | 43 | 13 |
| 10 | 34 | 10 |
| 11 | 27 | 8 |
| 12 | 22 | 7 |
| 13 | 17 | 5 |
| 14 | 14 | 4 |
| 15 | 11 | 3 |
| 16 | 9 | 3 |
| 17 | 7 | 2 |
| 18 | 5 | 2 |

Figure 18: Making Connections



Making Connections *(continued)*

Note

High loop resistances that exceed 0.07ohms (for each wire run) will cause the filter network to mis-terminate, resulting in considerable degradation of sound quality.

- If desired, contact an authorized Revel dealer for information about the suitability of power amplifier/receiver components before connecting the I20/I30 to the associated power amplifier/receiver.
- Review the owner's manuals for associated audio components to determine their connection procedures.

Connections are made between one pair of I20/I30 input connectors and one amplifier/receiver output channel as described below.

To make connections:

1. Loosen the terminal connectors by hand (counterclockwise) on the speak-

ers' positive (+) and negative (-) binding posts until the holes in their threaded posts are visible.

2. Insert the stripped ends of the wires through the holes as shown in Figure 18 (above).
3. Retighten the connectors by hand (clockwise) to secure the wire. Be sure no stray strands of wire from one binding post touch the other binding post as this will short out the signal and may damage the amplifier.
4. In the manner described above, connect one pair of loudspeaker wires to the I20/I30 input connectors. Then, connect the same pair of loudspeaker wires to the desired amplifier/receiver output channel.
5. Repeat steps 1 to 4 to connect the second I20/I30 to a separate amplifier/receiver output channel.

Continued on next page

Making Connections *(continued)*

An alternative connection method, instead of those described in steps 1 to 3, is to attach standard banana plugs to the speaker wires and plug them into the ends of the speaker connectors. See Figure 18 (previous page).

OPTIMIZING PERFORMANCE

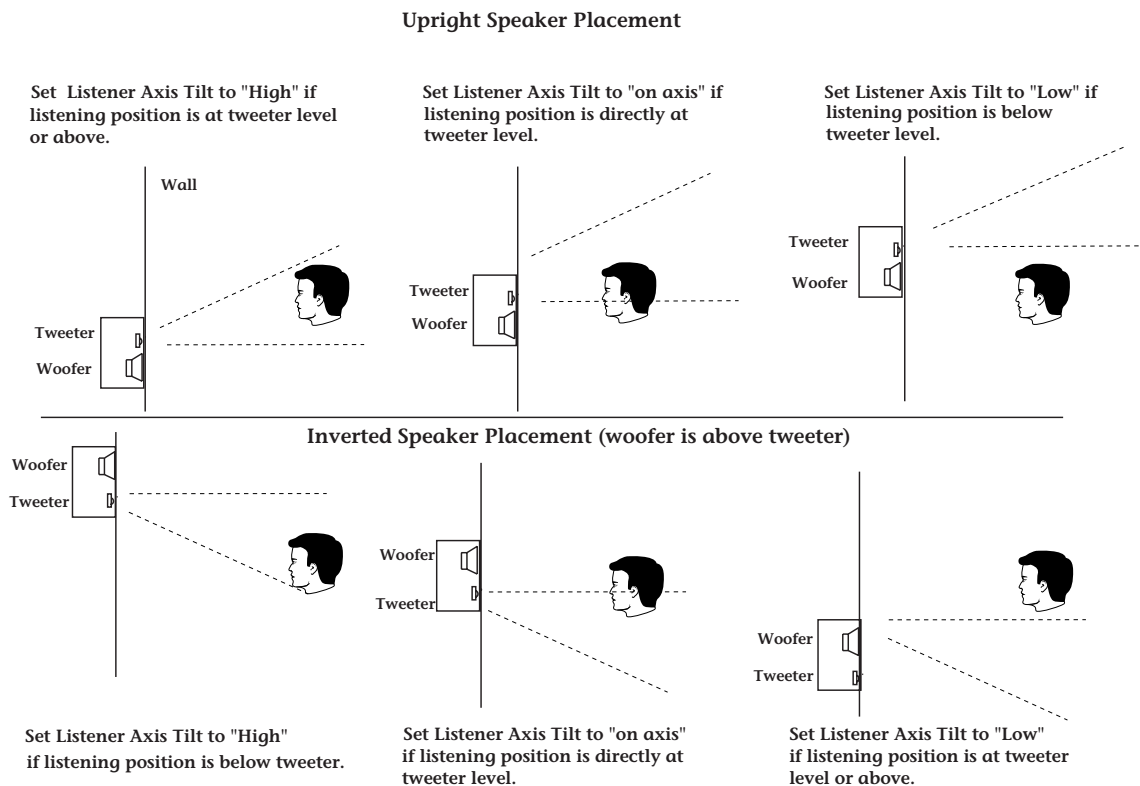
It is highly recommended to make front panel control adjustments before installing the grille. Experiment with settings and carefully listen to ensure that the proper adjustments have been made.

To optimize the I20/I30 for best performance:

1. Refer to the Loudspeaker Placement section that begins on page 10 for information about loudspeaker installation.
2. Set the High Frequency Level control to 0. (Different listening rooms may require other High Frequency Level control settings).
3. Set the Low Frequency Boundary Compensation control to the appropriate position.
 - Select the **off** setting if the speaker is mounted at least four feet away from adjacent walls or boundaries.
 - Select the **on** setting if the speaker is mounted close to one (or possibly two) or more adjacent walls or boundaries. In the "on" position, system output is reduced below approximately 400Hz to offset the increased low frequency support due to the boundary.
4. Begin playback of a familiar music or film source.

Continued on next page

Figure 19: Listener Axis Control



Optimizing Performance *(continued)*

5. Listen from the primary listening position, increasing volume to a comfortable level.
6. Adjust the High Frequency Level control on each I20/I30 to change high-frequency balance and timbre.
7. Adjust the Listener Axis control depending on the position of the primary listening location. Refer to Figure 19 (previous page).
 - Select the “high” (up arrow) setting if the speaker is mounted so that the listener is above the tweeter level.
 - Select the “on axis” setting if the listener location is directly on axis.
 - Select the “low” (down arrow) setting if the speaker is mounted so that the listener is significantly below the tweeter.

When the loudspeaker has been mounted upside-down, (with the woofer higher than the tweeter), refer to Figure 19 (previous page). The listener axis control settings function in the opposite manner as normal operation:

- Select the “low” setting if the speaker is mounted so that the listener is at tweeter level or above.
 - Select the “high” setting if the speaker is mounted so that the listener is below the tweeter.
8. Repeat these steps to optimize performance of the second I20/I30.

Note

For best results, set the High Frequency Level, High Frequency Tilt, and the Listener Axis controls to the same positions on both loudspeakers.

Painting the Frame

Proper surface preparation is critical for best results. Use spray, roller (smooth), or a pad to apply the paint. Clean and prime the frame surface prior to painting.

1. Place frame on a protected work surface.
2. Install plastic paint mask (included) into the frame.
3. Clean front edges of frame face by gently rubbing with a soft rag dampened with rubbing alcohol.
4. Apply one coat of white or neutral color water-based primer and let dry.
5. Apply one to two coats of paint for desired finish.

Painting the Grille

For best results it is recommended that the grille be painted with a spray applicator to enable the paint to be evenly applied to the inside edges of the grille's perforations. The following items are required to paint the grille:

- the grille (included)
- replacement scrim cloth (included)
- spray paint
- paint thinner (and cloth)
- rubbing alcohol (and cloth)
- white or neutral color water-based primer
- masking tape
- spray adhesive

Continued on next page

Caution

The grille must be painted before it is attached to the frame.

To paint the grille:

1. Remove the grille from the grille filler.
2. Remove the scrim cloth on the inside surface of the grille. If necessary, slightly peel up the lower inside edges of the black felt strips to remove the scrim.
3. Inspect the inside surface of the grille to ensure that there are no remnants of the scrim cloth. If necessary, remove any remnants by rubbing with a cloth dampened with paint thinner.
4. Clean the front grille surface with a cloth dampened with rubbing alcohol.
5. Apply masking tape over the black felt strips around the grille perimeter to shield them from paint. Be sure to mask only the felt and not the outer metal edges of the grille so that they will be painted.
6. Apply one coat of the primer and let dry.
7. Thin the paint before application.
8. Apply one to two coats of spray paint. Use a varied spraying angle when spraying to ensure paint is applied to the inside edges of the grille perforations.

After the paint is dried, install the replacement scrim cloth if desired. **To attach the replacement scrim cloth:**

1. Place the grille face down on a soft surface.
2. If paint thinner was used to remove scrim remnants, apply a light coating of a spray adhesive to the inside grille surface. Avoid spraying adhesive onto the felt strips. If too much adhesive is used, it could wick into the cloth and degrade the sound.
3. Place the replacement scrim cloth in the grille with the cardboard side facing upward (so that the cardboard is not visible through the front of the grille).
4. Tuck the outer edges of the scrim cloth cardboard frame under the black felt strips and gently smooth the scrim cloth over the grille surface to remove any wrinkles.

Attaching the Grille to the Frame

To attach the grille:

1. Line the grille up to the frame and press the grille in only partially at first.
2. Push gently at multiple points around the outer edges to slowly ease it into position.

Note

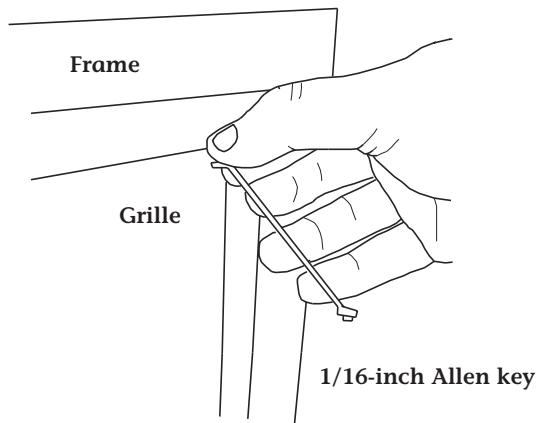
Configure the four front panel controls and experiment until optimum results are achieved before installing the grille.

Grille Removal

To remove the grille:

1. Insert the small end of the included 1/16-inch allen key into one of the metal mesh holes in the top corner of the grille as shown in Figure 20 (below).
2. With the end of the allen key in the grille hole approximately 1/8-inch, with thumb and forefinger close to the grille, pull up on the allen key to wedge it into the grille hole.
3. Gently pull the allen key to partially pop out the corner of the grille.
4. Repeat steps 1 to 3 for the other top corner.
5. Apply steps 1 to 4 for the bottom corners.
6. When all corners are partially popped out, the grille can easily be removed.

Figure 20: Removing the Grille



CAUTION

Do not attempt to pry the grille out using the allen key (or any other object) as a pry bar against the plastic frame. This will cause damage to the frame and mar the paint.

Speaker Frame Removal

To remove the speaker frame from wall opening:

1. Fully unscrew all of the clamps around the speaker housing. The clamp screws have an acorn nut attached on their end to prevent accidental disassembly.
2. Move the speaker housing away from the wall enough to wedge your hand behind and pinch a clamp shut.
3. While the clamp is shut, work the speaker housing forward enough to catch the shut clamp in the wall opening.
4. Work around the perimeter, carefully closing each clamp and then slowly pull the speaker housing from the wall.

LOUDSPEAKER VOLUME LEVELS

High-order filters include steep cut-offs to reduce potential damage from “out-of-band” frequencies. Combined with carefully selected transducers and filter network components, this approach helps the I20/I30 to maintain its performance under extreme operating conditions.

However, all loudspeakers have limits when it comes to continuous playback. To extend these limits, avoid playback at volume levels that distort or strain sound.

SPECIFICATIONS

| Specification | I20 | I30 |
|--|-----------------------|------------------------------|
| Woofers | 7.5-inch (190.5mm) | 9-inch (228.6mm) |
| Midrange | N/A | 3.5-inch (88.9mm) |
| Tweeter | 1-inch (25.4mm) | 1-inch (25.4mm) |
| System Frequency Response ($\pm 3\text{dB}$) | 40Hz - 20kHz | 32Hz - 20kHz |
| Sensitivity | 87dB | 89dB |
| Recommended Amplifier Power Range | 15 to 150 Watts | 15 to 200 Watts |
| Nominal Impedance | 8 Ohms | 8 Ohms |
| Crossover Frequency | 2.8kHz 24dB/octave | 300Hz 2kHz 24dB/octave |
| Width | 11.811-inches (300mm) | 13.583-inches (345mm) |
| Height | 16.063-inches (408mm) | 20.315-inches (516mm) |
| Depth | 3.5-inches (88.9mm) | 3.5-inches (88.9mm) |
| Wall Cutout Width | 10.5-inch (266.7mm) | 12.5-inch (317.5mm) |
| Wall Cutout Height | 14.875-inch (377.8mm) | 19.125-inch (485.8mm) |

Specifications are subject to change without notice.

OBTAINING SERVICE

Before returning a product for warranty or non-warranty service, contact Harman Specialty Group Customer Support to determine the extent of the problem and to obtain a Return Material Authorization (RMA) number. No products will be accepted without an RMA number issued from Harman Specialty Group.

If a Revel product must be returned for repair, Harman Specialty Group will assume no responsibility for the product during shipment from the customer to Harman Specialty Group, whether the product is or is not covered under warranty.

All returns must be:

- well-packaged using the original packing materials (if possible)
- properly insured and consigned
- pre-paid to a reliable shipping agent

The following information must be included when a loudspeaker is returned for service:

- name
- company name
- street address, city, state, and zip code
- telephone number, including area code and country code (if applicable)
- product serial number
- a detailed description of the problem
- the preferred method of return shipment
- RMA number clearly marked on both the inside and outside of the package

Do not return accessories such as owner's manuals unless instructed to do so.

To contact Harman Specialty Group Customer Support:

Telephone: 781-280-0300

Service Fax: 781-280-0499

Sales Fax: 781-280-0495

www.revelspeakers.com

Index

2-channel installations, 11

5-channel installations, 11

A

About the, I20/I30, 4

Highlights, 5

Product Registration, 5

Unpacking, 5

allen key, 16, 21

Aluminum ring, 7

Amplifier Power Range,
Recommended, 22

B

baffle assembly, 13, 14, 15, 16

baffle, centering of, 16

banana plugs, 18

binding post, 16, 17

C

CAUTION, 3, 10, 16, 21

clamp, 15

clamps, 14, 21

Compression, 5, 7

Cones, 4, 7

Connections, 4

Input, 10

Making, 16

connectors, 17

D

Depth, 22

Distortion, Reducing, 4, 5, 7

Documentation Conventions, 3

Dome. See Cones.

Driver Complement, 7-9

Dynamic Range, 5

F

fiberglass insulation, 6, 15

Filter Network, 9, 17

Filters, 4, 9

fire block, 13

Frame Alignment Tool, 6, 15

G

grille, 19, 20

Grille Removal, 21

H

Heat Dissipation, 4, 7

Height, 13, 22

High Frequency Level, 4, 5, 8,
16, 18, 19

High Frequency Tilt, 4, 5, 8

HIGHLIGHTS, 5

home theater, 4, 11

I

I20/I30, 4

Ideal Height, of woofer, 13

Input Channels, 10, 17

Input Panel, 10

Installation Considerations, 10

Installation Instructions, 12

inverted speaker, 13

L

Listener Axis, 4, 5, 8, 18, 19

Listening Room, 18

Loudspeaker Cable, 16

Loudspeaker Overview, 7

Loudspeaker Placement, 4, 9, 10,
11, 12

Loudspeaker Volume Levels, 21

Low Frequencies, 4

Low Frequency Boundary
Compensation, 4, 5, 8, 18

M

Magnetic Shielding, 4

Making Connections, 16-18

Maximum Wire Gauge, 16

Midrange, 4, 5, 9, 22

mounting frame, 13, 14, 15, 16

N

Nominal Impedance, 22

Note, 3, 17, 19

O

Obtaining Service, 23

on axis, 8, 19

On-Axis Response, 4, 9

Optimizing Performance, 18

Organic Ceramic Composite
Cone Material, 4, 5, 7

P

Packing Carton, 5, 6, 23
Packing Materials, 6
paint mask, 6
Painting the Frame, 19
Painting the Grille, 19
Polarity, 16
Primary Listening Position, 19
Product Registration, 5

R

Rear Speakers, 12
Removing the Grille, 21
Rough-in Bracket, 5, 12

S

Sensitivity, 22
Shipping, 5, 23
spacer shim, 6, 16
Speaker Frame Removal, 21
speaker wire, 14, 16, 18
Specifications, 22
Spider, 4
Steel Shield Cup, 4
Stereo Imaging, 16
stud bay, 13
Surround Channels, 11, 12

T

Table of Contents, 2
terminal connectors, 17
Timbre, 4, 19
Transducers, 4
Treble, 4
Tweeter, 4, 5, 7, 19, 22

U

UL listed, 16
Unpacking, 5, 6

V

Voice Coil, 4, 5, 7
Volume Levels, 19

W

Wall Cutout Height, 22
Wall Cutout Width, 22
wall openings, 13
wall studs, 12
wall template, 12
Warning, 3
Warranty, 5, 23
website, 23
Width, 13, 22
wire connections, 15
wiring codes, 13, 16
Woofers, 4, 5, 7
woofer height, 13
Woofers, 4, 5, 7



3 Oak Park, Bedford, MA, 01730-1413 USA | Telephone: 781-280-0300 | Fax: 781-280-0490 | www.revelspeakers.com

Customer Support: Telephone: 781-280-0300 | Sales Fax: 781-280-0495 | Service Fax: 781-280-0499

Please contact Customer Support for information about product shipments.

harman specialty group

Part No. 351814-002 | Rev A | 03/06