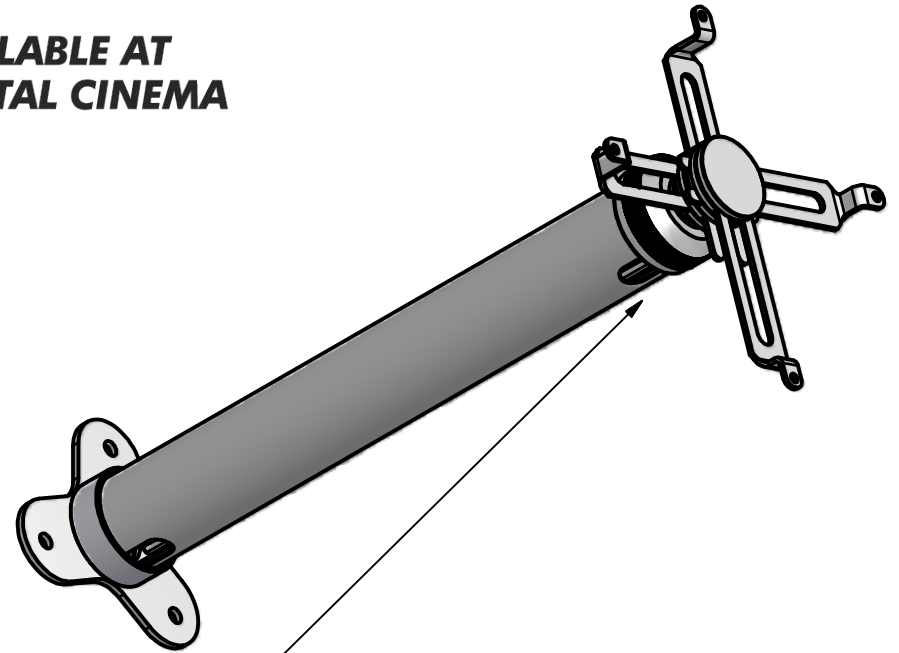
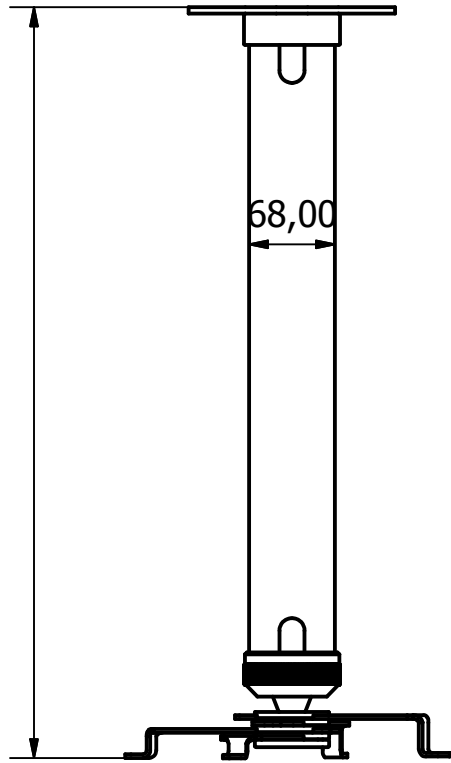


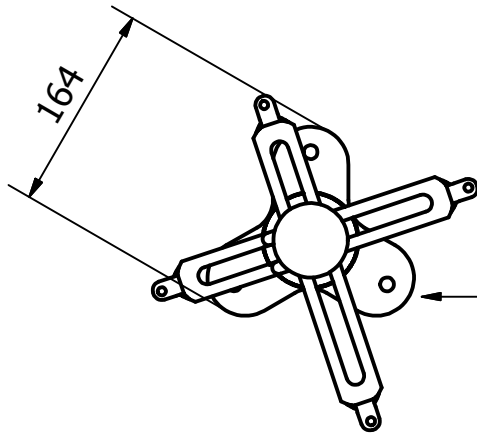
**DIGITAL  
CINEMA**

**AVAILABLE AT  
DIGITAL CINEMA**

THIS SIZE IS AS PER PRICE LIST



FOR CABLE MANAGEMENT



ARMS ARE ADJUSTABLE TO SUIT PROJECTOR

3 OFF HOLES 11mm DIA

AVAILABLE IN BLACK, WHITE AND GREY

<b>SCREEN</b> TECHNICS® www.screentechnics.com.au Ph: 612 4869 2100 Email: info@screentechnics.com.au	Designed By Shane Collins	Static Projector Bracket		
	Approved By			
<small>The Concept, Design and Details in this drawing are the property of Screen Technics Pty Ltd with whom the copyright resides. They may not be reproduced without written permission of Screen Technics Pty Ltd.</small>	Date 2/07/2008	Part Number Static Pole	Rev	Sheet 1 / 1