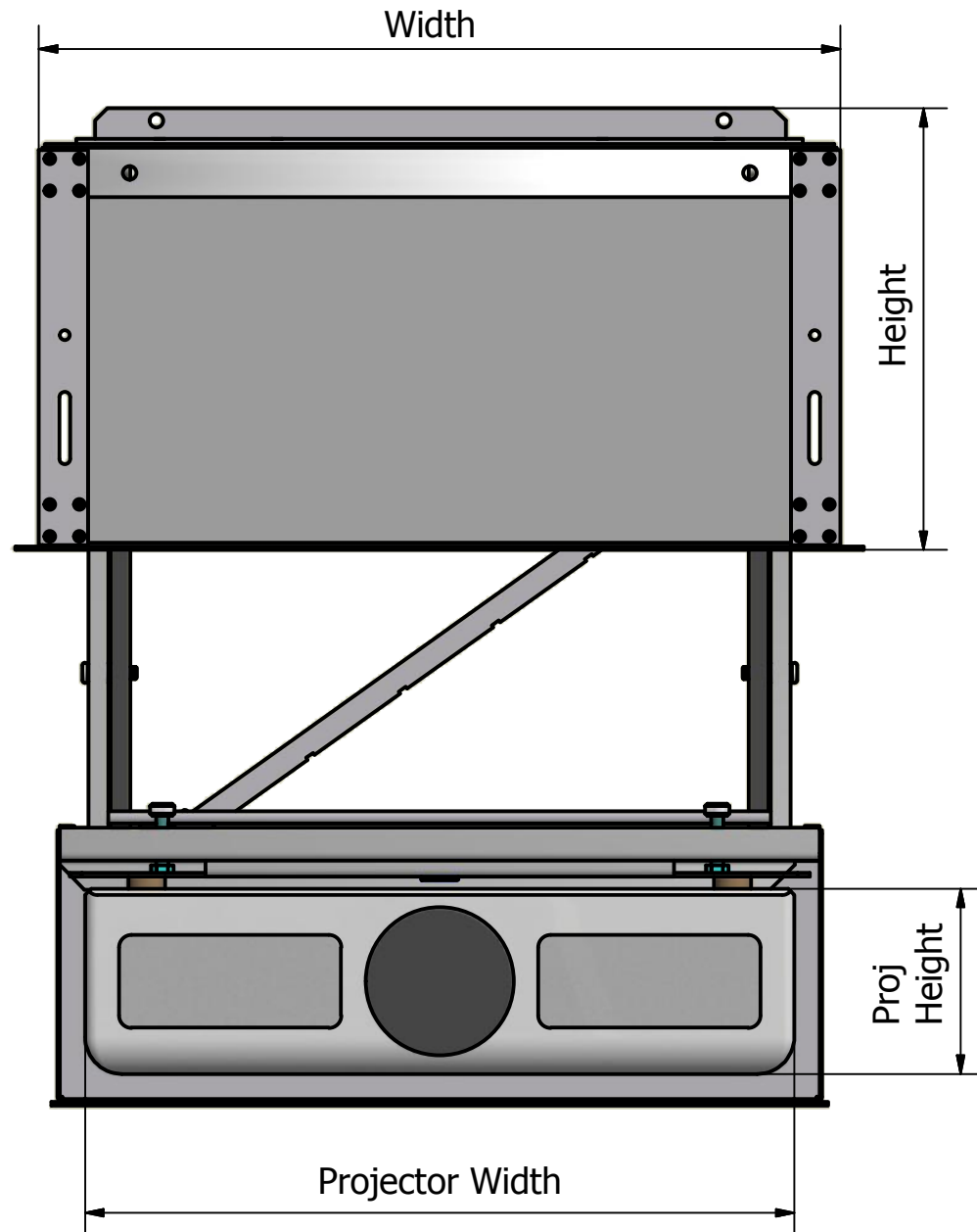


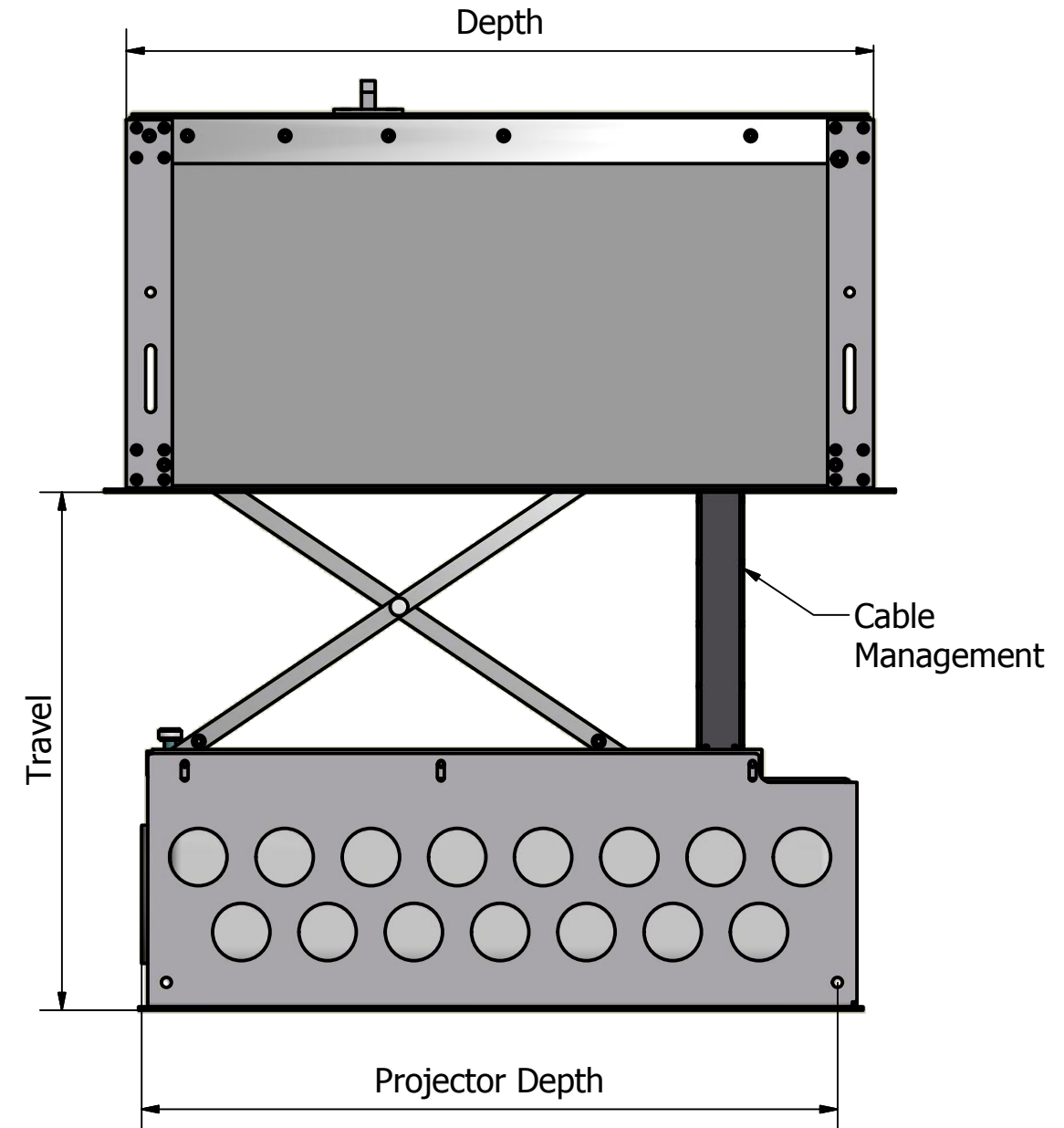


**AVAILABLE AT
DIGITAL CINEMA**

Front View Projector Down



Side View Projector Down



Manufacturing tolerance +/- 5mm
All dimensions are in (mm)
If installed in ceiling always allow
for removal for servicing.

<p>Ph: 612 4869 2100 Email: info@screeentechnics.com.au</p> <p><small>The Concept, Design and Details in this drawing are the property of Screen Technics Pty Ltd with whom the copyright resides. They may not be reproduced without written permission of Screen Technics Pty Ltd.</small></p>	Projector Lifts			
	Date 25/03/2014	Part Number 14xxxxxx	Rev 1	Sheet 1 / 3

PRODUCT FEATURES

Description: In-ceiling motorised projector lifter

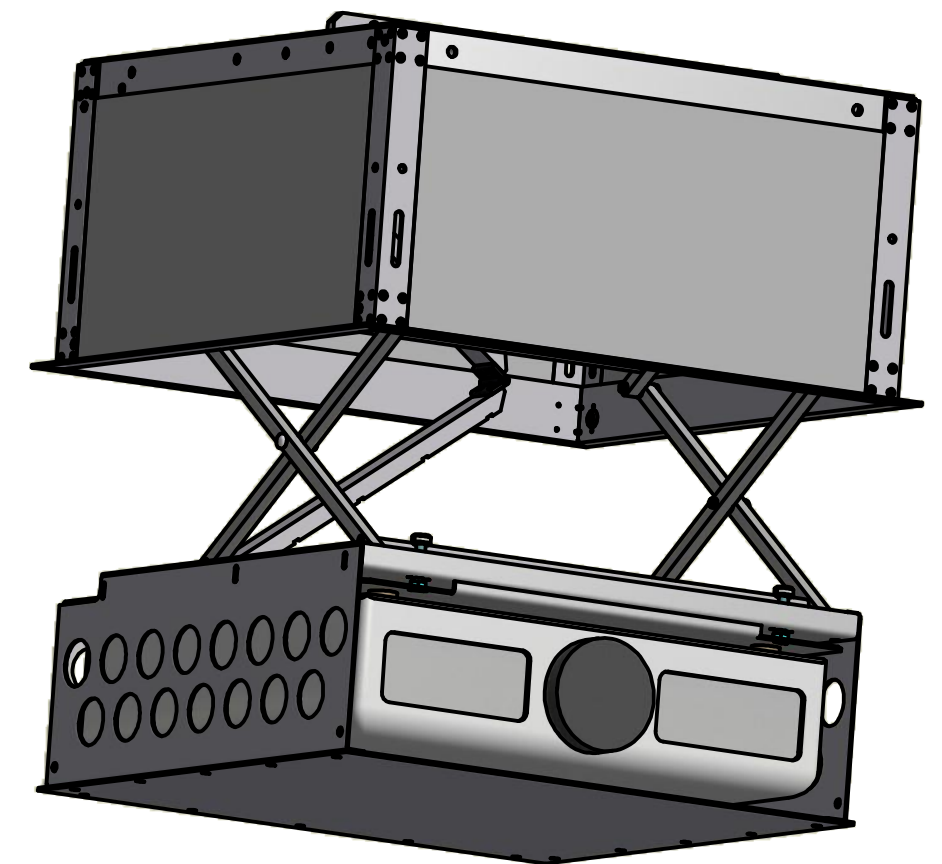
Construction: Powder coated aluminium frame & mechanism

Features: Full cable management system, Connect Control Module, ceiling edge strip, Removable shroud for cable access. All lifts over 600mm travel have a separate fall arestor and the larger units have 2 off.

Lifters 600mm and below travel will stop at full travel by a hard stop. If this could lead to personal injury please consider adding a fall arrestor to the lift. Cost and height of unit will increase.

Control: IR Remote and Dry Contact Closure as standard, and the ability to link to other Connect controlled devices, such as ElectriCinema Projection Screens
FVI lifters have a encoder providing 3 adjustable stop positions (store, show and service)

Projector Lifts								
Lifter Dimensions					Max Projector Dimension inc Cables & Lens			
Item No	Travel	Width	Depth	Height	Width	Depth	Height	Max Load kg
141020AW	200	426	426	225	384	384	140	20
141020AZ	200	426	426	205	384	384	120	20
141024BW	250	460	460	225	418	418	140	20
141024BX	250	460	460	255	418	418	175	20
143030CW	280	550	550	245	508	508	140	25
143030CX	280	550	550	285	508	508	175	25
143030DV	320	650	650	360	608	608	250	35
143030DW	320	650	650	240	608	608	140	35
143030DX	300	650	650	285	608	608	175	35
143030DY	320	650	650	330	608	608	220	35
143030FV	300	800	800	510	750	750	250	50
143060CW	600	550	550	245	508	508	140	25
143060CX	600	550	550	285	508	508	175	25
143060DV	695	650	650	360	608	608	250	35
143060DW	700	650	650	245	608	608	140	35
143060DX	650	650	650	290	608	608	175	35
143060DY	690	650	650	330	608	608	220	35
143060FV	600	800	800	510	750	750	250	50
143090CX	900	550	550	405	508	508	175	25
143090DW	900	650	650	390	608	608	140	35
143090DX	1000	650	650	390	608	608	175	35
143090DY	1000	650	650	440	608	608	220	35
143090FV	900	800	800	540	750	750	250	50
143120DY	1300	650	650	440	608	608	220	35
143120FV	1200	800	800	540	750	750	250	50
143170DY	1700	650	650	470	608	608	220	35
143200DY	2300	650	650	700	608	608	220	35
143240DY	2600	650	650	700	608	608	220	35
143360DY	3600	650	650	860	608	608	220	35
143240FVI	2400	800	800	755	750	750	250	50
143300FVI	3000	800	800	755	750	750	250	50
143360FVI	3600	800	800	825	750	750	250	50
143400FVI	4000	800	800	825	750	750	250	50



Manufacturing tolerance +/- 5mm
All dimensions are in (mm)
If installed in ceiling always allow for removal for servicing.

If you cannot find a suitable lift in this range please contact us as we may be able to help.



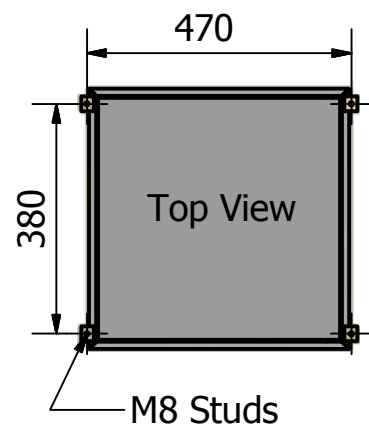
Ph: 612 4869 2100
Email: info@screeentechnics.com.au

The Concept, Design and Details in this drawing are the property of Screen Technics Pty Ltd with whom the copyright resides. They may not be reproduced without written permission of Screen Technics Pty Ltd.

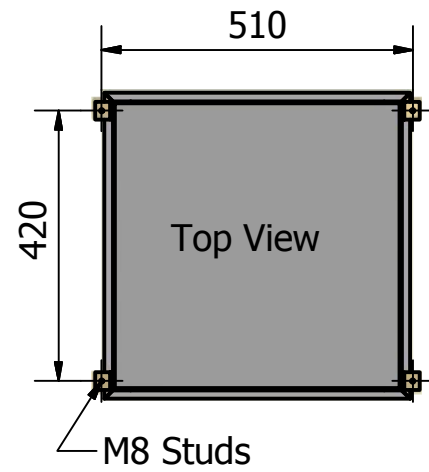
Projector Lifts

Date	Part Number	Rev	Sheet
25/03/2014	14xxxxxx	1	2 / 3

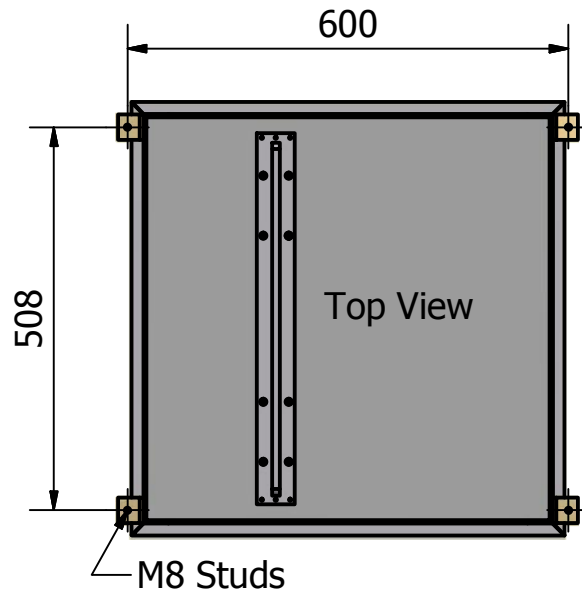
426 Lifter Stud Pattern



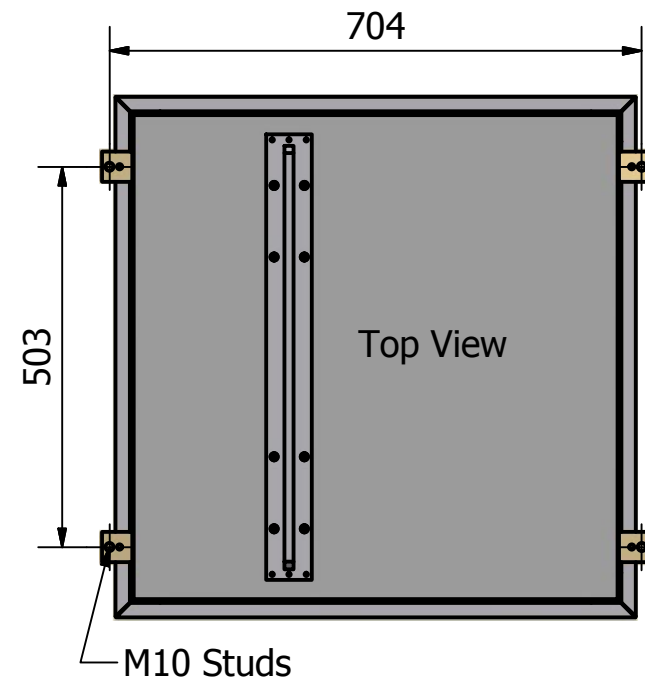
460 Lifter Stud Pattern



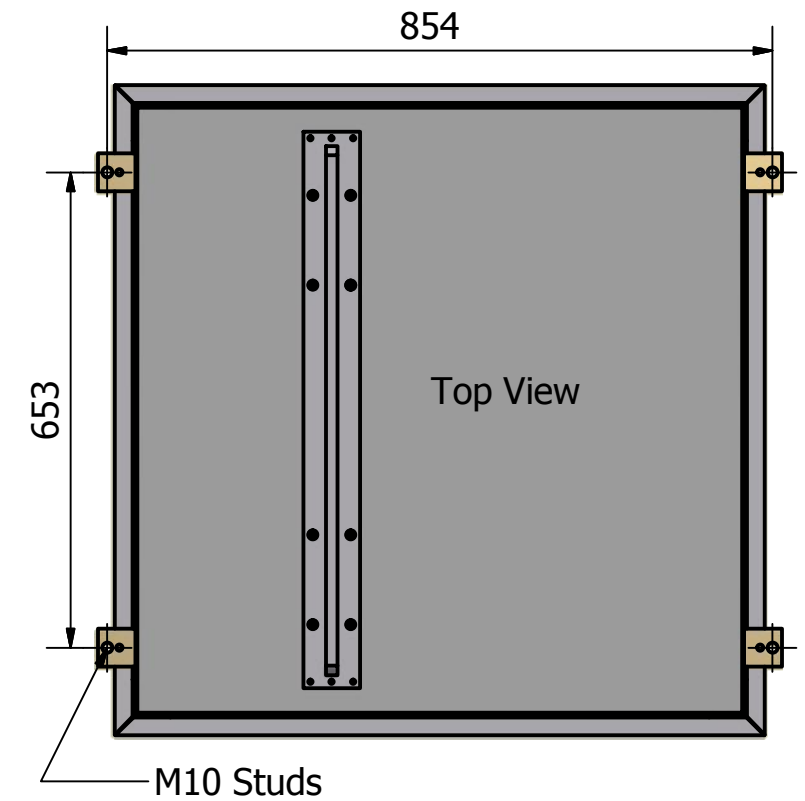
550 Lifter Stud Pattern



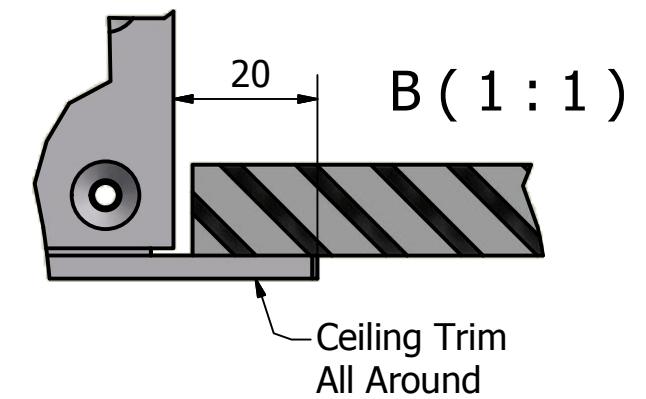
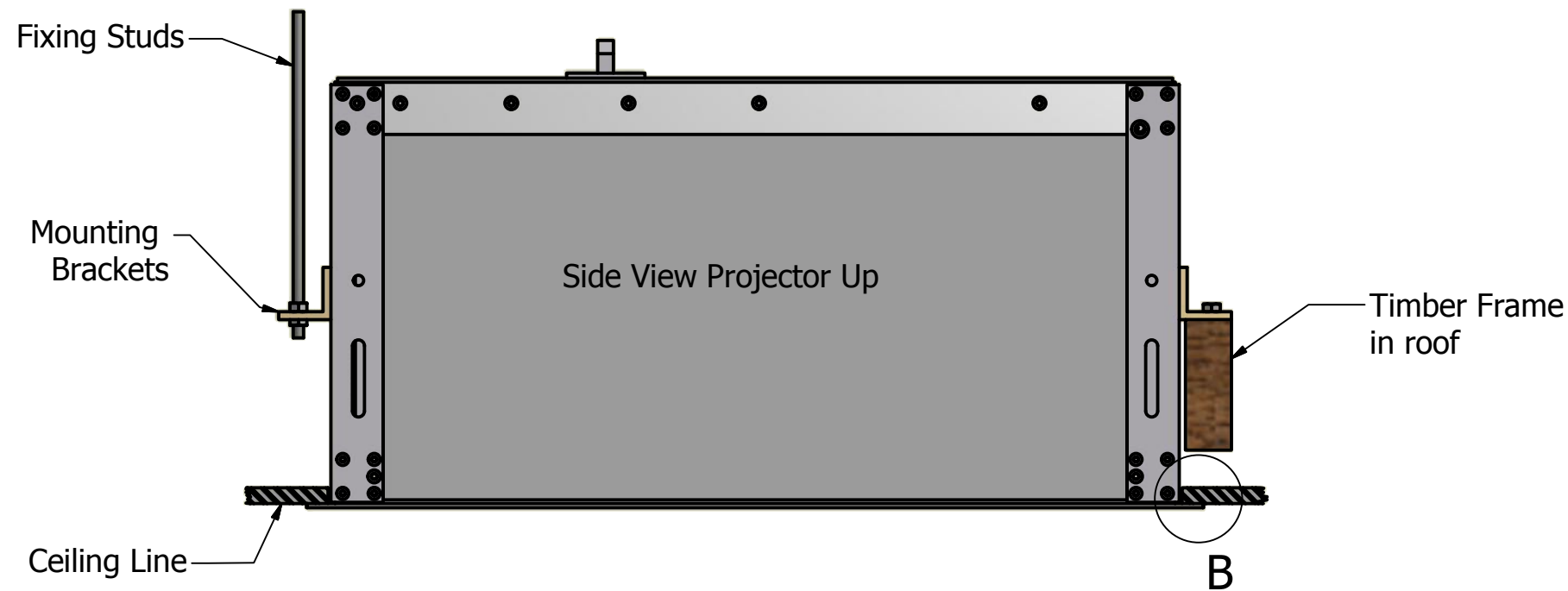
650 Lifter Stud Pattern



800 Lifter Stud Pattern



Mounting Examples



Manufacturing tolerance +/- 5mm
 All dimensions are in (mm)
 If installed in ceiling always allow
 for removal for servicing.

 Ph: 612 4869 2100 Email: info@screeentechnics.com.au <small>The Concept, Design and Details in this drawing are the property of Screen Technics Pty Ltd with whom the copyright resides. They may not be reproduced without written permission of Screen Technics Pty Ltd.</small>	Projector Lifts..			
	Date 25/03/2014	Part Number 14xxxxxx	Rev 1	Sheet 3 / 3