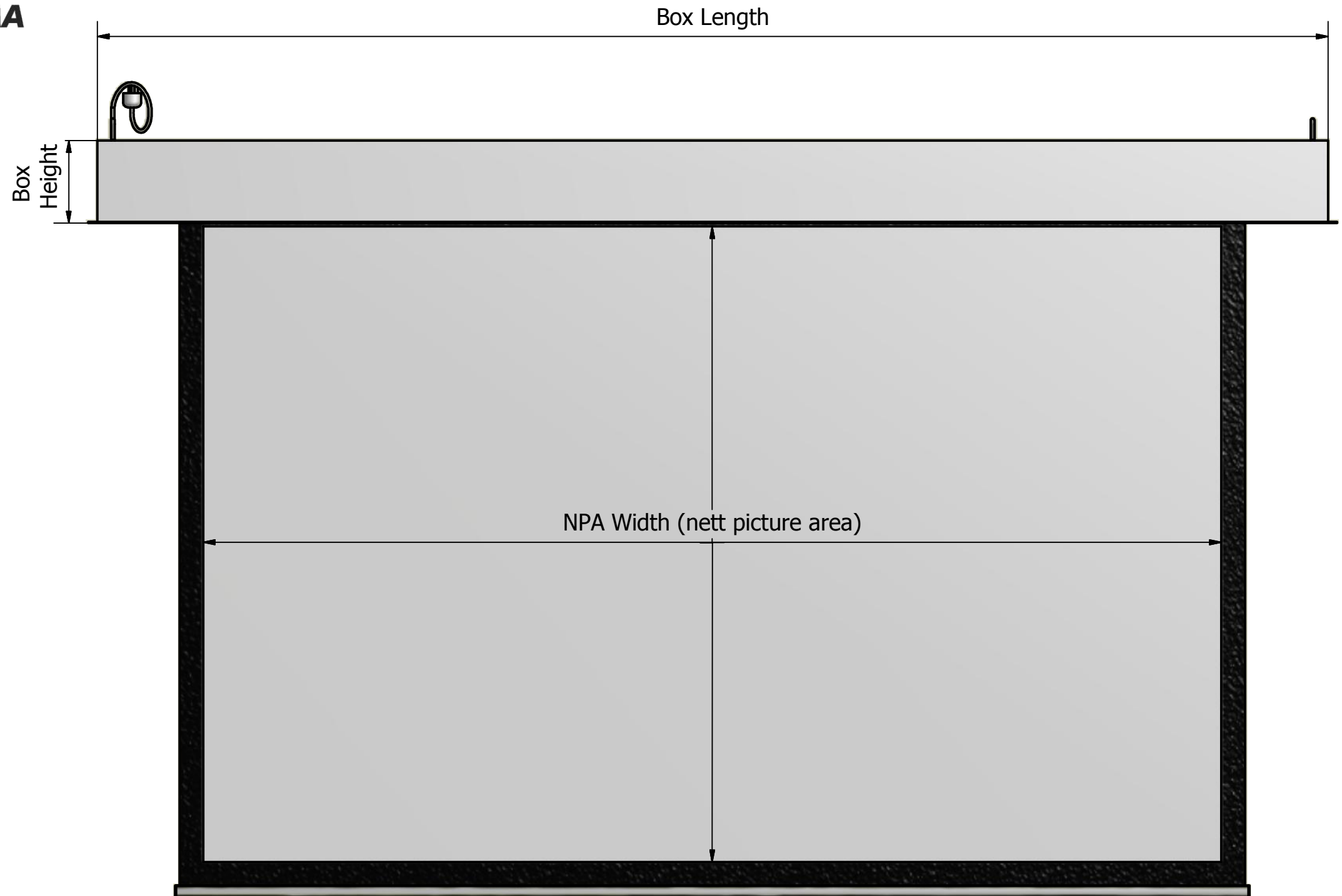
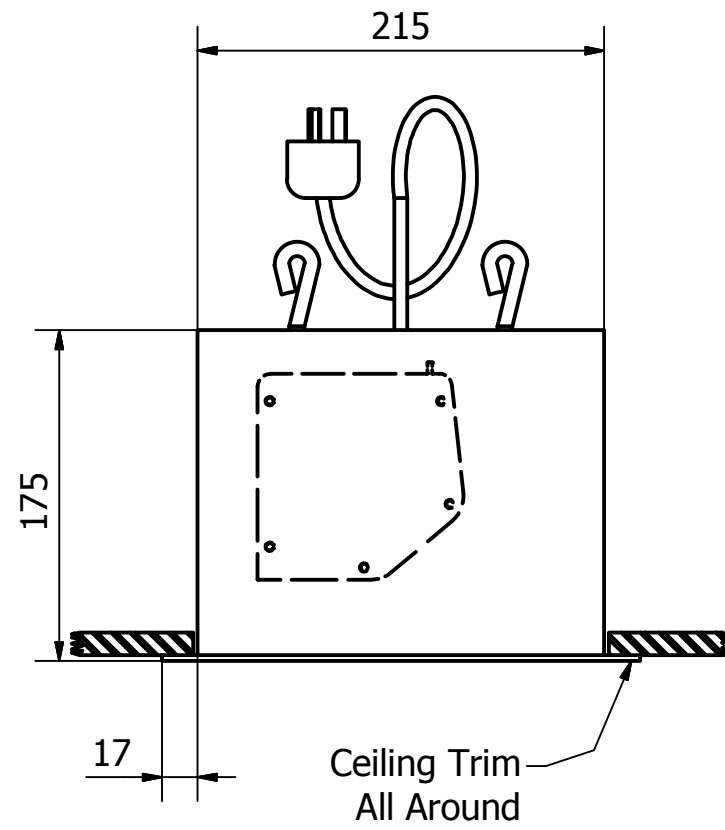




**AVAILABLE AT
DIGITAL CINEMA**



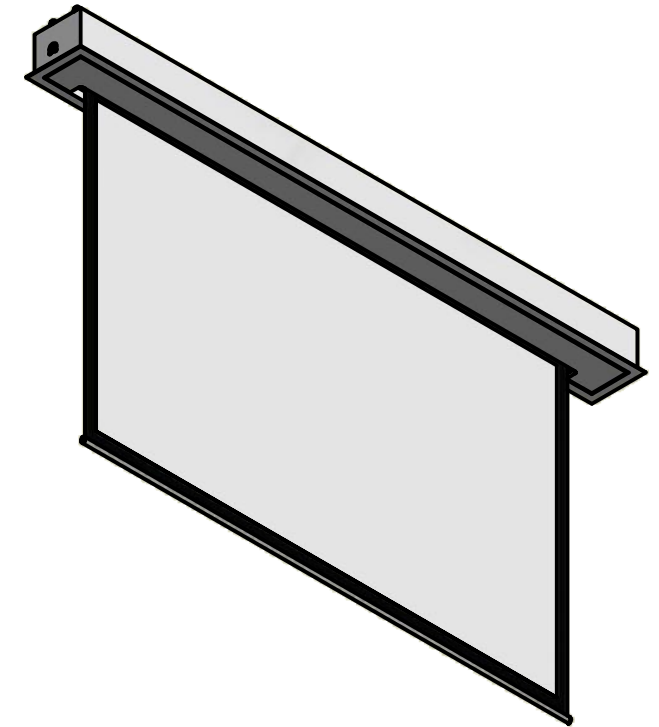
Screen supplied separately

Manufacturing tolerance +/- 5mm
All dimensions are in (mm)

| | | | | |
|--|-------------------------------------|----------------------------|----------|----------------|
| <p>Ph: 612 4869 2100 Email: info@screeentechnics.com.au</p> <p><small>The Concept, Design and Details in this drawing are the property of Screen Technics Pty Ltd with whom the copyright resides. They may not be reproduced without written permission of Screen Technics Pty Ltd.</small></p> | ViewMaster Pro Screen Box Type 1 | | | |
| | Date 6/08/2018 | Part Number VB45xxxxx-1 | Rev D | Sheet 1 / 2 |

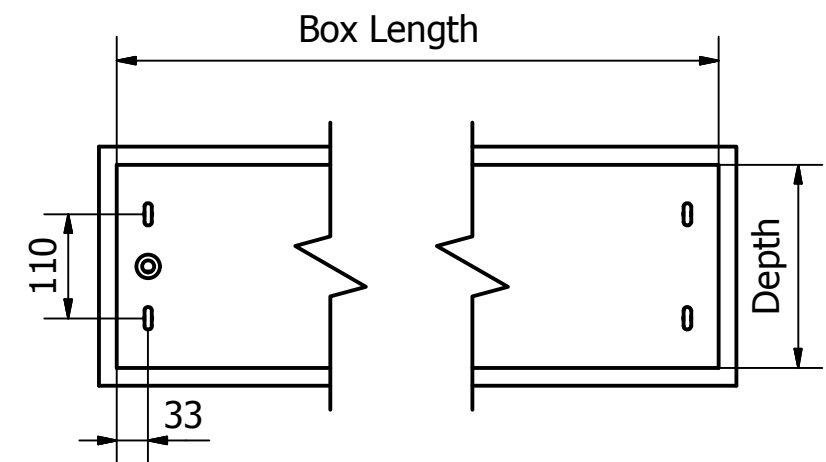
Product Features

- Description:** In-Ceiling installation with power junction and bracket system.
Box: EO Certified MDF construction with fully painted Low VOC 2 pack white underside & ceiling edge covers for easy install. Custom colours available.
Screen: Suitable only for the Viewmaster Pro range of screens.
Installation: Utilising Ø5/16 Whitworth threaded holes with either brooker rod or eye bolts to suitable structure.
Brackets: Utilises brackets supplied with Viewmaster Pro Screen.
Sizes: As Shown, Custom Sizes & Formats available upon request.



Viewmaster Pro Screen Box Type 1

| Item No | Inch Diagonal | Image Size mm | Format | Box Length mm | Box Height mm | Box Depth mm | Weight kg |
|-------------|---------------|---------------|-----------|---------------|---------------|--------------|-----------|
| VB4508419-1 | 84" | 1280 x 1705 | Video 4:3 | 2155 | 175 | 215 | 30 |
| VB4509619-1 | 96" | 1460 x 1950 | Video 4:3 | 2400 | 175 | 215 | 32 |
| VB4510019-1 | 100" | 1525 x 2035 | Video 4:3 | 2485 | 175 | 215 | 33 |
| VB4511019-1 | 110" | 1675 x 2235 | Video 4:3 | 2685 | 175 | 215 | 46 |
| VB4511519-1 | 115" | 1755 x 2340 | Video 4:3 | 2790 | 175 | 215 | 47 |
| VB4508429-1 | 84" | 1045 x 1860 | HDTV 16:9 | 2310 | 175 | 215 | 30 |
| VB4508529-1 | 85" | 1060 x 1880 | HDTV 16:9 | 2330 | 175 | 215 | 31 |
| VB4509229-1 | 92" | 1145 x 2035 | HDTV 16:9 | 2485 | 175 | 215 | 33 |
| VB4509629-1 | 96" | 1195 x 2125 | HDTV 16:9 | 2575 | 175 | 215 | 35 |
| VB4510029-1 | 100" | 1245 x 2215 | HDTV 16:9 | 2665 | 175 | 215 | 38 |
| VB4510229-1 | 102" | 1270 x 2260 | HDTV 16:9 | 2710 | 175 | 215 | 40 |
| VB4511029-1 | 110" | 1370 x 2435 | HDTV 16:9 | 2885 | 175 | 215 | 46 |
| VB4511229-1 | 112" | 1395 x 2480 | HDTV 16:9 | 2930 | 175 | 215 | 47 |
| VB4508469-1 | 84" | 1130 x 1810 | 16:10 | 2260 | 175 | 215 | 30 |
| VB4509469-1 | 94" | 1265 x 2025 | 16:10 | 2475 | 175 | 215 | 32 |
| VB4509669-1 | 96" | 1295 x 2070 | 16:10 | 2520 | 175 | 215 | 33 |
| VB4510069-1 | 100" | 1345 x 2155 | 16:10 | 2605 | 175 | 215 | 35 |
| VB4510369-1 | 103 | 1385 x 2220 | 16:10 | 2670 | 175 | 215 | 37 |
| VB4511069-1 | 110" | 1480 x 2370 | 16:10 | 2820 | 175 | 215 | 45 |
| VB4511569-1 | 115" | 1550 x 2480 | 16:10 | 2930 | 175 | 215 | 47 |



Captive Nut Positions
Ø5/16" Whitworth

Manufacturing tolerance +/- 5mm
 All dimensions are in (mm)
 When installed allow extra cable
 for screen removal.