



Ready to be Assembled



Cable Management System



Max Weight
Top 50Kgs / Other 30Kgs



Anti-Tip Strapping

ITEM CODE:

BROADWAY HiFi BLK

550W x 550D x 1030H mm

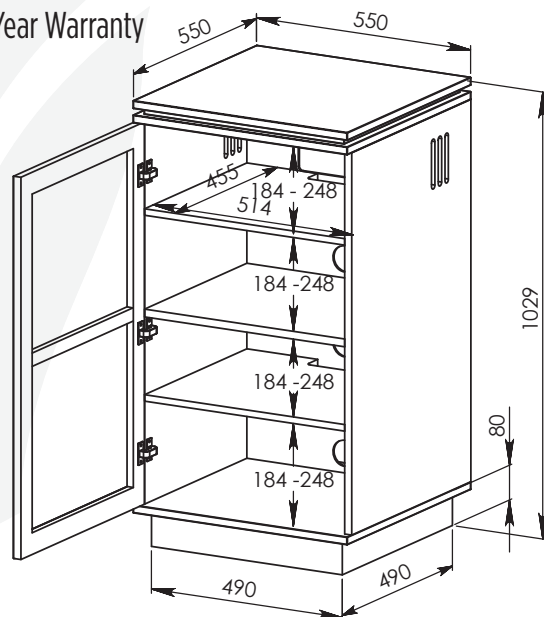
1 x Speaker Cloth Door

2 x Adjustable Shelves

1 x Fixed Shelf

Cable Management

1 Year Warranty



**DIGITAL
CINEMA**

**AVAILABLE AT
DIGITAL CINEMA**



Matching Furniture
1800mm & 2250mm TV Cabinets



BROADWAY1800BLK



BROADWAY2250BLK