

# TITAN HI-FI WHT

# TAURIS



Ready to be Assembled



Tempered Safety Glass



Cable Management System



IR Friendly



Max Weight  
Top 50Kgs / Shelf 30Kgs

ITEM CODE:

## TITAN HI-FI WHT

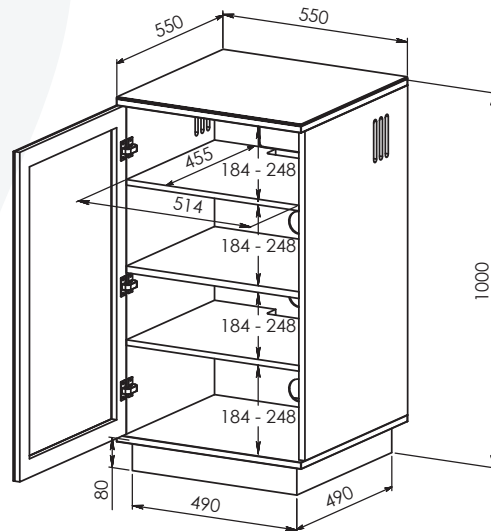
550W x 550D x 1000H mm

Tempered Safety Glass

IR Friendly Door

2 Adjustable & 1 Fixed Shelves

1 Year Warranty



**DIGITAL  
CINEMA**

**AVAILABLE AT  
DIGITAL CINEMA**



[www.rvm.com.au](http://www.rvm.com.au)

DISTRIBUTED BY RVM AUSTRALIA t: (08) 9417 9944 e: sales@rvm.com.au